

STEP 3: BRING IT TO LIFE!

After 10 minutes, the fan and light will turn off automatically. You can remove your item by pressing on the drawer to pop it open again. After removing the tray from the Crafting Table, turn off the power.

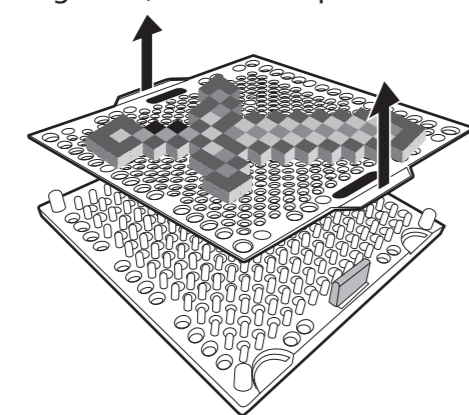
DO NOT remove your item by picking it up directly. Instead, carefully peel your item from the pins by lifting up the cover until the cover slides from the tray.

NOTE: The longer you allow your item to dry, the more solid it will become. After 24-hours, it should be completely dry.

The crafting cubes are considered to be “dry” when they are no longer sticky to the touch. Keep finished items away from water.

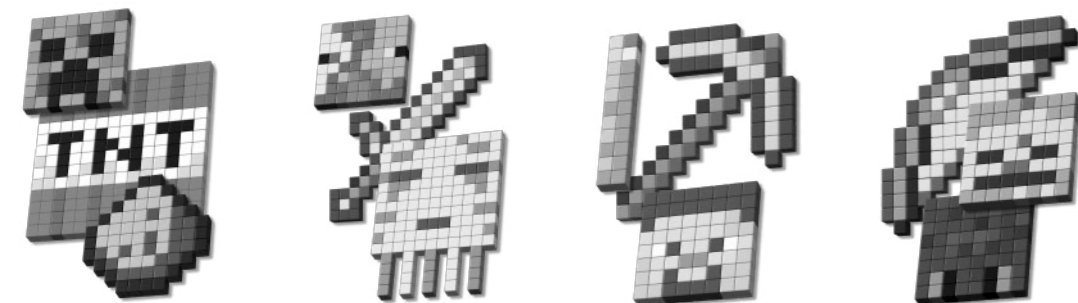
TROUBLESHOOTING

If any of the crafting cubes are loose, or if the item you have created breaks, you can simply reassemble it. Place the crafting cubes back in position, spray the item again, then repeat the drying process.



Lift cover to remove item from pins.

The Crafting Table is compatible with Crafting Cubes Design Kits (sold separately).



FOR PRODUCT SOLD IN USA

This device complies with Part 15 of the FCC Rules.

Operation is subject to the following two conditions:

- (1) This device may not cause harmful interference, and (2) this device must accept any interference received, including interference that may cause undesired operation.
- This equipment has been tested and found to comply with the limits for a Class B digital device, pursuant to part 15 of the FCC rules. These limits are designed to provide reasonable protection against harmful interference in a residential installation. This equipment generates, uses and can radiate radio frequency energy and, if not installed and used in accordance with the instructions, may cause harmful interference to radio communications. However, there is no guarantee that interference will not occur in a particular installation. If this equipment does cause harmful interference to radio or television reception, which can be determined by turning the equipment off and on, the user is encouraged to try to correct the interference by one or more of the following measures:
 - Reorient or relocate the receiving antenna.
 - Increase the separation between the equipment and receiver.
 - Connect the equipment into an outlet on a circuit different from that to which the receiver is connected.
 - Consult the dealer or an experienced radio/TV technician for help.

NOTE: Changes or modifications not expressly approved by the manufacturer responsible for compliance could void the user's authority to operate the equipment.

FOR PRODUCT SOLD IN CANADA

CAN ICES-3 (B)/NMB-3(B)

Operation is subject to the following two conditions:

- (1) this device may not cause interference, and (2) this device must accept any interference, including interference that may cause undesired operation of the device.

Protect the environment by not disposing of this product with household waste (2012/19/EU). Check your local authority for recycling advice and facilities.

SAFETY TESTED.

©2015 Mattel. All Rights Reserved. Mattel, Inc., 636 Girard Avenue, East Aurora, NY 14052, U.S.A. Consumer Services 1-800-524-8697. Mattel U.K. Ltd., Vanwall Business Park, Maidenhead SL6 4UB. Helpline 01628 500303. Mattel Australia Pty. Ltd., Richmond, Victoria, 3121. Consumer Advisory Service - 1300 135 312. Mattel East Asia Ltd., Room 503-09, North Tower, World Finance Centre, Harbour City, Tsingshatui, HK, China. Tel: (852) 3185-6500. Dilimport & Diedarkan Oleh: Mattel Southeast Asia Pte. Ltd., No 19-1, Tower 3 Avenue 7, Bangsar South City, No 8, Jalan Kerinchi, 59200 Kuala Lumpur, Malaysia. Tel: 03-78803817, Fax: 03-78803867.

© & TM Notch Development AB and Mojang AB. All Rights Reserved.



CIM12-0970
1100665435-DDM

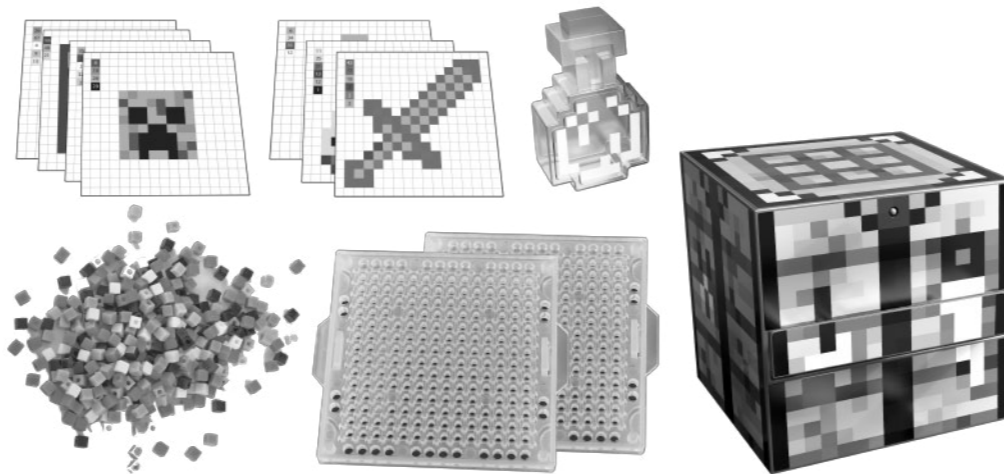


CRAFTING TABLE

INSTRUCTIONS

Contents:

- 1 Crafting Table
- 1100+ Crafting Cubes
- 7 Template Cards (double-sided for 14 patterns)
- 2 Trays
- 1 Spray Bottle



Water toys sometimes get messy. Protect play surfaces before use.

Drain, rinse, clean and dry all items thoroughly before storing.

Wash hands with soap and water after play.

Please remove everything from the package and compare to the contents shown here. If any items are missing, please contact your local Mattel office. Keep these instructions for future reference as they contain important information.

BATTERY INFORMATION

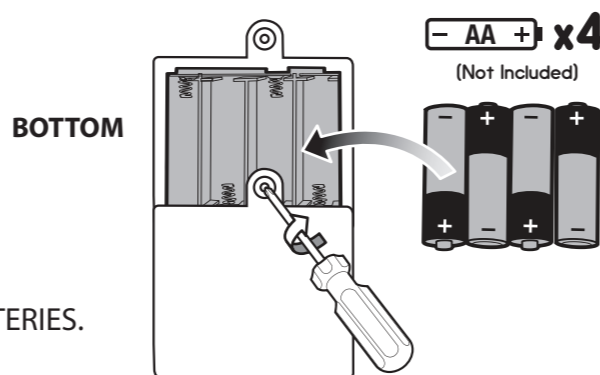
Requires 4 “AA” Alkaline batteries (not included).

For longer life use only alkaline batteries.

If toy malfunctions, check the battery installation.

BATTERIES SHOULD BE CHANGED WHEN FAN SLOWS DOWN.

ADULT SUPERVISION RECOMMENDED WHEN CHANGING BATTERIES.



BATTERY SAFETY INFORMATION

In exceptional circumstances batteries may leak fluids that can cause a chemical burn injury or ruin your product. To avoid battery leakage:

- Non-rechargeable batteries are not to be recharged.
- Rechargeable batteries are to be removed from the product before being charged (if designed to be removable).
- Rechargeable batteries are only to be charged under adult supervision (if designed to be removable).
- Do not mix alkaline, standard (carbon-zinc), or rechargeable (nickel-cadmium) batteries.
- Do not mix old and new batteries.
- Only batteries of the same or equivalent type as recommended are to be used.
- Batteries are to be inserted with the correct polarity.
- Exhausted batteries are to be removed from the product.
- The supply terminals are not to be short-circuited.
- Dispose of batteries safely.
- Do not dispose of this product in a fire. The batteries inside may explode or leak.

THE CRAFTING TABLE

Build up your inventory by crafting everything from axes to potions to swords in a FEW SIMPLE STEPS!

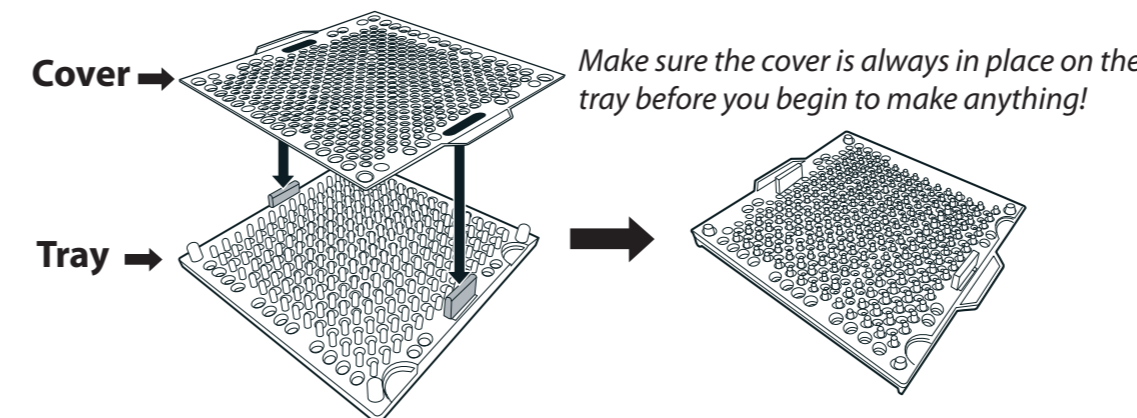
STEP 1: BUILD IT!

Build whatever you can imagine by arranging crafting cubes on one of the trays. You can follow a template or make up your own design.

Note: If you follow the templates, you will have enough crafting cubes to make each pattern once.

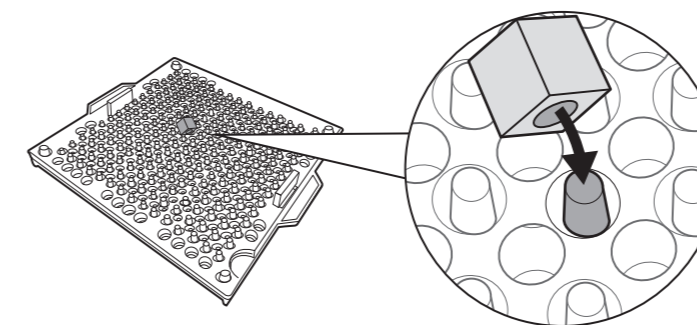
The Trays

Each tray comes with a cover – the holes in the cover fit over the pegs on the tray.

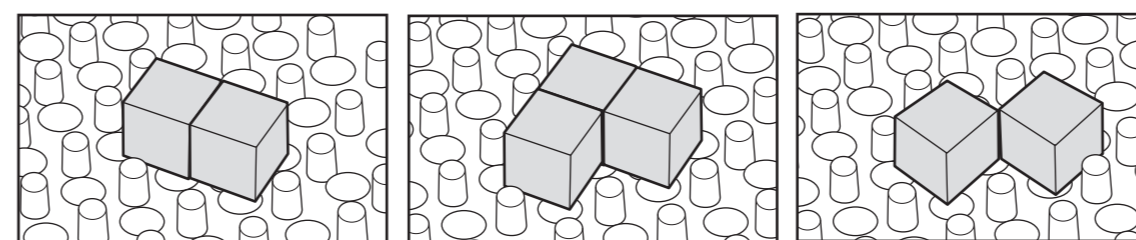


Positioning Crafting Cubes

Each crafting cube has a hole on one side. Just slide the crafting cubes onto the pegs in the tray to hold them in place.

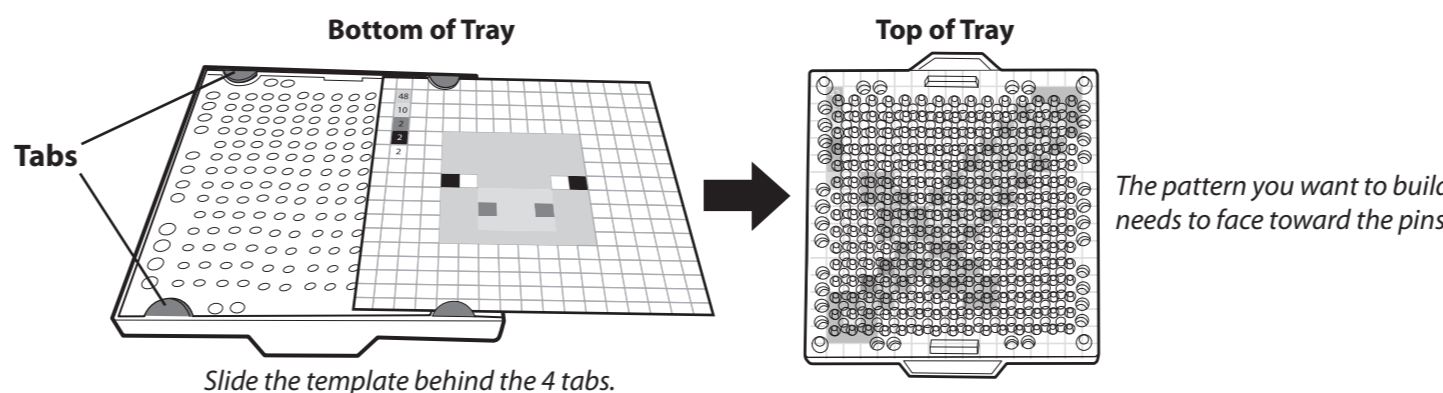


When placing crafting cubes next to each other, make sure their flat sides are touching – if the cubes are not in face-to-face contact but only touching at the corners, they will not stick together.



Using a Template

If you don't want to create an item from scratch, you can use one of the included templates. Just slide the template into the bottom of the tray with the pattern you want to build facing toward the pins – make sure you place the template behind the 4 tabs on the back of the tray.



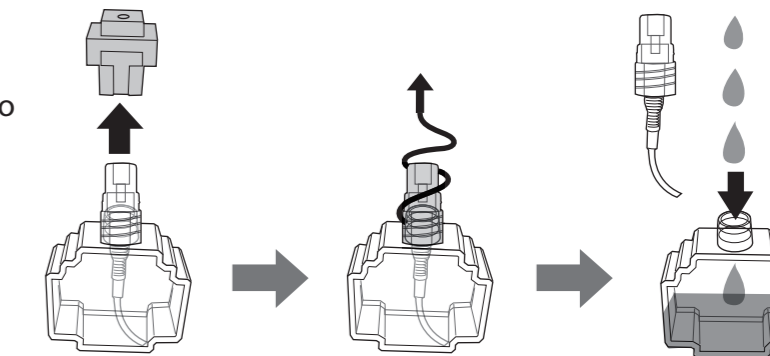
Now you can match the colors of the crafting cubes to the colors on the template and create anything from a Creeper to a Diamond Sword!

STEP 2: BOND IT!

Once you've finished building your masterpiece, use the “potion bottle” to spray your creation with water.

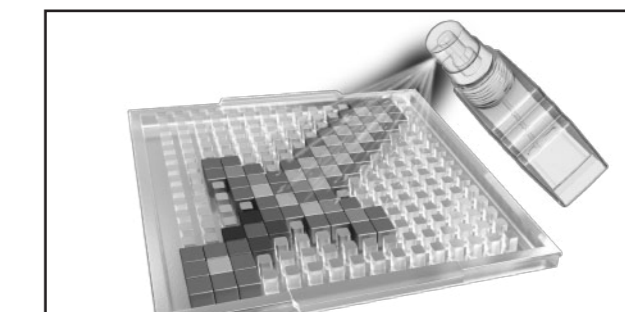
First, Fill the Potion Bottle

Pull off the top and fill the bottle with water. When you replace the cap, make sure it is tight so the bottle doesn't leak.



Second, Spray the Tray

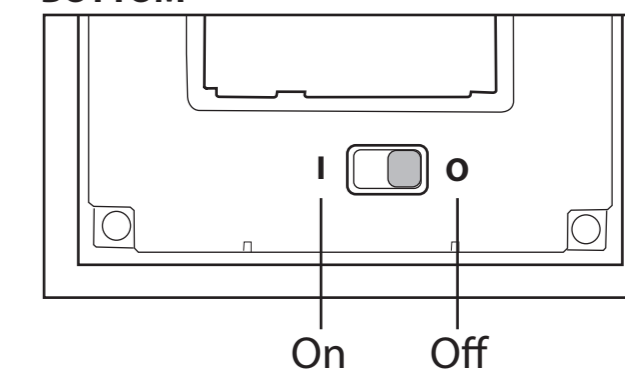
While holding the bottle at a 45% angle, press down on the top of the bottle to spray the tray. Spray 10 to 15 times, depending on the size of your item, until all of the crafting cubes are wet.



Third, Activate the Crafting Table

Move the power switch to the “ON” position. At this point, nothing will happen.

BOTTOM

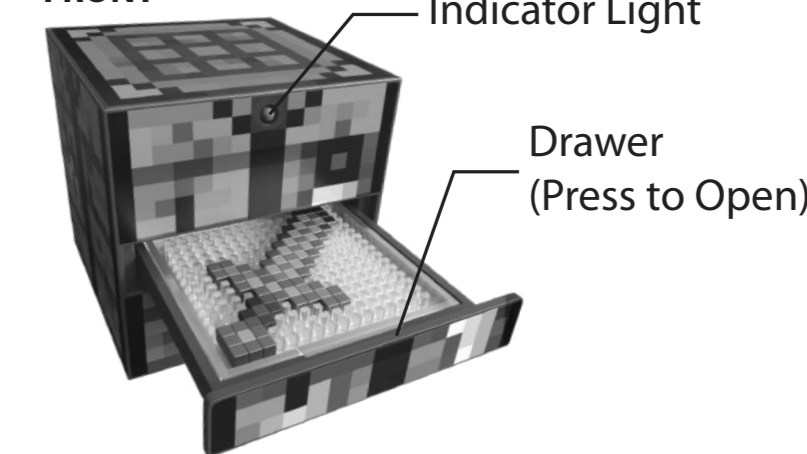


Press the drawer in slightly to pop it open.

Place the tray on the drawer then slide the drawer in until it clicks shut.

The drier fan will automatically activate and the red indicator light will begin to glow. As the crafting cubes dry, they will bond together.

FRONT



INSTRUCTION SHEET SPECIFICATIONS

Toy: _____ Crafting Cubes Design Kit
 Toy No.: _____ CIM12-0970
 Part No.: _____
 Trim Size: _____ A3
 Folded Size: _____ 140mm x 210mm
 Type of Fold: _____ 2 Folding
 # Colors: _____ One
 Colors: _____ BLACK
 Paper Stock: _____ White Offset
 Paper Weight: _____ Ref. to PC
 EDM No.: _____ 001