

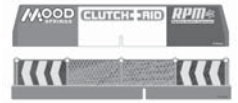
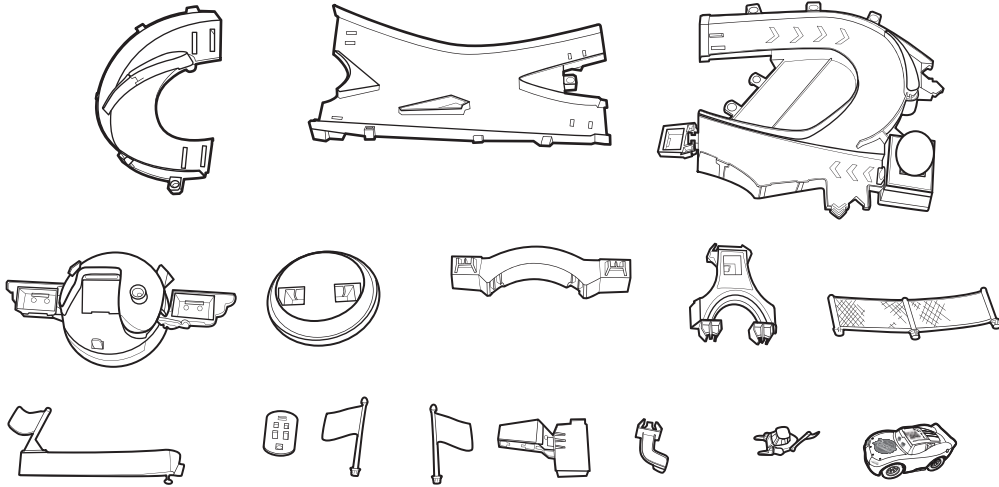


# ULTIMATE PISTON CUP SPEEDWAY INSTRUCTIONS

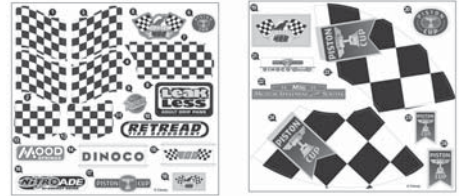
4+

## CONTENTS

**WARNING:**  
CHOKING HAZARD - Small parts.  
Not for children under 3 years.

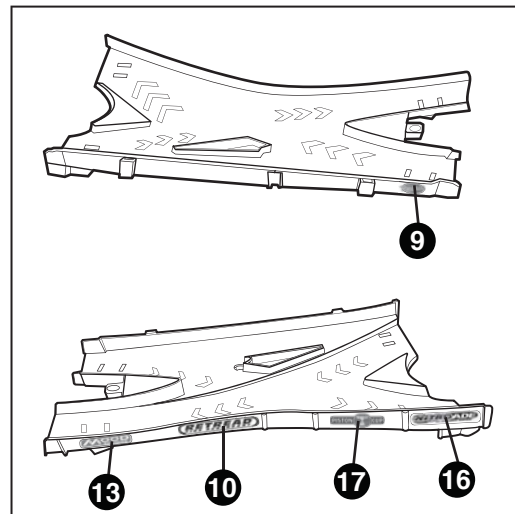
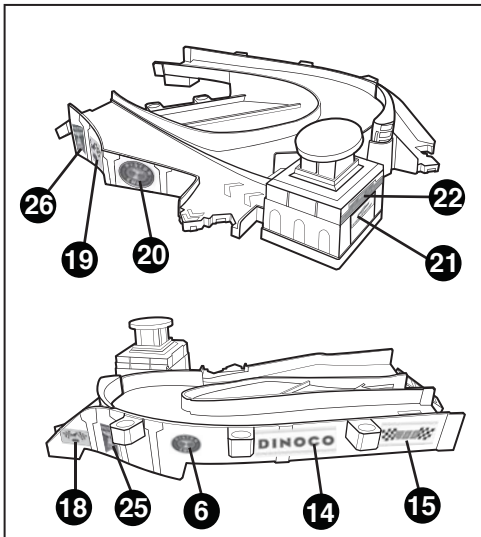
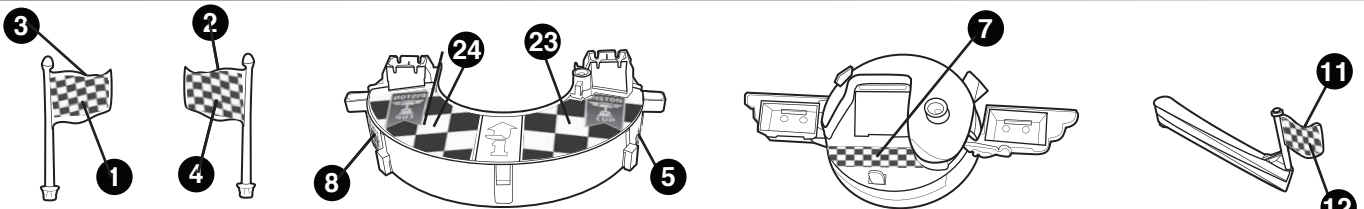


Chip Art



Label Sheet

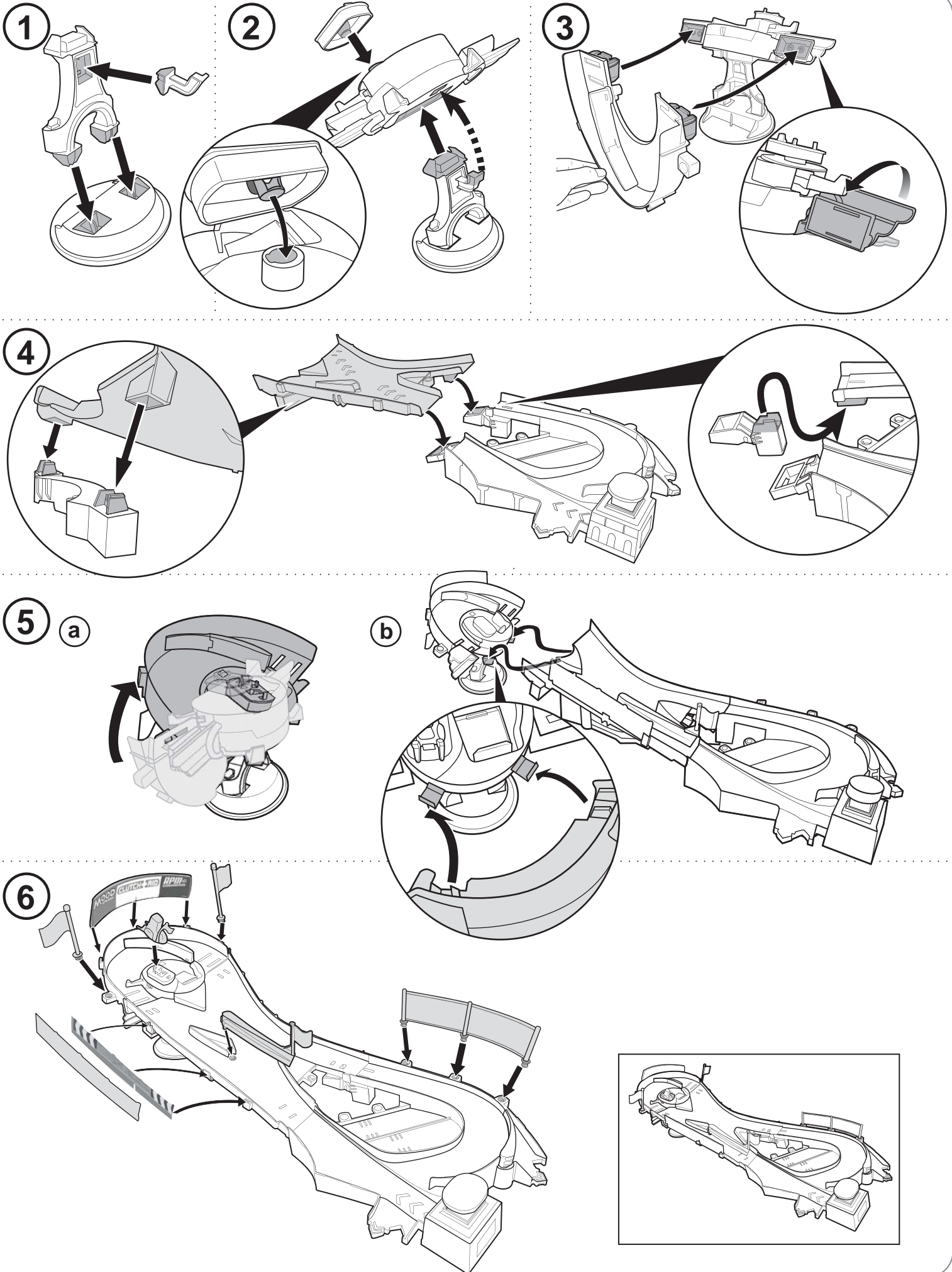
## 1 / APPLY LABELS



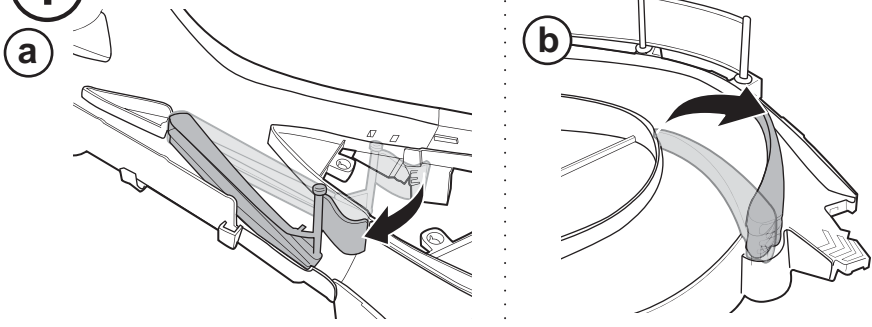
©2015 Mattel. All Rights Reserved. ® and ™ designate U.S. trademarks of Mattel, except as noted.  
Mattel, Inc., 636 Girard Avenue, East Aurora, NY 14052, U.S.A. Consumer Services 1-800-524-8697. Mattel U.K. Ltd., Vanwall Business Park, Maidenhead SL6 4UB. Helpline 01628 500303. Mattel Australia Pty., Ltd., Richmond, Victoria. 3121. Consumer Advisory Service - 1300 135 312. Mattel East Asia Ltd., Room 503-09, North Tower, World Finance Centre, Harbour City, Tsimshatsui, HK, China. Tel.: (852) 3185-6500. Diimport & Diedarkan Oleh: Mattel Southeast Asia Pte. Ltd., No 19-1, Tower 3 Avenue 7, Bangsar South City, No 8, Jalan Kerinchi, 59200 Kuala Lumpur, Malaysia. Tel: 03-78803817, Fax: 03-78803867.



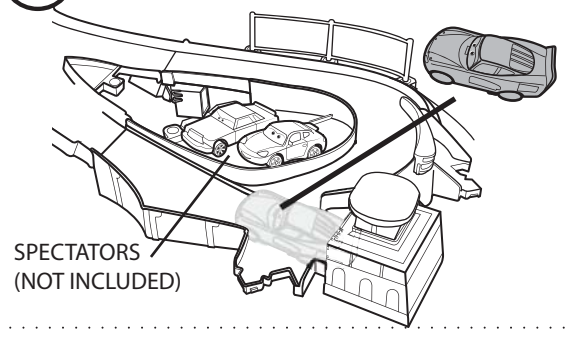
# 2 / ASSEMBLY



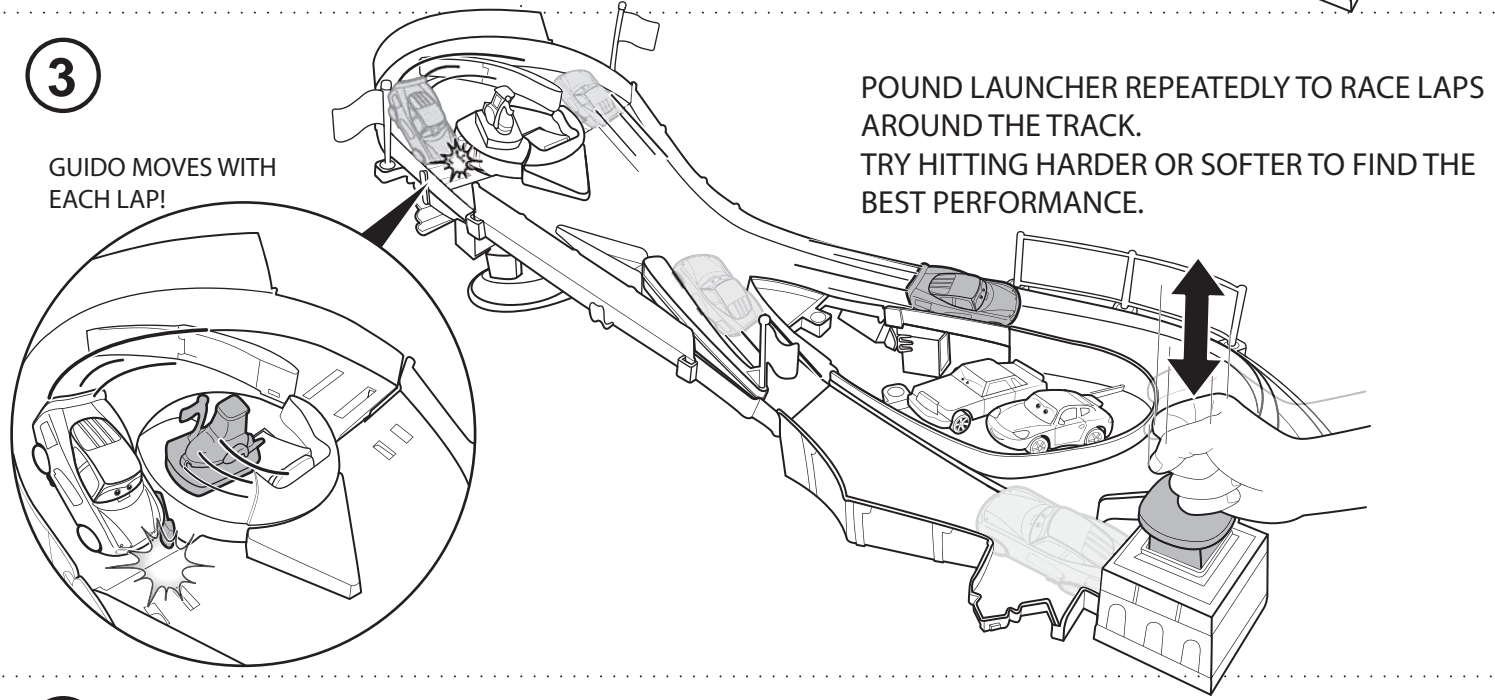
**1** MOVE DIVERTERS TO SET UP THE TRACK.



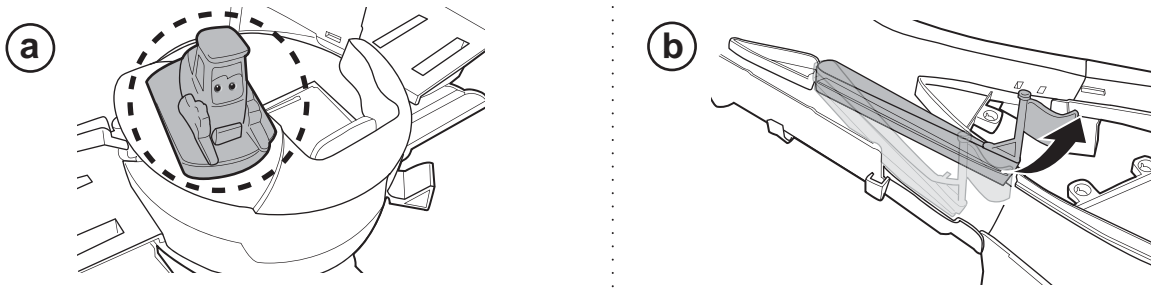
**2** LOAD CAR.



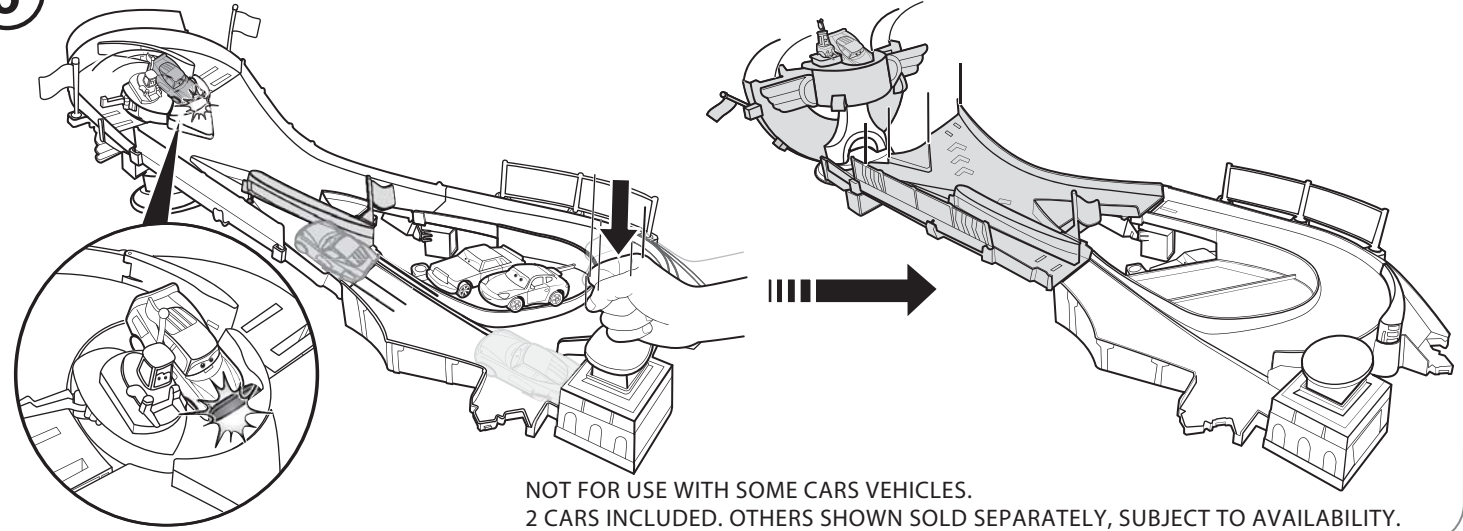
**3** GUIDO MOVES WITH EACH LAP!



**4** WHEN GUIDO FACES FORWARD, STOP RACING AND SWITCH TO THE OTHER LANE.



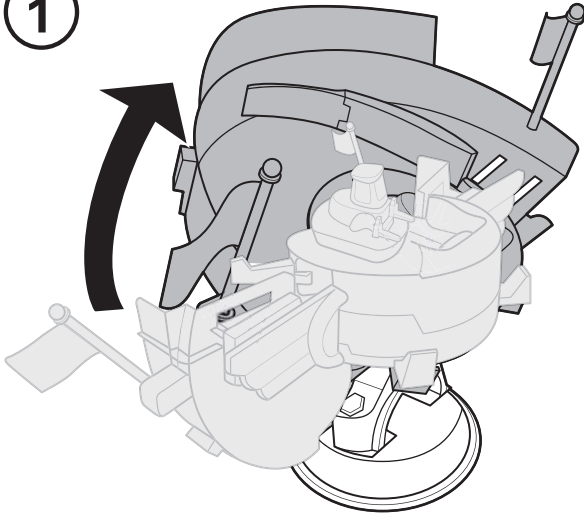
**5** LAUNCH CAR INTO THE WINNER'S CIRCLE TO REVEAL THE PISTON CUP!



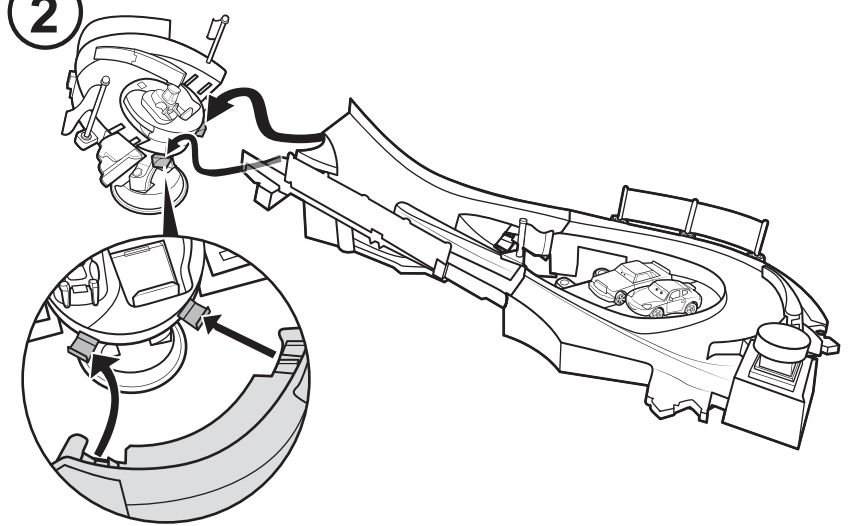
NOT FOR USE WITH SOME CARS VEHICLES.  
2 CARS INCLUDED. OTHERS SHOWN SOLD SEPARATELY, SUBJECT TO AVAILABILITY.

# 4 / RESET

1



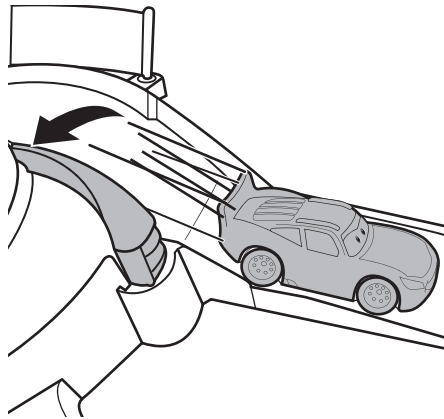
2



# 5 / MORE WAYS TO PLAY

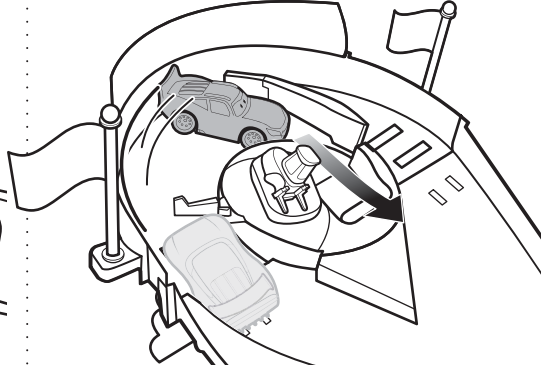
1

SWITCH LANE TO PLAY WITH OTHER SETS (SOLD SEPARATELY).



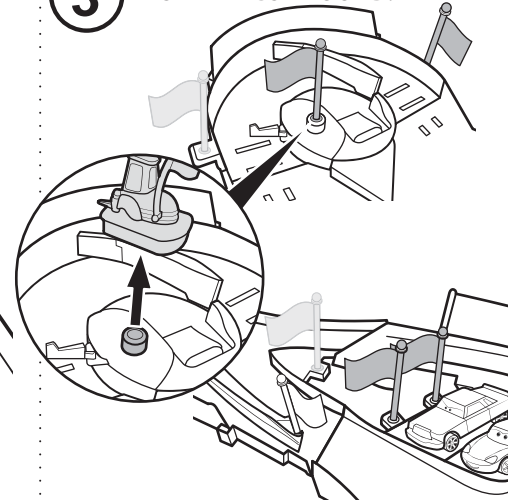
2

HOP OVER THE JUMP RAMP!

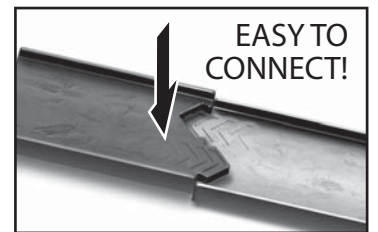
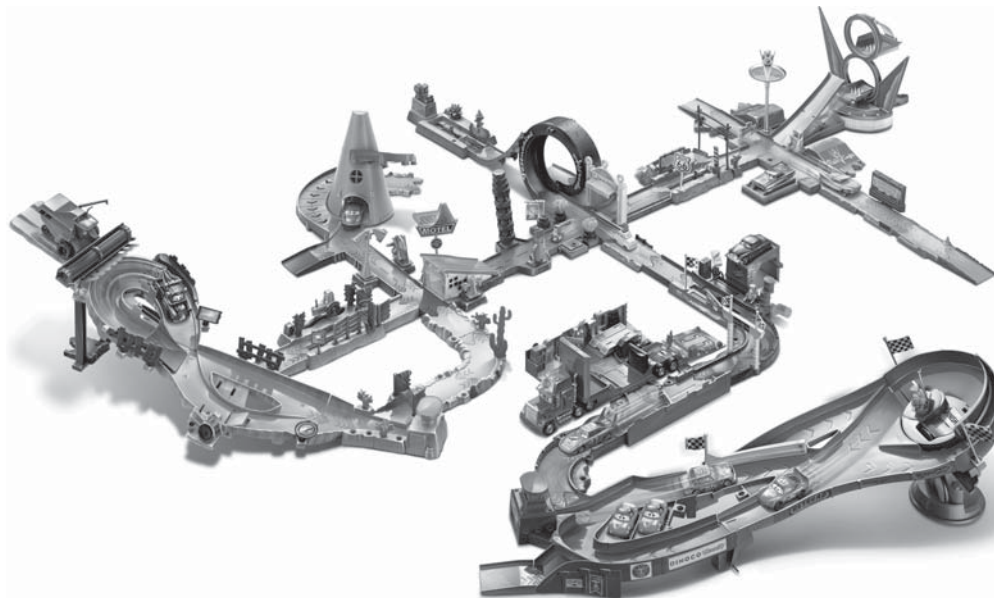


3

MOVE FLAGS AROUND.



# 6 / COLLECT & CONNECT STORY SETS



PLAYSETS WITH VEHICLES EACH SOLD SEPARATELY, SUBJECT TO AVAILABILITY.