



1 Lay, play & listen!



2 Tummy time fun!



3 Discover & explore!

Keep this instruction sheet for future reference,
 as it contains important information.
 Adult assembly/setup is required. No tools are needed for assembly.
 Requires three AA batteries (included).
 Batteries included are for demonstration purposes only.
 Tool required for battery replacement:
 Phillips screwdriver (not included).

Consumer Information



CONSUMER ASSISTANCE

1-800-432-5437 (US & Canada)
1300 135 312 (Australia)

service.fisher-price.com

Fisher-Price, Inc., 636 Girard Avenue, East Aurora, NY 14052.
Hearing-impaired consumers: 1-800-382-7470.

Outside the United States:

Canada: Mattel Canada Inc., 6155 Freemont Blvd.,
Mississauga, Ontario L5R 3W2; www.service.mattel.com.

Great Britain: Mattel UK Ltd, Vanwall Business Park,
Maidenhead SL6 4UB. Helpline: 01628 500303.
www.service.mattel.com/uk

Mattel Europa B.V., Gonde1 1, 1186 MJ Amstelveen, Nederland.

Australia: Mattel Australia Pty. Ltd., 658 Church Street,
Locked Bag #870, Richmond, Victoria 3121 Australia.

New Zealand: 16-18 William Pickering Drive,
Albany 1331, Auckland.

CAN ICES-3 (B)/NMB-3 (B)

Operation is subject to the following two conditions: (1) this device may not cause interference, and (2) this device must accept any interference, including interference that may cause undesired operation of the device.

L'utilisation de ce dispositif est autorisée seulement aux conditions suivantes : (1) il ne doit pas produire de brouillage et (2) il doit pouvoir tolérer tout brouillage radioélectrique reçu, même si ce brouillage est susceptible de compromettre son fonctionnement.

FCC STATEMENT (UNITED STATES ONLY)

This equipment has been tested and found to comply with the limits for a Class B digital device, pursuant to Part 15 of the FCC rules. These limits are designed to provide reasonable protection against harmful interference in a residential installation. This equipment generates uses and can radiate radio frequency energy and, if not installed and used in accordance with the instructions, may cause harmful interference to radio communications. However, there is no guarantee that interference will not occur in a particular installation. If this equipment does cause harmful interference to radio or television reception, which can be determined by turning the equipment off and on, the user is encouraged to try to correct the interference by one or more of the following measures:

- Reorient or relocate the receiving antenna.
- Increase the separation between the equipment and receiver.
- Consult the dealer or an experienced radio/TV technician for help.

NOTE: Changes or modifications not expressly approved by the manufacturer responsible for compliance could void the user's authority to operate the equipment.

This device complies with Part 15 of the FCC Rules. Operation is subject to the following two conditions: (1) This device may not cause harmful interference, and (2) this device must accept any interference received, including interference that may cause undesired operation.

Battery Replacement



For longer life, use **alkaline** batteries.



- Locate the battery compartment door on the back of Puppy.
 - Loosen the screws in the battery compartment door with a Phillips screwdriver and remove the door. Remove the exhausted batteries and dispose properly.
 - Insert three, new AA (LR6) **alkaline** batteries.
 - Replace the battery compartment door and tighten the screws. Do not over-tighten.
 - If this toy begins to operate erratically, you may need to reset the electronics. Slide the power/volume switch off and back on.
 - When sound/light becomes faint or stops, it's time for an adult to change the batteries.
-  • Protect the environment by not disposing of this product with household waste (2012/19/EU). Check your local authority for recycling advice and facilities.

Battery Safety Information

In exceptional circumstances, batteries may leak fluids that can cause a chemical burn injury or ruin your product. To avoid **battery leakage**:

- Do not mix old and new batteries or batteries of different types: alkaline, standard (carbon-zinc) or rechargeable (nickel-cadmium).
- Insert batteries as indicated inside the battery compartment.
- Remove batteries during long periods of non-use. Always remove exhausted batteries from the product. Dispose of batteries safely. Do not dispose of this product in a fire. The batteries inside may explode or leak.
- Never short-circuit the battery terminals.
- Use only batteries of the same or equivalent type, as recommended.
- Do not charge non-rechargeable batteries.
- Remove rechargeable batteries from the product before charging.
- If removable, rechargeable batteries are used, they are only to be charged under adult supervision.

Power/Volume



- Slide the power/volume switch on Puppy to ON with low volume ◀), ON with high volume ▶) or OFF ○.

Mode



- Slide the mode switch on Puppy to short play mode 🎵 or long play mode 🎵🎵.

Assembled Parts



4 Toys



Mirror Toy



3 Links

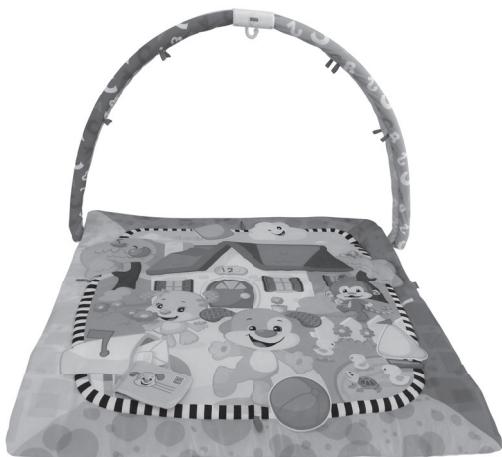


Base

(The base is attached to the Puppy activation pad with a plastic fastener. Please cut the fastener with scissors and follow the assembly instructions to assemble the base to the bottom of the Puppy toy.)

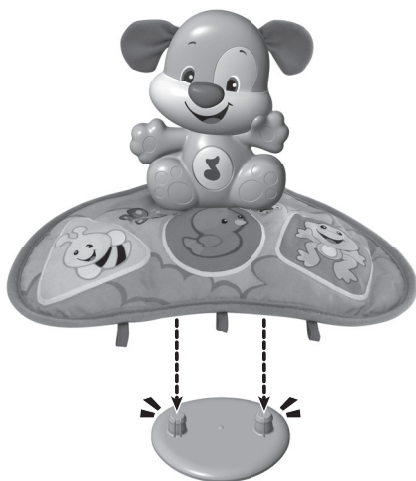


Puppy Toy



Mat with Arches

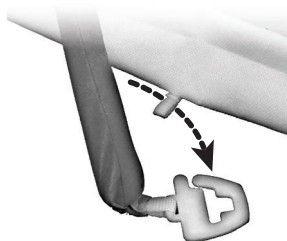
One-Time Assembly



- “Snap” the base to Puppy’s activation pad.

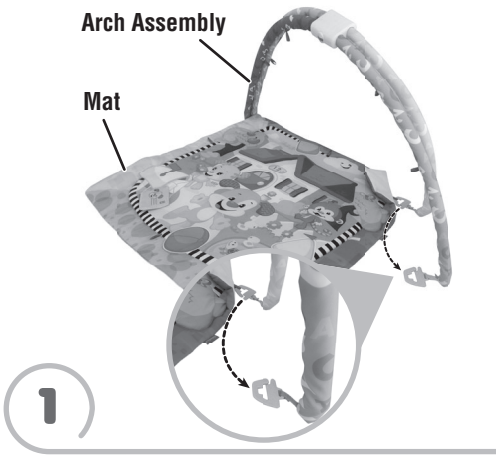
Care

The mat is machine washable. Remove the arch assembly from the mat.



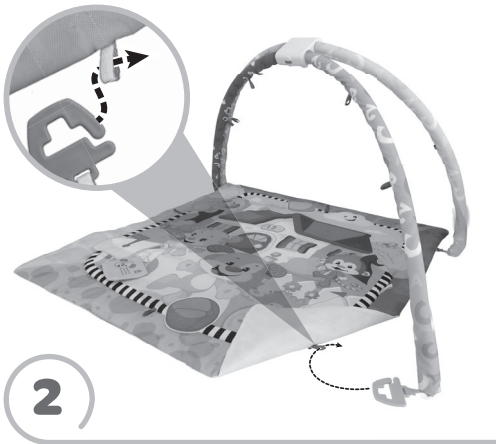
- While holding the arches together, carefully unfasten the hook on each end of the arches.
- Machine wash the mat in cold water on the gentle cycle. Do not use bleach. Tumble dry on low heat.
- The arch assembly, the Puppy toy, links and toys are surface washable only. Wipe with a clean cloth dampened with a mild soap and water solution. Do not immerse.

Setup

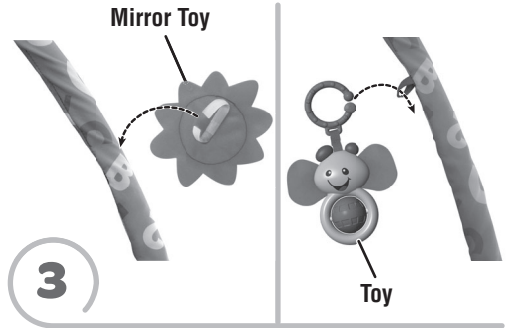


- Locate the hooks on the end of the arches and loops underneath the mat. The hook straps and the loops are different colors. When properly assembled, the hook strap color will match the loop color.
- While holding the end of an arch, carefully unfasten the hook with the strap that is connected the other arch.

Hint: This should be the hook that does not match the loop.



- Next, fasten the hook with the strap that matches the color of the loop on the other end of the mat.
- Repeat this procedure to assemble the hook to the loop on the other side of the mat.



- Wrap the straps on the mirror toy around an arch or a loop and close the fasteners.
- Clip the toys and links to the loops around the gym or to the loops on Puppy's activation pad.

Hint: There are more loops on the gym and Puppy's activation pad than toys and links.

Musical mat play grows with baby!



WARNING

To prevent entanglement injury, never place the gym in a crib or playpen. Never add strings, ties or other products to the gym.



- In long play mode 🎵, press the buttons on Puppy's activation pad or Puppy's belly for first words, phrases and songs!



- In short play mode 🎵, listen to 20 minutes of continuous music and songs!



- As baby grows, remove the arches so baby can sit up and play!
- Play with Puppy on the mat or take Puppy along for music and fun on the go!