



FGG45, FGG46, FGG47,
FGG48, FVY53, FVY54,
FVY57, FVY58



Keep this instruction sheet for future reference,
as it contains important information
Adult assembly is required.

Requires three AA batteries (included).

Batteries included are for demonstration purposes only.

Battery replacement is required. Only adults should replace batteries.

Tool required for battery replacement and assembly: Phillips screwdriver (not included).

fisher-price.com

Consumer Information

?

CONSUMER ASSISTANCE

1-800-432-5437 (US & Canada)
1300 135 312 (Australia)

service.fisher-price.com

Fisher-Price, Inc., 636 Girard Avenue, East Aurora, NY 14052.
Hearing-impaired consumers: 1-800-382-7470.

Outside the United States:

Canada: Mattel Canada Inc., 6155 Freemont Blvd.,
Mississauga, Ontario L5R 3W2; www.service.mattel.com.

Great Britain: Mattel UK Ltd, Vanwall Business Park,
Maidenhead SL6 4UB. Helpline: 01628 500303.
www.service.mattel.com/uk

Mattel Europa B.V., Gondel 1, 1186 MJ Amstelveen, Nederland.

Australia: Mattel Australia Pty. Ltd., 658 Church Street,
Locked Bag #870, Richmond, Victoria 3121 Australia.

New Zealand: 16-18 William Pickering Drive,
Albany 1331, Auckland.

South Africa: Mattel South Africa (PTY) LTD, Office 102 13,
30 Melrose Boulevard, Johannesburg 2196.

Care

- The mat and soft toy are machine washable. Wash separately in cold water on the gentle cycle. Do not use bleach. Tumble dry on low heat.
- The arch, hard toys, mirror, bases and piano can be wiped with a clean, damp cloth. Do not immerse the piano.



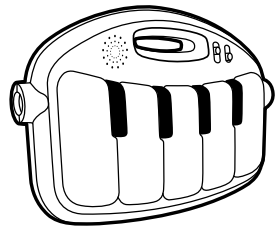
Protect the environment by not disposing of this product or any batteries with household waste. This symbol indicates that this product shall not be treated as household waste. Check your local authority for recycling advice and facilities.

©2017 Mattel. All Rights Reserved.
PRINTED IN CHINA

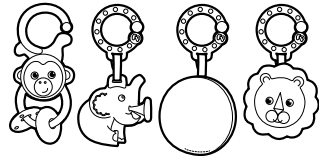
FGG45-0970
1101550463-DOM

Remark:			
Revision	Date	ID#	Changes
Primary - pr	08/09/2017	FGG45-0970-1101550463-DOM	NA

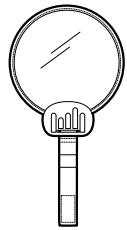
Parts



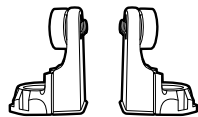
Piano



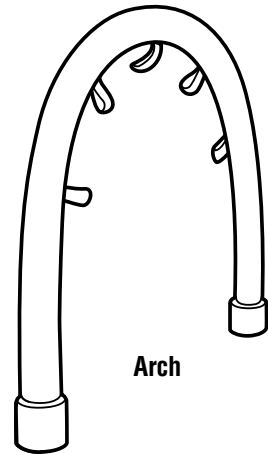
4 Toys



Mirror



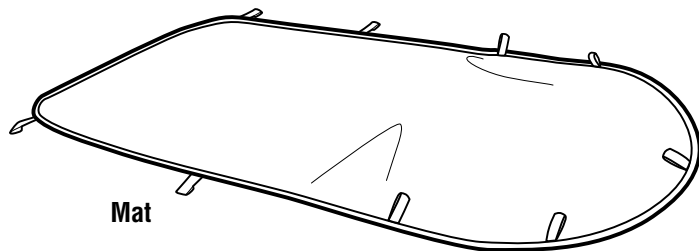
2 Hubs



Arch



2 Bases



Mat



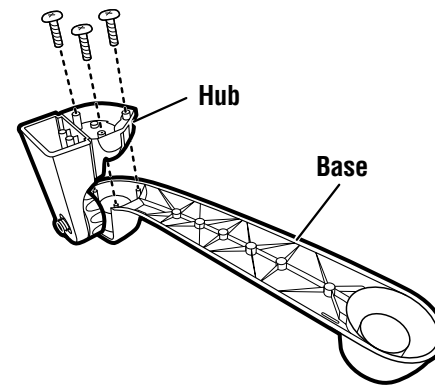
M3,5 x 1,3 cm Screw - 6

SHOWN ACTUAL SIZE

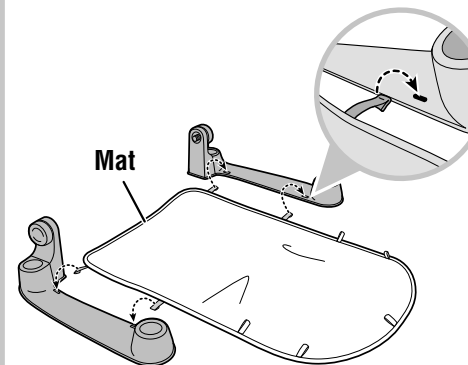
Tighten and loosen screws with a Phillips screwdriver. Do not over-tighten screws.

3

Mat, Hub and Base Assembly

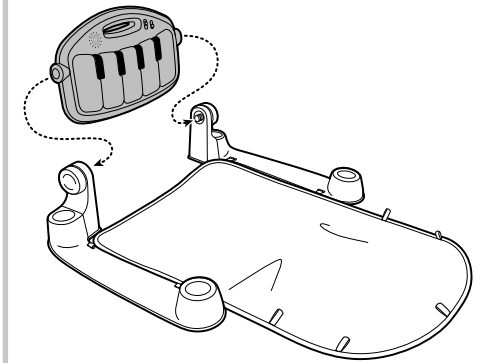


- Fit a hub to a base.
- Hint: The hubs are designed to fit each base one way. If a hub does not seem to fit, try assembling it to the other base.*
- Insert three screws into the hub and tighten.
- Repeat this process to assemble the other base and hub.

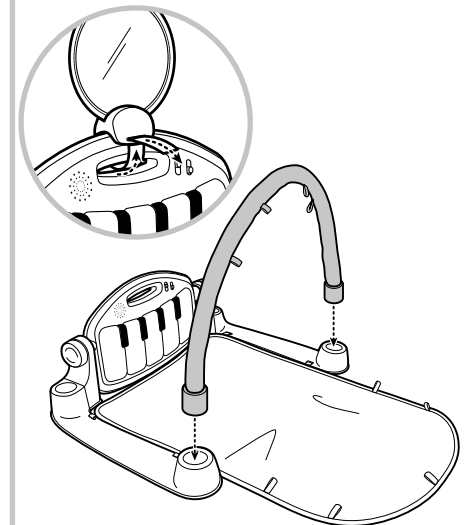


- Place the mat, print side up, between the bases.
- Fit the straps on the squared end of the mat into the slots in the bases. Make sure the tab on the end of each strap forms a "T" on the other side of the slot.
- Pull up on the mat to be sure it is assembled to the bases.

Lay and Play Assembly



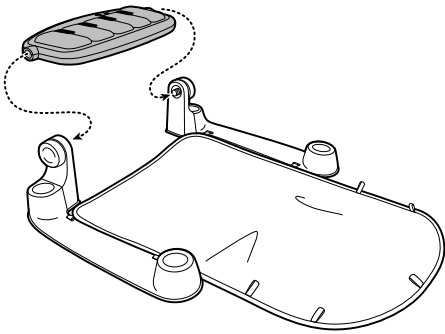
- Fit the piano onto the peg on each hub with the keys facing towards the mat.
- Tighten each hub to secure the piano in place.



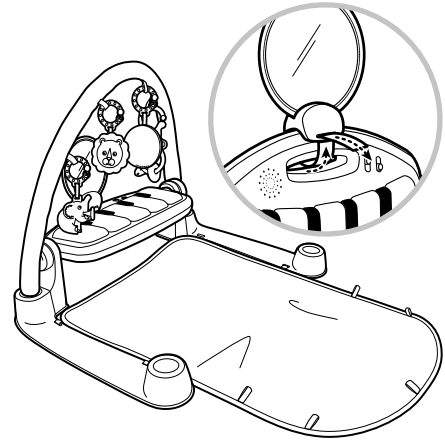
- Fit the ends of the arch into the socket in each base farthest away from the piano.
- Wrap the strap on the mirror around the arch and through the mirror slot.
- Pull the strap tight and then fold to fasten.

4

Sit Up Assembly



- Fit the piano onto the peg on each hub with the keys facing up.
- Tighten each hub to secure the piano in place.

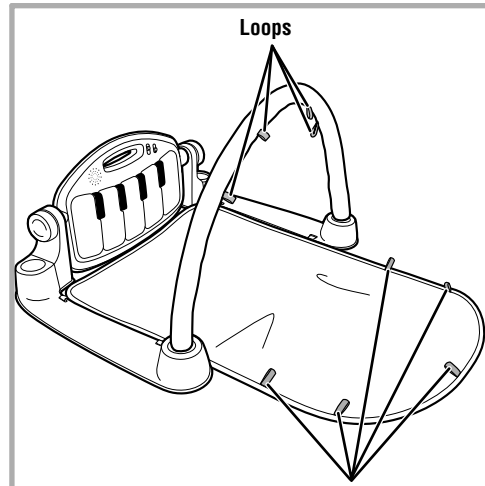


- Fit the ends of the arch into the socket in each base closest to the piano.
- Wrap the strap on the mirror around the piano handle and through the mirror slot.
- Pull the strap tight and then fold to fasten.

5

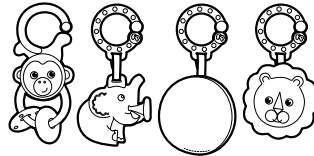
Attach Toys

This toy includes a lock-out fastener on the back of the piano. To unlock all modes, be sure to remove it!



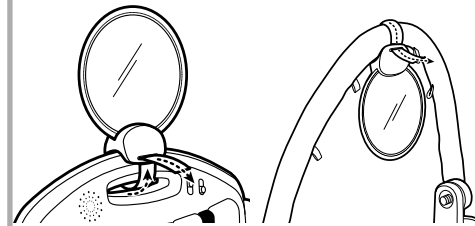
Loops

Loops



Toys

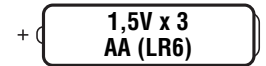
- Attach the toys to any of the loops on the arch or the mat!



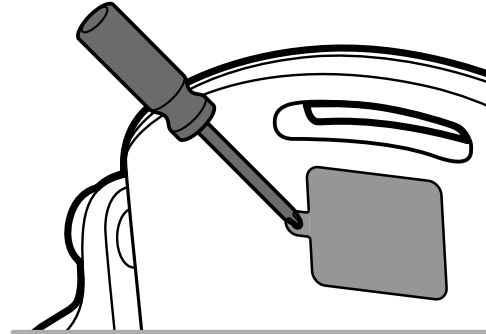
- Wrap the strap on the mirror around the piano or arch and through the mirror slot.
- Pull the strap tight and then fold to fasten.



Battery Replacement



For longer life, use **alkaline** batteries.



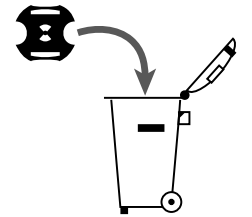
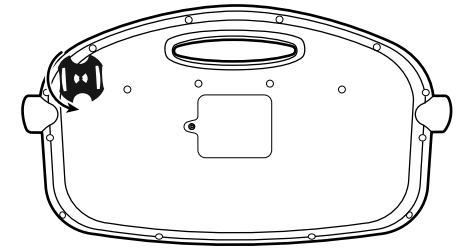
- Locate the battery compartment door on the back of the piano.
- Loosen the screws in the battery compartment door and remove the door.
- Remove the exhausted batteries and dispose properly.
- Insert three, new AA (LR6) **alkaline** batteries.
- Replace the battery compartment door and tighten the screws. Do not over-tighten.
- If this product begins to operate erratically, you may need to reset the electronics. Slide the power/volume switch off and then back on.
- When sounds become faint or stop, it's time for an adult to change the batteries.

Remove Lock-out Fastener

CAUTION

This package contains small parts. For adult assembly only.

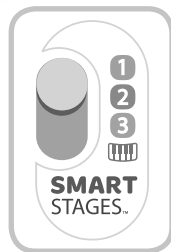
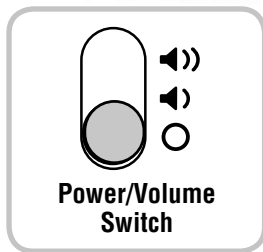
This toy includes a lock-out fastener on the back of the piano. To unlock all modes, be sure to remove it!



- Turn the lock-out fastener and pull to remove.
- Properly dispose of the lock-out fastener.

6

It's time to kick things up a notch!



- Slide the power/volume switch to ON with low volume , ON with high volume or OFF .
- Slide the Smart Stages™ mode switch to:
 - 1 Sense** - Press a button to hear up to 15 minutes of music.
 - 2 Discover** - Press to hear a musical instrument or animal sound effects.
 - 3 Explore** - Press to hear colors, shapes and numbers!
- Piano Play** - Press to hear real piano notes.

7

WARNING

To prevent entanglement injury, never place the gym in a crib or playpen. Never add strings, ties or other products to the gym.

Consumer Information

Battery Safety Information

In exceptional circumstances, batteries may leak fluids that can cause a chemical burn injury or ruin your product. To avoid battery leakage:

- Do not mix old and new batteries or batteries of different types: alkaline, standard (carbon-zinc) or rechargeable.
- Insert batteries as indicated inside the battery compartment.
- Remove batteries during long periods of non-use. Always remove exhausted batteries from the product. Dispose of batteries safely. Do not dispose of this product in a fire. The batteries inside may explode or leak.
- Never short-circuit the battery terminals.
- Use only batteries of the same or equivalent type, as recommended.
- Do not charge non-rechargeable batteries.
- Remove rechargeable batteries from the product before charging.
- If removable, rechargeable batteries are used, they are only to be charged under adult supervision.

CAN ICES-3 (B)/NMB-3 (B)

Operation is subject to the following two conditions: (1) this device may not cause interference, and (2) this device must accept any interference, including interference that may cause undesired operation of the device.

L'utilisation de ce dispositif est autorisée seulement aux conditions suivantes : (1) il ne doit pas produire de brouillage et (2) il doit pouvoir tolérer tout brouillage radioélectrique reçu, même si ce brouillage est susceptible de compromettre son fonctionnement.

FCC STATEMENT (UNITED STATES ONLY)

This equipment has been tested and found to comply with the limits for a Class B digital device, pursuant to Part 15 of the FCC rules. These limits are designed to provide reasonable protection against harmful interference in a residential installation. This equipment generates uses and can radiate radio frequency energy and, if not installed and used in accordance with the instructions, may cause harmful interference to radio communications. However, there is no guarantee that interference will not occur in a particular installation. If this equipment does cause harmful interference to radio or television reception, which can be determined by turning the equipment off and on, the user is encouraged to try to correct the interference by one or more of the following measures:

- Reorient or relocate the receiving antenna.
- Increase the separation between the equipment and receiver.
- Consult the dealer or an experienced radio/TV technician for help.

NOTE: Changes or modifications not expressly approved by the manufacturer responsible for compliance could void the user's authority to operate the equipment.

This device complies with Part 15 of the FCC Rules. Operation is subject to the following two conditions: (1) This device may not cause harmful interference, and (2) this device must accept any interference received, including interference that may cause undesired operation.

8