

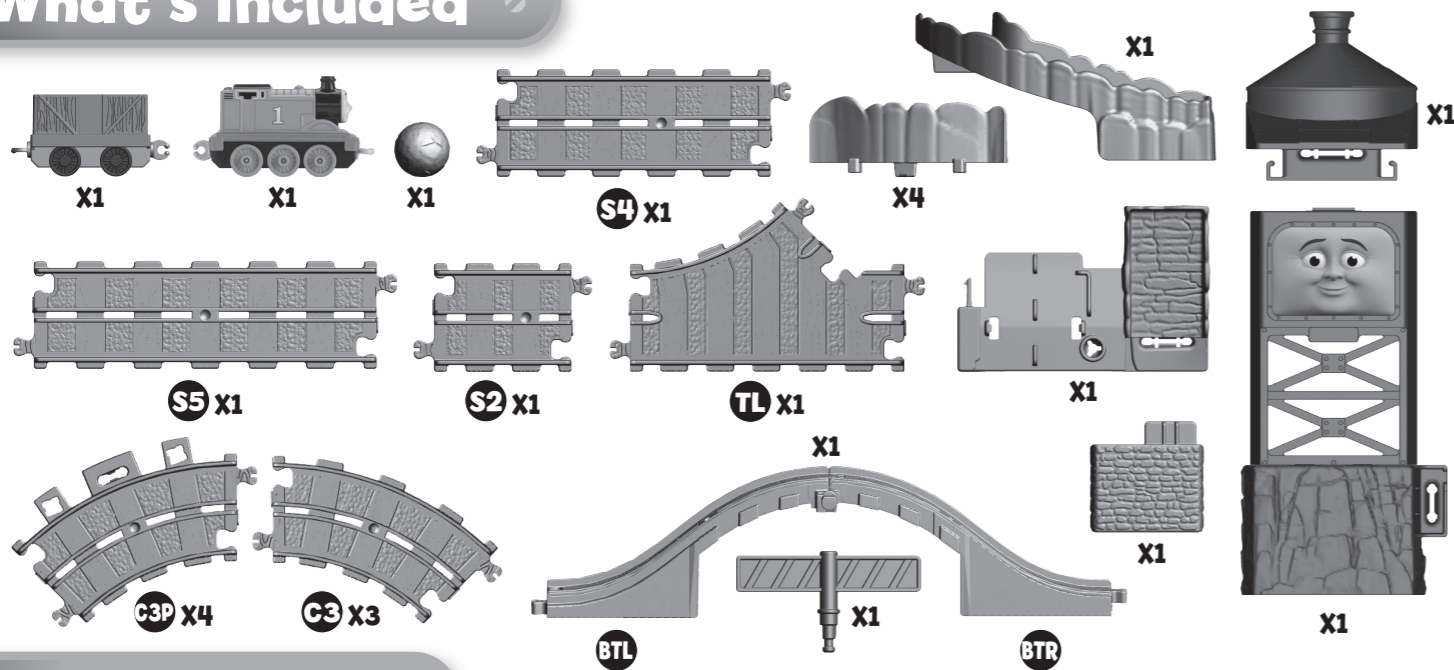
**WARNING:**  
CHOKING HAZARD - Toy contains small balls. Not for children under 3 years.

## BLUE MOUNTAIN QUARRY SET

### INSTRUCTIONS

Keep these instructions for future reference as they contain important information

### What's Included



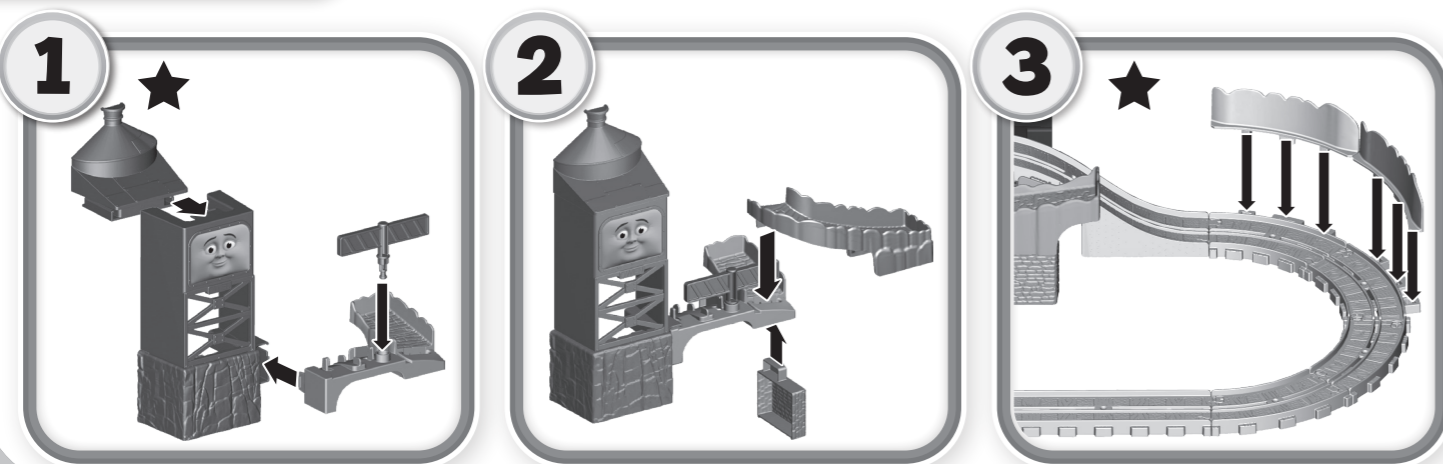
### Helpful Hints

Track marking codes are found on the bottom of tracks.

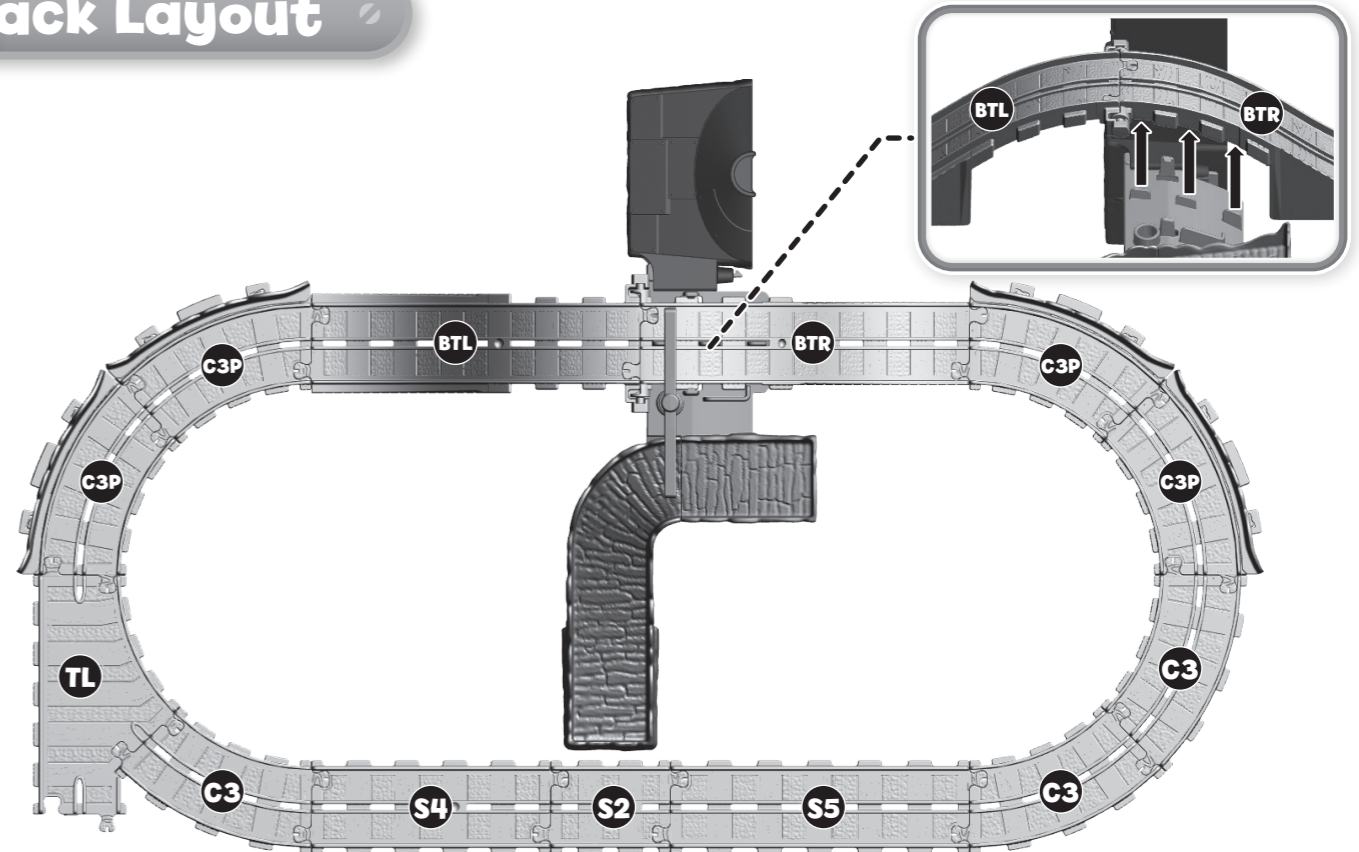
★ **ONE-TIME SNAPS:** Assembly steps that are marked with a star are "one-time snaps". Once these parts are put together, they cannot be taken apart.

Note: Some engines may not work on this track set.

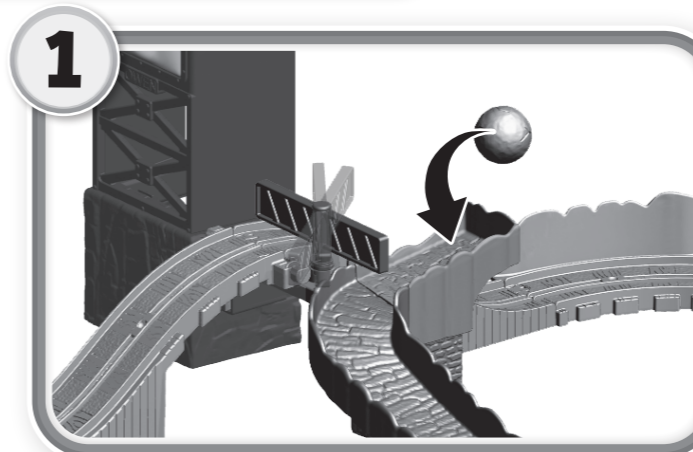
### Assembly



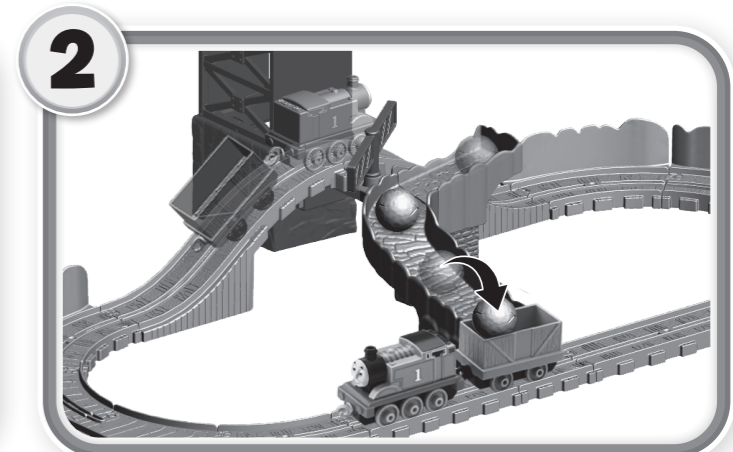
### Track Layout



### How to Play



Set the gate and place the boulder on the platform, as shown.



Roll the engine and push it into the gate. The boulder is released and rolls down the ramp. Collect the boulder and put it in the cargo car.

**CONSUMER ASSISTANCE**  
1-800-432-5437 (US & Canada)  
1300 135 312 (Australia)  
[service.fisher-price.com](http://service.fisher-price.com)

**Fisher-Price, Inc.**, 636 Girard Avenue, East Aurora, NY 14052.  
Hearing-impaired consumers: 1-800-382-7470.

**Outside the United States:**  
Canada: Mattel Canada Inc., 6155 Freemont Blvd., Mississauga, Ontario L5R 3W2; [www.service.mattel.com](http://www.service.mattel.com).  
Great Britain: Mattel UK Ltd, Vanwall Business Park, Maidenhead SL6 4UB. Helpline: 01628 500303. [www.service.mattel.com/uk](http://www.service.mattel.com/uk)  
Mattel Europa B.V., Gondel 1, 1186 MJ Amstelveen, Nederland.  
Australia: Mattel Australia Pty. Ltd., 658 Church Street, Locked Bag #870, Richmond, Victoria 3121 Australia.  
New Zealand: 16-18 William Pickering Drive, Albany 1331, Auckland.  
SOUTH AFRICA: Mattel South Africa (PTY) LTD, Office 102 I3, 30 Melrose Boulevard, Johannesburg 2196.

Thomas the Tank Engine & Friends™  
CREATED BY BRIT ALLCROFT

Based on the Railway Series by The Reverend W Awdry.  
©2017 Gullane (Thomas) Limited. Thomas the Tank Engine & Friends and Thomas & Friends are trademarks of Gullane (Thomas) Limited.  
©2017 HIT Entertainment Limited. HIT and the HIT logo are trademarks of HIT Entertainment Limited.

©2017 Mattel. All Rights Reserved.  
® and ™ designate U.S. trademarks of Mattel, except as noted. **PRINTED IN CHINA.**  
Mattel East Asia Ltd., Room 503-09, North Tower, World Finance Centre, Harbour City, Tsimshatsui, HK, China. Tel.: (852) 3185-6500.

FJP82-0970-1101545090-DOM

**ADULT ASSEMBLY REQUIRED.**  
No tools needed.



FJP82  
**Fisher-Price**

Item No : FJP85-0970-1101545090-DOM-IS  
Size : A4  
Paper : 100% Recycled Paper, 70 gsm  
Color : Black  
Date : 07/25/2017 (Tracy Mui)

front back

Cover 1 Back 2