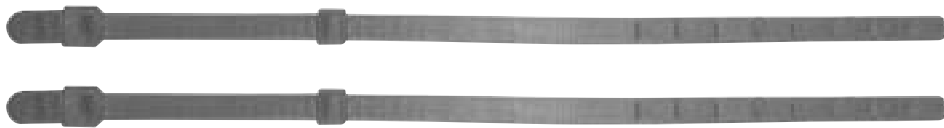
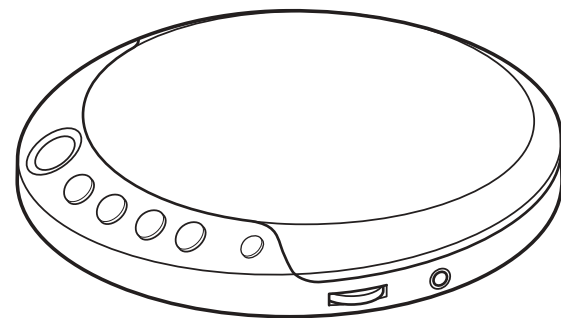
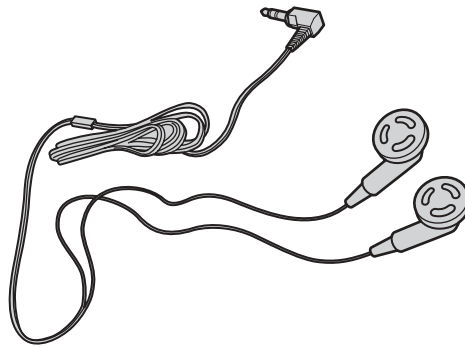
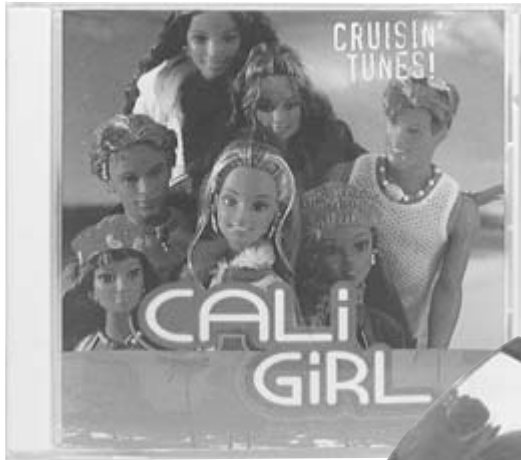




# INSTRUCTIONS



## CONTENTS

Please remove everything from the package and compare to the contents shown here. If any items are missing, please call 1-800-524-TOYS. Keep these instructions for future reference as they contain important information.

ADULTS NOTE: Remove plastic inserts from product and discard pieces.

ADULT ASSEMBLY REQUIRED.

Colors and decorations may vary from those shown.

Requires (2) AA alkaline batteries, not included. Dispose of batteries safely.

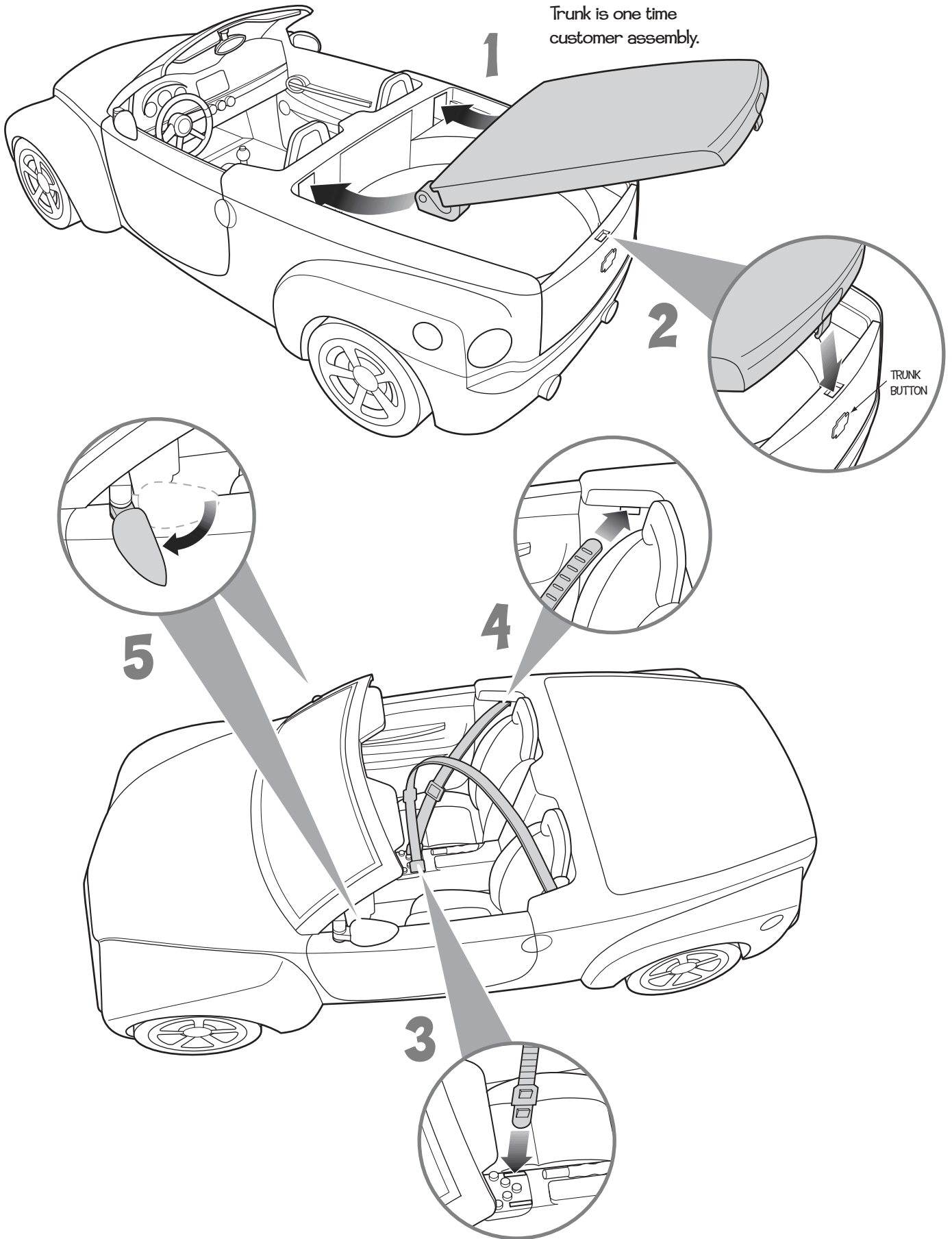
5+



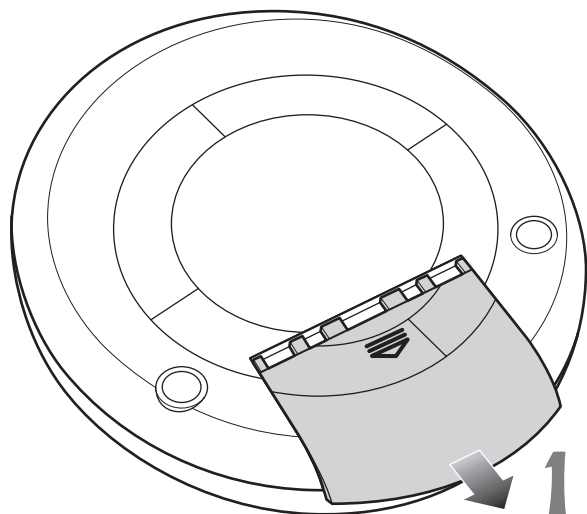
G6068-0920

# ASSEMBLY

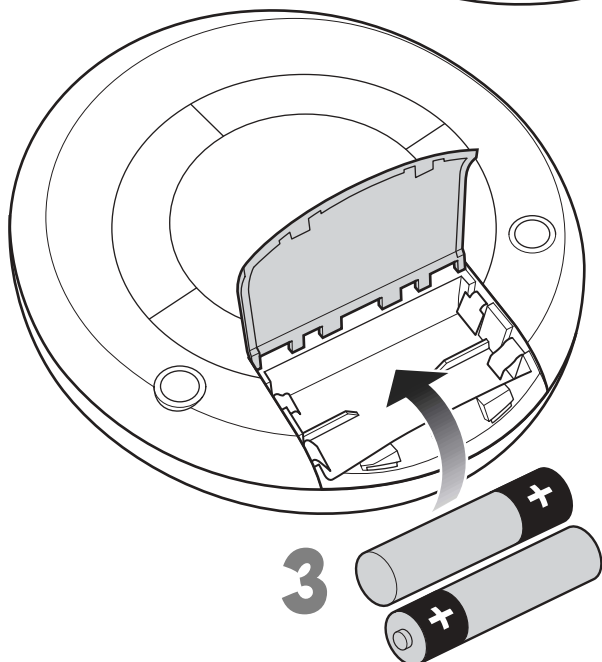
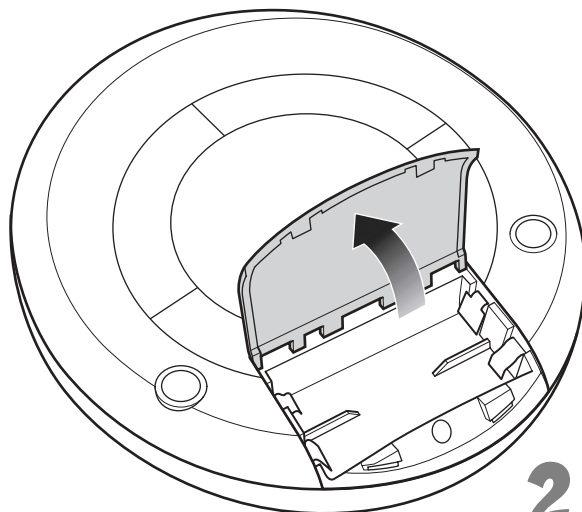
Trunk is one time customer assembly.



# INSTALL BATTERIES




(BOTTOM VIEW)



Slide battery cover out ( 1 ) and open upward ( 2 ). Insert two (2) AA alkaline batteries ( 3 ). Note direction of batteries. Replace cover. For longer life, use only alkaline batteries.

## LOW BATTERY INDICATORS

-  is displayed when the battery voltage reaches low.
- When the voltage is too low, the unit will automatically turn off.

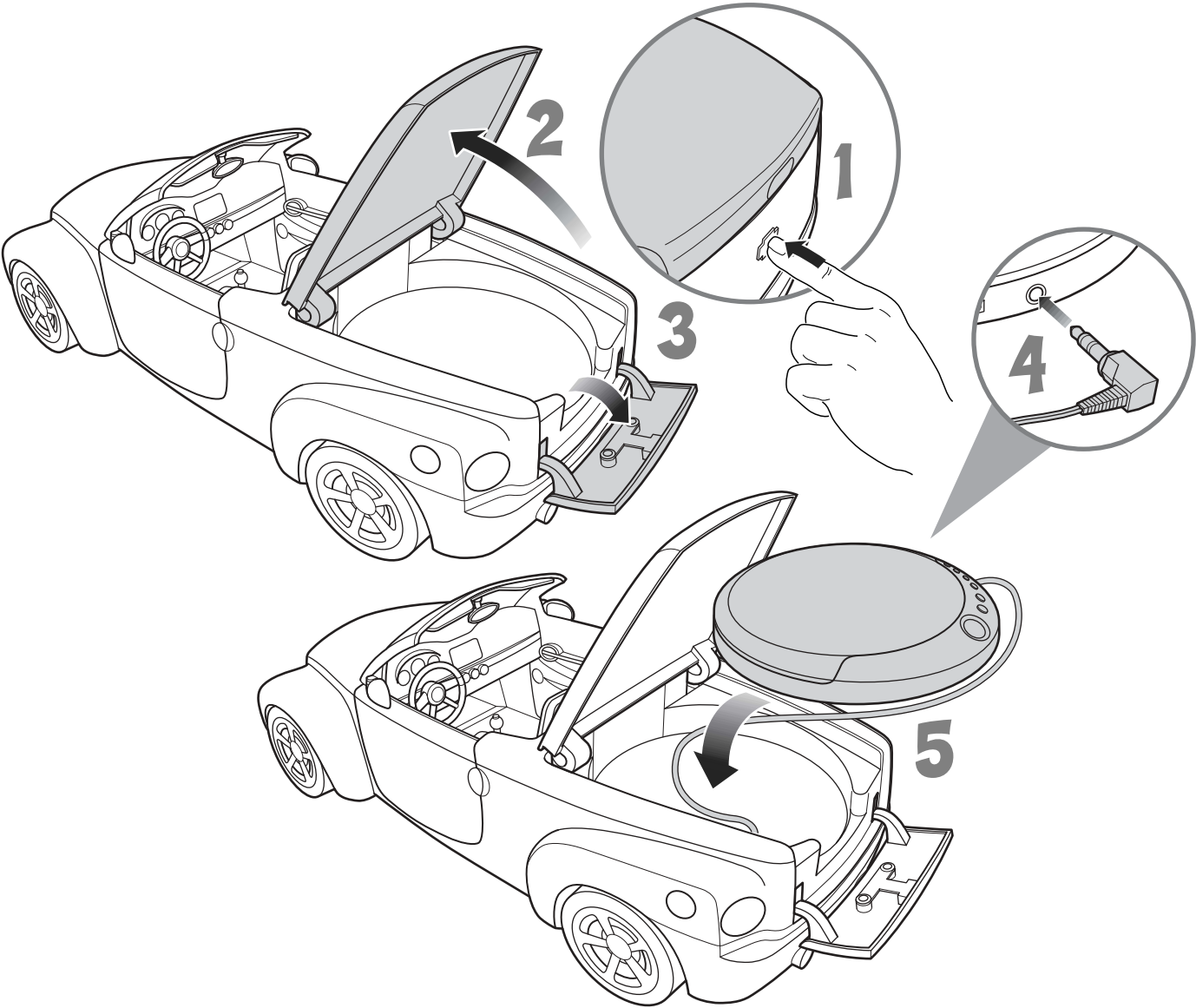


## Battery Safety information

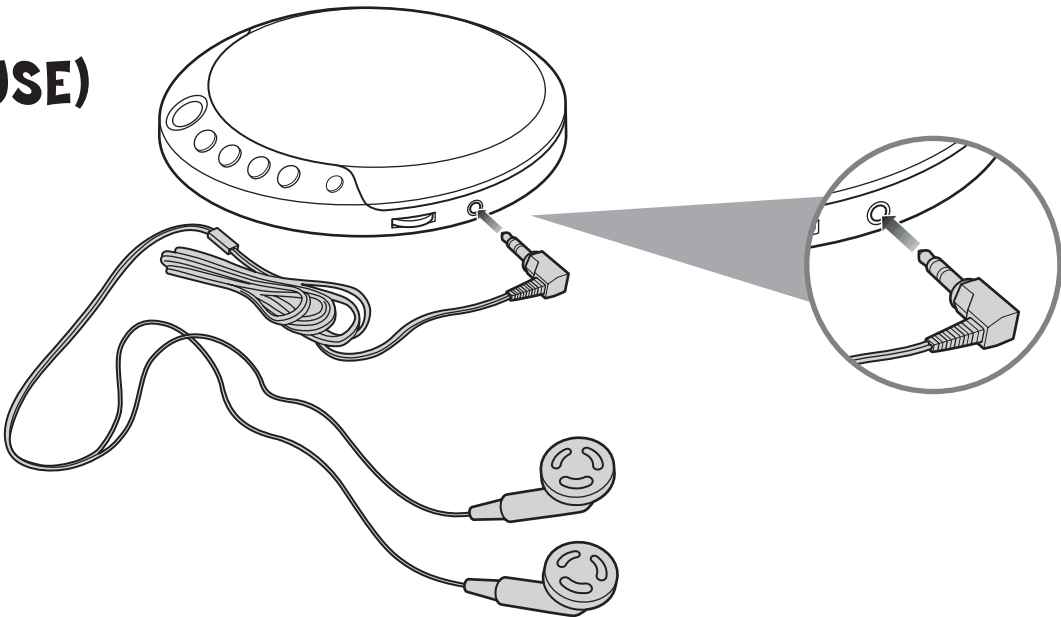
Batteries may leak fluids that can cause a chemical burn injury or ruin your toy (product). To avoid battery leakage:

- Do not mix old and new batteries or batteries of different types: alkaline, standard (carbon-zinc) or rechargeable (nickel-cadmium).
- Insert batteries as indicated inside the battery compartment.
- Remove batteries during long periods of non-use. Always remove exhausted batteries from the toy (product). Dispose of batteries safely. Do not dispose of batteries in a fire. The batteries may explode or leak.
- Never short-circuit the battery terminals.
- Use only batteries of the same or equivalent type, as recommended.
- Do not charge non-rechargeable batteries.
- Remove rechargeable batteries from the toy (product) before charging.
- If removable, rechargeable batteries are used; they are only to be charged under adult supervision.

# CD PLAYER WITH VEHICLE SPEAKER

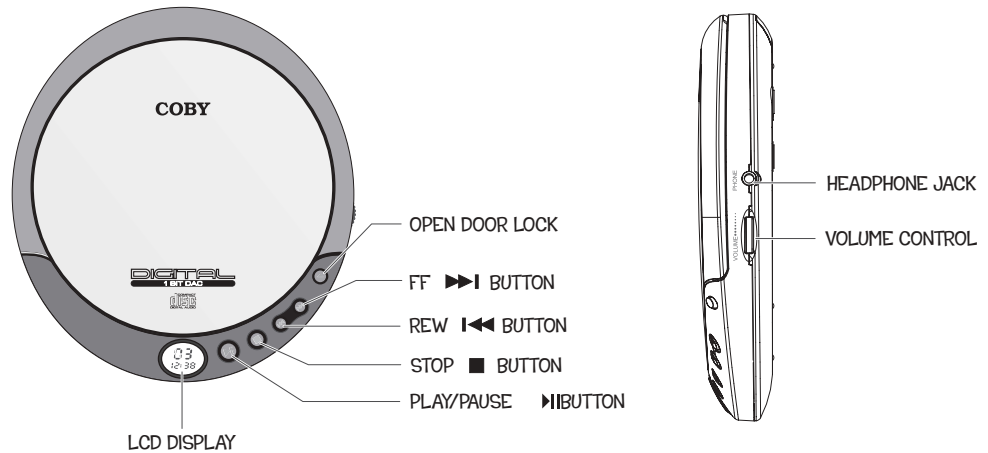


# CD PLAYER (PORTABLE USE)



# PORTABLE CD PLAYER CX-CD109 USER GUIDE

## NAME OF PARTS



## OPERATION MANUAL

Read the instruction manual before operating this unit.

## CAUTION

Hearing experts advise against the constant use of personal stereos played at high volume. Constant high volume use can lead to hearing loss. If you experience ringing in the ears or hearing loss, discontinue use and seek medical advice.

When playing with the CD player in the car, sharp turns and sudden stops may cause the CD to skip. This does not harm the CD or CD player. Earphones should not be used while the CD player is in the car.

## CONCERNING COMPACT DISCS

Only compact discs identified with this mark can be used with this player.



To remove the disc from its storage case, press down on the center of the case and lift the disc out. Hold it carefully by the edges. Insert the disc into the unit with the label of the disc facing up.

## POWER ON — AUTO PLAY

1. Press play/pause ( >|I ) button to turn the power on.

2. LCD screen will display " — — ".



3. LCD screen will display "disc" if CD is not in the unit.



4. LCD screen will display "er" if the unit cannot read CD track data.



5. When CD track data has been read, LCD screen will display the last track number with the total play time.



6. Unit will start play from track number 1 (one) automatically.



## STOP

Press STOP ( ■ ) button to stop play, and the last track number will display.



## PAUSE

Press PLAY/PAUSE ( >|I ) button to pause ON/OFF alternately. Time display will flash on pause mode.



## PLAYING MODES

### LISTEN TO DESIRED TRACK

1. Press FF ►► (or REW ◀◀) button to set the desired track #. Press PLAY/PAUSE || button to play. Press FF ►► (or REW ◀◀) button to change the track # during the play mode.



2. During play, press REW ◀◀ button to play previous track.



3. During pause mode, press FF ►► (or REW ◀◀) button to play the next track (or previous track). The unit will keep in pause mode and time display will flash.



### MOVE TO THE DESIRED SPOT

During play, press and hold FF ►► (or REW ◀◀) button to fast forward (or fast reverse) the current track.



## MAINTENANCE AND CARE

Do not expose the unit to high temperature or humidity. Use dampened soft cloth to clean the unit. Do not use strong detergent or solvent to clean the unit.

Gently wipe the disc using a soft cloth from the center to the outer direction to remove dust, fingerprints or any other particles on the disc surface. Never use chemicals, such as record sprays, anti-static sprays, benzene or thinners to clean the CD. These chemicals can damage the disc surface permanently.

To avoid serious scratches on CD, keep them in the cases after each use. Scratches can cause the laser pick-up to skip in the future play.

Do not place stickers or write anything on the disc.

This device complies with part 15 of the FCC Rules. Operation is subject to the following two conditions: (1) This device may not cause harmful interference, and (2) this device must accept any interference received, including interference that may cause undesired operation.

This equipment has been tested and found to comply with the limits for a Class B digital device, pursuant to part 15 of the FCC rules. These limits are designed to provide reasonable protection against harmful interference in a residential installation. This equipment generates, uses and can radiate radio frequency energy and, if not installed and used in accordance with the instructions, may cause harmful interference to radio communications. However, there is no guarantee that interference will not occur in a particular installation. If this equipment does cause harmful interference to radio or television reception, which can be determined by turning the equipment off and on, the user is encouraged to try to correct the interference by one or more of the following measures:

Reorient or relocate the receiving antenna.

Increase the separation between the equipment and receiver.

Connect the equipment into an outlet on a circuit different from that to which the receiver is connected.

Consult the dealer or an experienced radio/TV technician for help.

NOTE: Changes or modifications not expressly approved by the manufacturer responsible for compliance could void the user's authority to operate the equipment."

THIS CLASS B DIGITAL APPARATUS COMPLIES WITH CANADIAN ICES-003.

Operation is subject to the following two conditions: (1) this device may not cause interference, and (2) this device must accept any interference, including interference that may cause undesired operation of the device.

CET APPAREIL NUMERIQUE DE LA CLASSE B EST CONFORME A LA NORME NMB-003 DU CANADA.

L'utilisation de ce dispositif est autorisée seulement aux conditions suivantes :

(1) Il ne doit pas produire de brouillage et (2) il doit pouvoir tolérer tout brouillage radioélectrique reçu, même si ce brouillage est susceptible de compromettre son fonctionnement.

Mattel Canada Inc., Mississauga, Ontario L5R 3W2. You may call us free at 1-800-665-6288.

Mattel U.K. Ltd., Vanwall Business Park, Maidenhead SL6 4UB. Help line 01628500303.

Mattel Australia Pty., Ltd., Richmond, Victoria. 3121. Consumer Advisory Service - 1300 135 312.

Mattel East Asia Ltd, Room 1106, South Tower, World Finance Centre, Harbour City, Tsimshatsui, HK, China

Diimport & Diedarkan Oleh: Mattel SEA Ptd Ltd.(993532-P) Lot 13.5, 13th Floor, Menara Lien Hoe, Persiaran Tropicana Golf Country Resort, 47410 PJ. Tel:03-78803817, Fax:03-78803867.

Mattel, Inc., El Segundo, CA 90245 U.S.A. Consumer Affairs 1 (800) 524-Toys.