

Parts

- A. 6 Straight Tracks
- B. 4 Short Tracks
- C. 6 Support Tops
- D. 2 Upper Ramps
- E. 2 Lower Ramps
- F. 12 Support Columns
- G. 2 Guardrails
- H. #4 x 1/2" Screw - 4

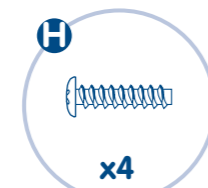
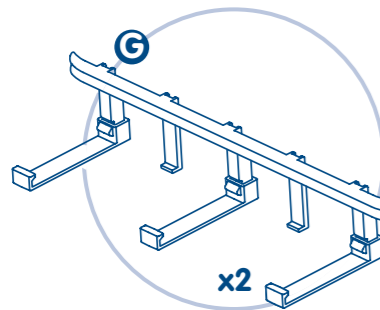
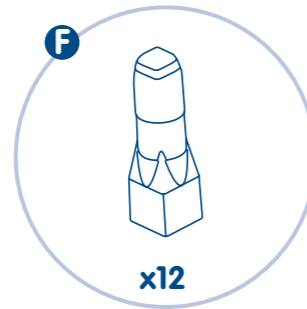
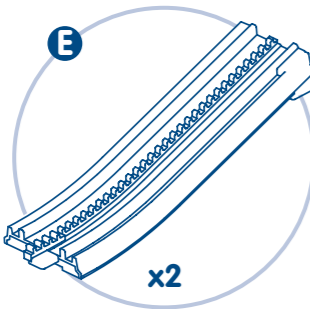
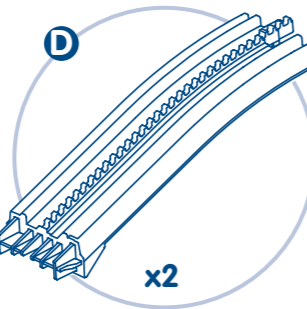
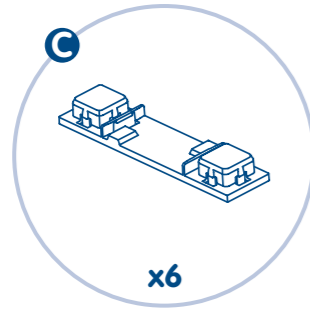
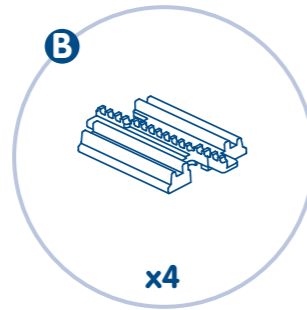
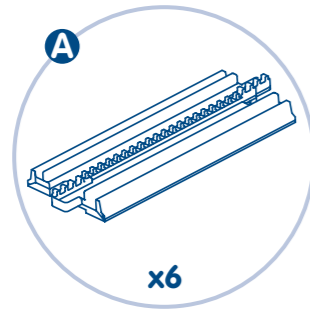
Please keep this instruction sheet for future reference, as it contains important information.

Adult assembly is required.

Tool required for battery installation: Phillips screwdriver (not included).

⚠ WARNING

This product contains small parts in its unassembled state. Adult assembly is required.



Fastener Shown Actual Size



For layout ideas visit the
GeoTrax™ section of
www.fisher-price.com

Questions? We'd like to hear from you!

Call Fisher-Price® Consumer Relations, toll-free at **1-800-432-KIDS**,
8 AM - 6 PM EST Monday through Friday. Hearing-impaired
consumers using TTY/TDD equipment, please call 1-800-382-7470.
Or, write to: Fisher-Price® Consumer Relations, 636 Girard Avenue
East Aurora, New York 14052, U.S.A.

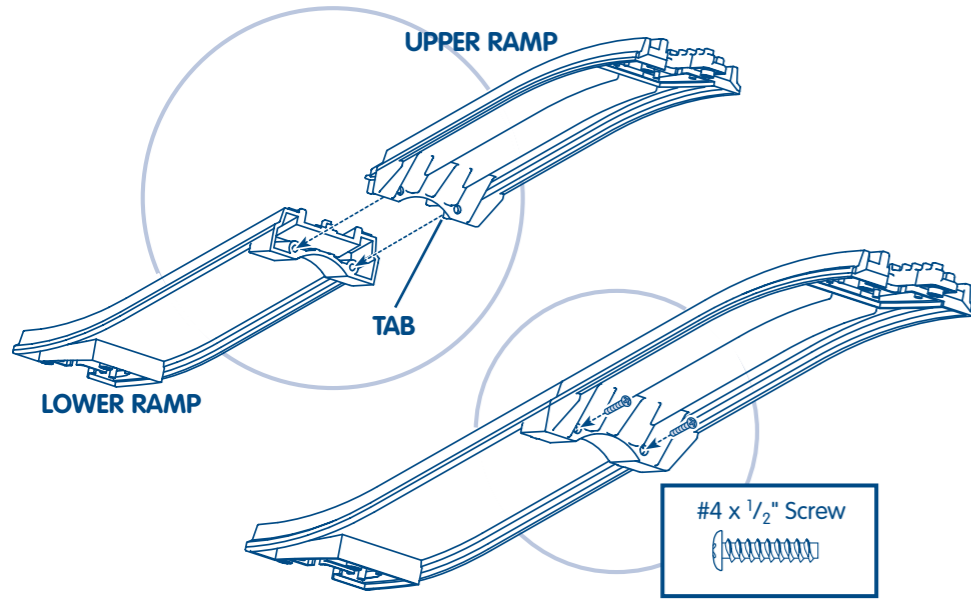
For other countries outside the United States:

Canada: call 1-800-567-7724, or write to: Mattel Canada Inc., 6155 Freemont Blvd., Mississauga, Ontario L5R 3W2.
Great Britain: telephone 01628 500302. **Australia:** Mattel Australia Pty. Ltd., 658 Church Street, Locked Bag #870,
Richmond, Victoria 3121 Australia. Consumer Advisory Service 1300 135 312. **New Zealand:** 16-18 William Pickering
Drive, Albany 1331, Auckland. **Asia:** Mattel East Asia Ltd, Room 1106, South Tower, World Finance Centre, Harbour City,
Tsimshatsui, HK, China.

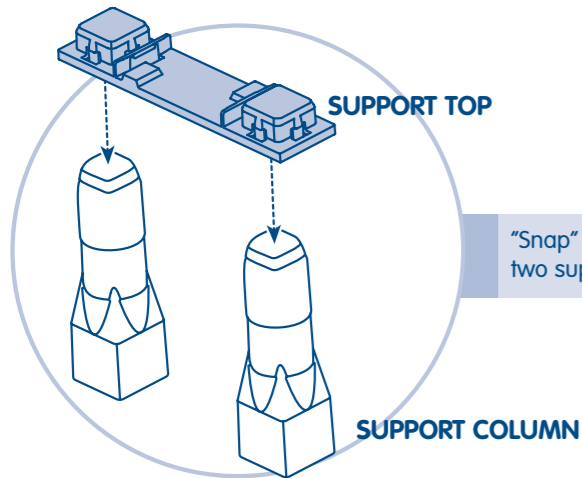


Elevation Track Pack™ - Straights & Ramps

Assembly

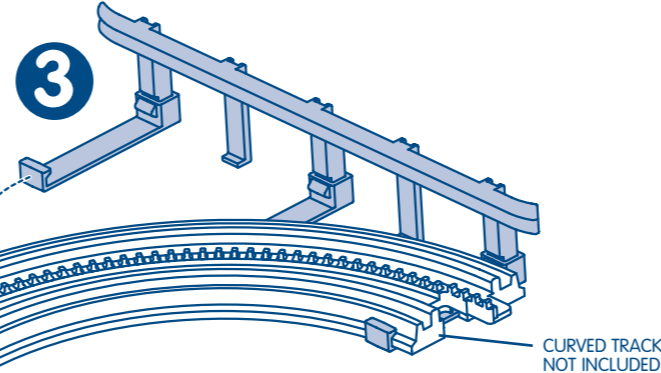
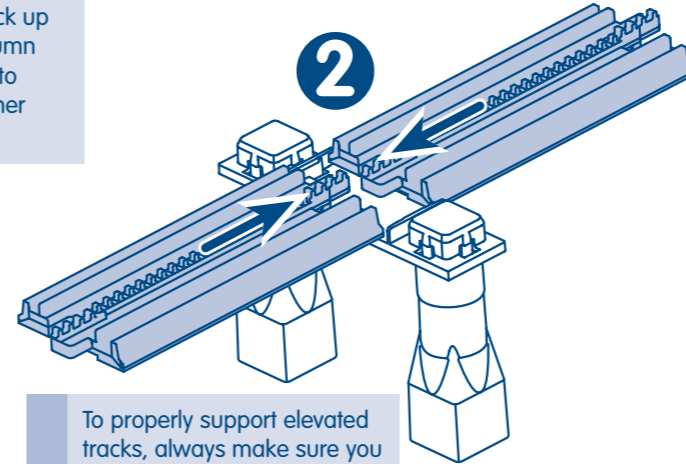
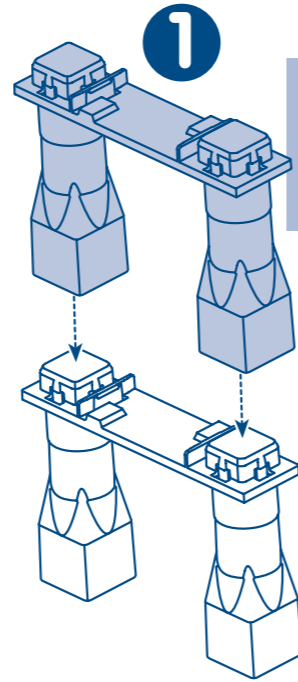


- Fit the tabs on an upper ramp into the slots in a lower ramp.
- Insert two screws into the upper ramp. Tighten the screws with a Phillips screwdriver. Do not over-tighten.
- Repeat this procedure to build the three other upper/lower ramp assemblies.



"Snap" a support top onto two support columns.

Elevation Track Tips



- When using a curved track (not included) at the bottom of a ramp assembly, be sure to use a guardrail on the curve. This keeps the fast moving train on the track!
- To attach the guardrail, fit a tab on one end of the guardrail under the curved track, as shown.
- Bend the guardrail slightly to fit the other two tabs to the curved track.

The more you collect, the more fun it gets!



Playsets and accessories sold separately and subject to availability. Two of each Elevation Track Packs™ used to make this configuration.