



Driveway Racer

Owner's Manual with Assembly Instructions

For Models H2836, C0530, C0532

Model H2836



Model C0532



Model C0530



Please read this manual and save it with your original sales receipt.

Tools needed for assembly: Phillips Screwdriver and Adjustable Wrench (tools not included).

Use only with a Power Wheels® 12 Volt Lead-Acid Rechargeable Battery and Power Wheels® 12 Volt Charger with Type "12V" Connector (included).

Requires one LR44 **alkaline** button cell battery for Stopwatch operation (included).

www.powerwheels.com



Product features and decoration may vary from the pictures above. Helmet not included.

Table of Contents

A	Important Information	.2
B	Warnings and Cautions	.3
C	Parts	.4
D	Parts Diagram	.6
E	Battery Charging	.7
F	Assembly	.8
G	Stopwatch Battery Replacement	.14
H	Label Decoration	.15
I	Battery Installation	.17
J	Battery Care and Disposal	.18
K	Rules for Safe Driving	.19
L	Go-Kart Racing	.20
M	Caring for Your Vehicle	.22
N	Problems and Solutions Guide	.23
O	Limited Warranty	.26
P	FCC Statement (United States Only)	.27

A

Important Information

- Your new vehicle requires adult assembly. Please set aside at least 60 minutes for assembly.
- You must charge your battery for 18 - 30 hours **before you use your vehicle for the first time**. We recommend that you start charging your battery before beginning assembly. Please see Battery Charging beginning on page 7 for detailed instructions.
- Read this manual carefully for important safety information and operating instructions before using your vehicle. Keep these instructions for future reference as they contain important information.
- This vehicle is designed for use on: concrete, asphalt or other hard surfaces; on generally level terrain; by children 5 years of age and up who have mastered basic vehicle control skills.
- Make sure children know and follow these rules for safe driving and riding:
 - always sit in the seat.
 - always wear shoes.
 - always wear a helmet.
 - never ride at night.
 - only one (1) rider at a time.
- Use this vehicle **ONLY** outdoors. Most interior flooring can be damaged by riding this vehicle indoors. Fisher-Price® will not be responsible for damage to the floor if the vehicle is used indoors.
- This vehicle is meant for outdoor use only, on private property. It should not be used on streets, alleys or other public thoroughfares.
- Your child should not wear open toe shoes. Be sure your child keeps loose laces and pant legs away from the wheels.
- To prevent damaging the motors and gears, do not tow anything behind the vehicle or overload it. Do not exceed the maximum weight capacity of 120 lb. (54.4 kg).
- If you have any questions about your Power Wheels® vehicle, please call our toll-free service lines at **1-800-348-0751** from 8 AM to 6 PM (EST) Monday through Friday. Trained customer service representatives are available to take your call in English or French. Habla Español? Si usted tiene alguna pregunta ó necesita asistencia llame gratis **1-800-348-0755** para los Estados Unidos. Tenemos representantes que hablan español para atender su llamada.
- For your convenience, Power Wheels® maintains an **independently owned and operated** Authorized Service Center Network with more than 400 authorized service centers nationwide. The authorized service centers will repair or replace parts under warranty at no extra charge, and can perform non-warranty repairs for a minimal charge. To find the authorized service center nearest to you, visit us on-line at **www.powerwheels.com** or call **1-800-348-0751**.
- If you would like to register your vehicle, please visit us on-line at **www.powerwheels.com**.

ELECTRICAL HAZARD **WARNING**

- Battery can fall out and injure a child if vehicle tips over. Always use battery cover (clamp).
- **PREVENT FIRE**
 - Never modify the electrical system. Alterations could cause a fire resulting in serious injury and could also ruin the electrical system.
 - Use of the wrong type battery or charger could cause a fire or explosion resulting in serious injury.
 - Use of Power Wheels® components in products other than Power Wheels® vehicles could cause overheating, fire or explosion.
- The battery must be handled by adults only. The battery is heavy and contains sulfuric acid (electrolyte). Dropping the battery could result in serious injury.
- Never allow children to charge the battery. Battery charging must be done by adults only. A child could be injured by the electricity involved in charging the battery.
- Never lift or carry the battery by the wires or connector. This can damage the battery and possibly cause a fire resulting in serious injury. Lift and carry the battery by the case only.
- Read the safety instructions on the battery.
- Examine the battery, charger and their connectors for excessive wear or damage each time you charge the battery. If damage or excessive wear is detected, do not use the charger or the battery until you have replaced the worn or damaged part.
- **HOT** motors. Handle carefully.

RIDING HAZARD **WARNING**

- **Prevent Injuries and Deaths**
 - Direct Adult Supervision Required
 - Keep Children Within Safe Riding Areas.
These areas must be:
 - away from swimming pools and other bodies of water to prevent drownings
 - generally level to prevent tipovers
 - away from steps, steep inclines, cars, roads and alleys.

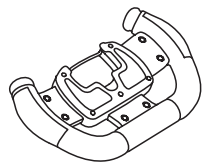
 **CAUTION**

- In the unassembled state, this package contains small parts. Adult assembly is required.
- Use the charger in dry locations only.

C

Parts

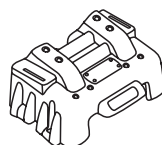
- If you experience a problem with this product, or are missing a part, please call us at **1-800-348-0751**, rather than return this product to the store.
- Please identify all parts before assembly and save all packaging material until assembly is complete to ensure that no parts are discarded.
- Metal parts have been coated with a lubricant to protect them during shipment. Wipe all metal parts with a paper towel to remove any excess lubricant.



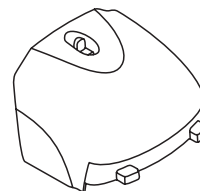
Steering Wheel



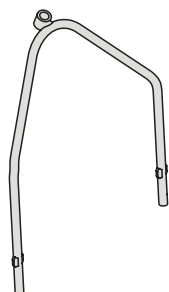
**Stopwatch
(with LR44 alkaline button
cell battery included)**



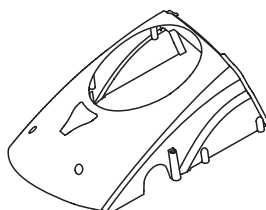
Pretend Motor



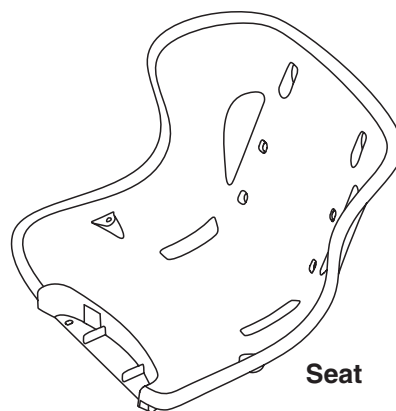
Battery Cover (Clamp)



Steering Tube



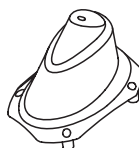
Cowling



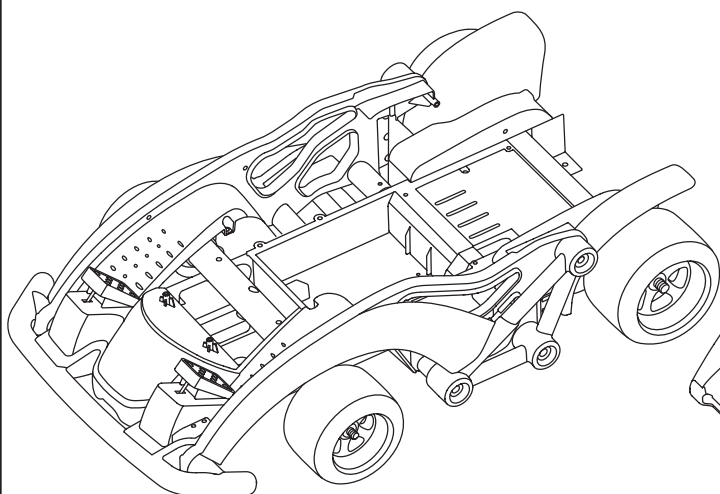
Seat



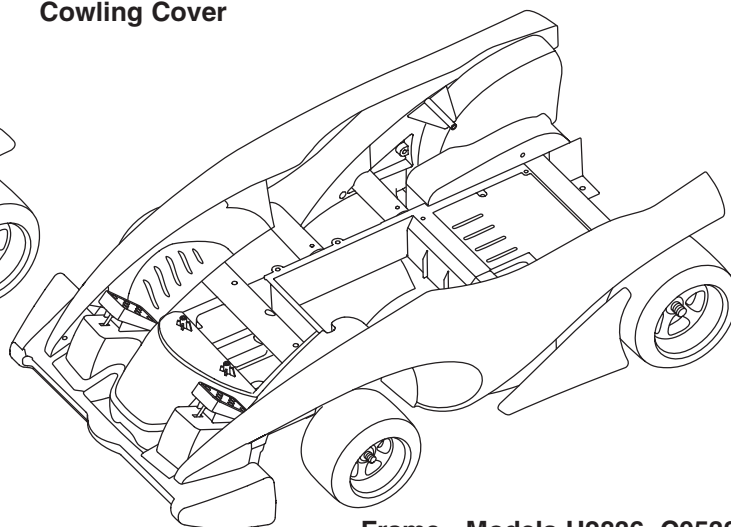
Steering Column



Cowling Cover

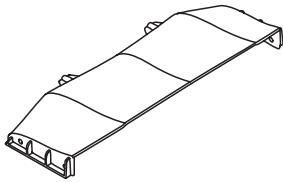


Frame - Model C0530

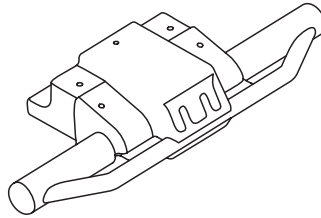


Frame - Models H2836, C0532

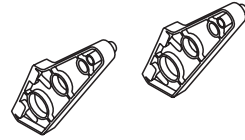
Parts



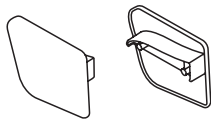
Wing



Rear Bumper



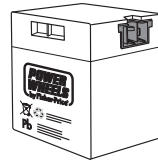
2 Struts
(Left and Right)



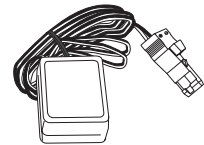
2 Flaps
(Left and Right)



4 Caps



12 Volt Battery



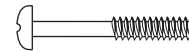
12 Volt Charger

Parts not shown: Label Sheet, Collapsible Pylons, Stencil, and Chalk.

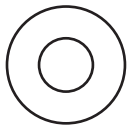
Note: Tighten and loosen all screws with a Phillips screwdriver. Do not over-tighten the screws.



1/4 - 20 x 3" Screw - 2



3mm x 21mm Screw - 1



1/4" Washer - 2



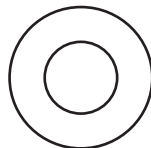
#8 x 3/4" Screw - 35



3mm Lock Nut - 1



3/16" Washer - 2



.375" Washer - 1
(Attached to Steering Column)



1/4" - 20 Lock Nut - 2



3/8" - 16 Lock Nut - 2

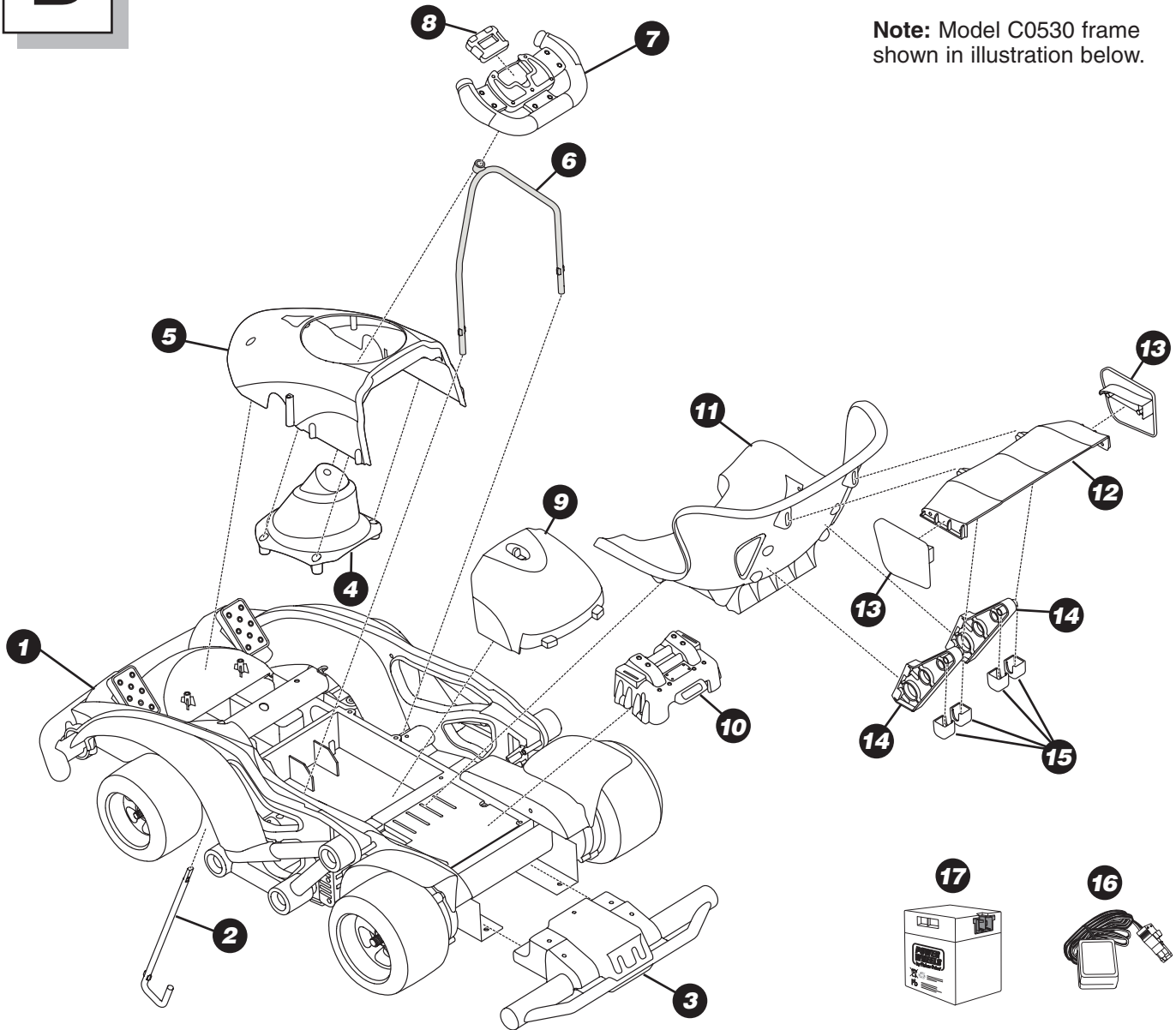
For your convenience, we've included extra fasteners!

All Fasteners Shown Actual Size

D

Parts Diagram

Note: Model C0530 frame shown in illustration below.



No. Part	Quantity	No. Part	Quantity	Parts Not Shown	Quantity
1	1	10	1	1/4" - 20 x 3" Screw	2
2	1	11	1	1/4" Washer	2
3	1	12	1	3/16" Washer	2
4	1	13	2	1/4" - 20 Lock Nut	2
5	1	14	2	3/8" - 16 Lock Nut	2
6	1	15	4	#8 x 3/4" Screw	35
7	1	16	1	3mm x 21mm Screw	1
8	1	17	1	3mm Lock Nut	1
9	1			.375" Washer	1
				Label Sheet	1
				Collapsible Pylons	7
				Stencil	2
				Chalk	2

ELECTRICAL HAZARD **WARNING**

- Battery can fall out and injure a child if vehicle tips over. Always use battery cover (clamp).
- **PREVENT FIRE**
 - Never modify the electrical system. Alterations could cause a fire resulting in serious injury and could also ruin the electrical system.
 - Use of the wrong type battery or charger could cause a fire or explosion resulting in serious injury.
 - Use of Power Wheels® components in products other than Power Wheels® vehicles could cause overheating, fire or explosion.
- The battery must be handled by adults only. The battery is heavy and contains sulfuric acid (electrolyte). Dropping the battery could result in serious injury.
- Never allow children to charge the battery. Battery charging must be done by adults only. A child could be injured by the electricity involved in charging the battery.
- Never lift or carry the battery by the wires or connector. This can damage the battery and possibly cause a fire resulting in serious injury. Lift and carry the battery by the case only.
- Read the safety instructions on the battery.
- Examine the battery, charger and their connectors for excessive wear or damage each time you charge the battery. If damage or excessive wear is detected, do not use the charger or the battery until you have replaced the worn or damaged part.

 **CAUTION**

Use the charger in dry locations only.

About Thermal Fuses

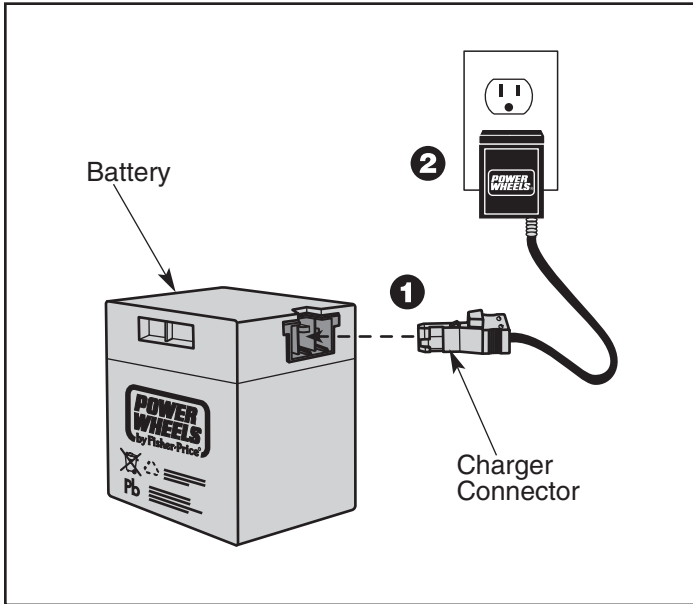
Your Power Wheels® 12 volt battery is equipped with a built-in thermal fuse. The thermal fuse is a self-resetting safety device which automatically “trips” and shuts down operation of the vehicle if the vehicle is overloaded or the driving conditions too severe. Once a fuse has “tripped”, it will automatically reset itself after approximately 25 seconds and allow the vehicle to resume normal operations. To avoid repeated automatic shutdowns, do not overload the vehicle by exceeding the 120 lb. (54.4 kg) maximum weight capacity or by towing anything behind the vehicle. Avoid severe driving conditions, such as driving up very steep slopes or running into fixed objects, which can cause the wheels to stop spinning while power is still being supplied to the motors.

If a thermal fuse in a battery continually trips under normal driving conditions, please contact your local Power Wheels® Authorized Service Center. For the location of the Authorized Service Center nearest to you, please visit us on-line at www.powerwheels.com or call **1-800-348-0751**.

Important Notes

- Your new battery must be charged for at least 18 hours before you use it in your vehicle for the first time.
- You do not need to remove the battery from your vehicle to recharge it.
- The battery must be upright while charging.
- The charger is not a toy.
- Do not short circuit the battery.
- We recommend that you start charging your battery before beginning assembly of your new vehicle.
- Before charging the battery, examine the battery case for cracks and other damage which may cause sulfuric acid (electrolyte) to leak during the charging process. If damage is detected, do not charge the battery or use it in your vehicle. Battery acid is very corrosive and can cause severe damage to surfaces it contacts.
- Do not charge the battery on a surface which could be damaged by the acid contained inside the battery. Take precautions to protect the surface on which you charge your battery.
- Use only a Power Wheels® 12 volt charger with type 12V connector (120 VAC 60 Hz 28W with an output of 12 VDC 1200mA) to charge your Power Wheels® rechargeable 12 volt battery.
- If your battery is old and will not accept a charge, do not leave it in the vehicle. Always remove a dead battery from the vehicle.

Battery Charging



- Plug the charger connector into the battery ①.
- Plug the charger into a standard wall outlet ②.

Note: If power flow to the wall outlet is controlled by a switch, make sure the switch is "ON".

- Before first-time use, charge the battery for **at least 18 hours**. Never charge the battery longer than 30 hours.
- Recharge the battery for at least 14 hours after each use of your vehicle. Do not charge the battery longer than 30 hours.
- Once the battery is charged, pull firmly on the charger connector to disconnect it from the battery. Unplug the charger from the wall outlet. The battery is now ready to be installed in your vehicle. Please see the Battery Installation section on page 17 for detailed instructions on installing your battery. If your battery is already installed in your vehicle, simply re-connect the motor harness connector to the battery and replace the battery cover (clamp).

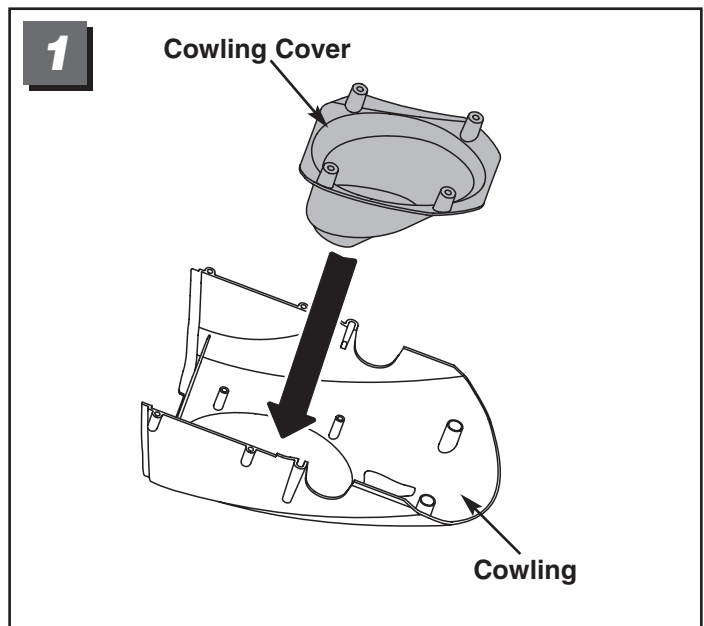
F

Assembly

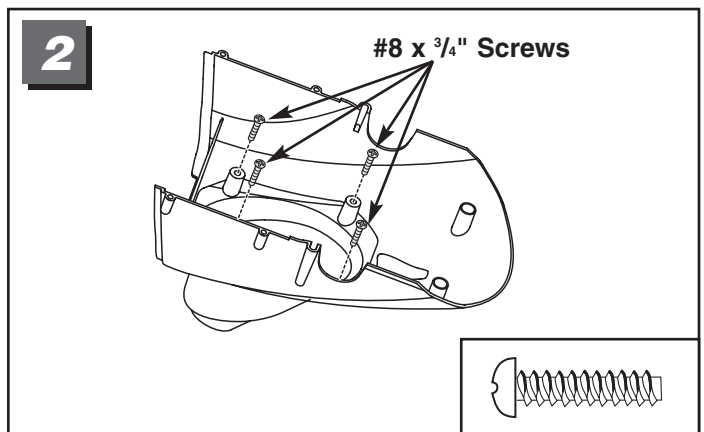
Note: The illustrations in the Assembly section show the model C0530 frame. Assembly is the same for all models (H2836, C0530 and C0532).

⚠ WARNING

Children can be harmed by small parts, sharp edges and sharp points in the vehicle's unassembled state, or by electrical items. Care should be taken in unpacking and assembly of the vehicle. Children should not handle parts, including the battery, or help in assembly of the vehicle.

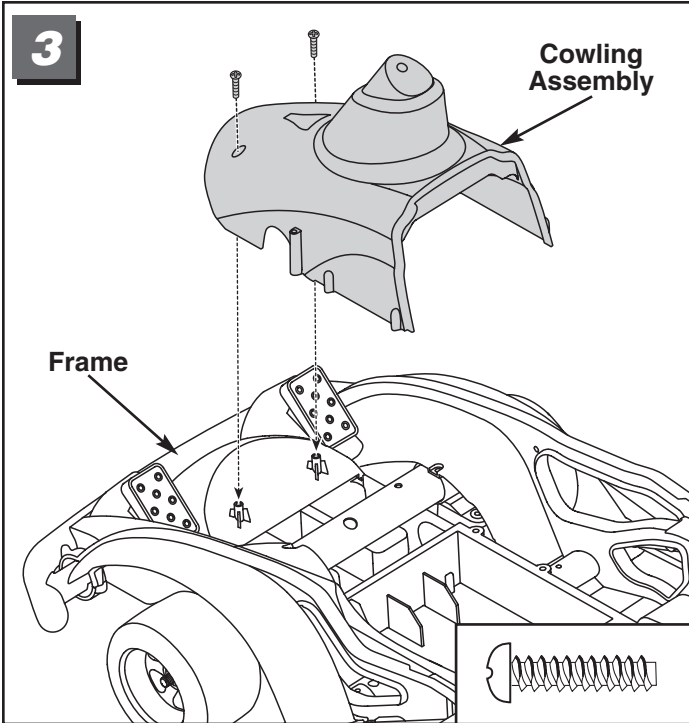


- Fit the cowling cover to the cowling.

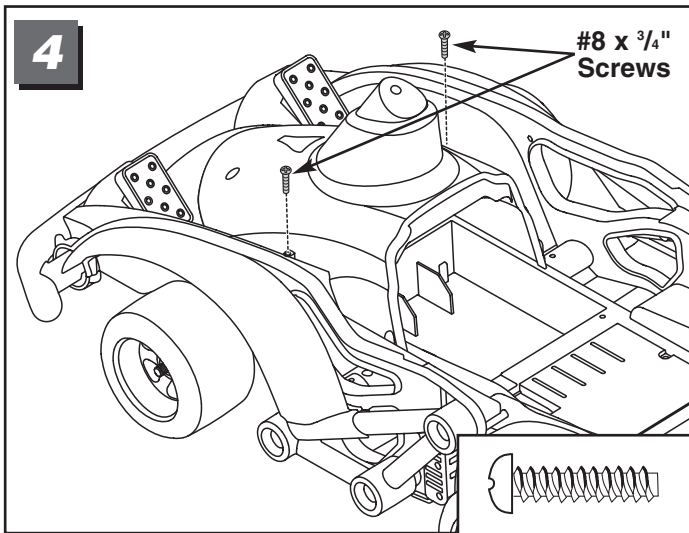


- Insert four #8 x 3/4" screws into the pegs in the cowling cover, as shown. Tighten the screws.

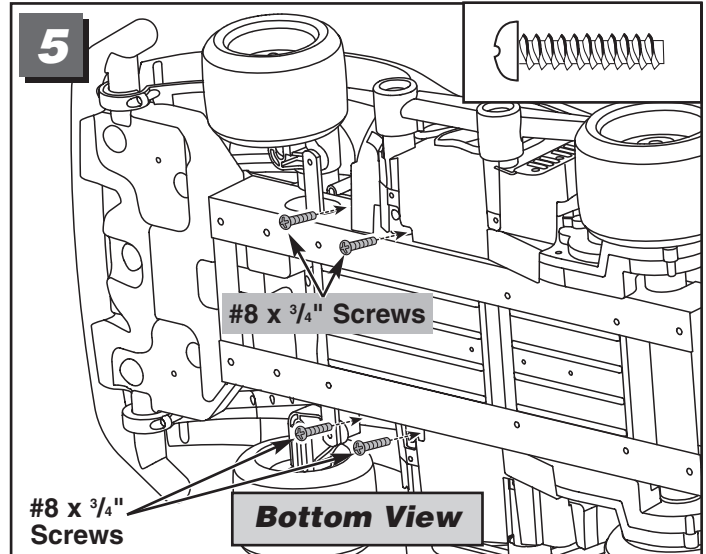
Assembly



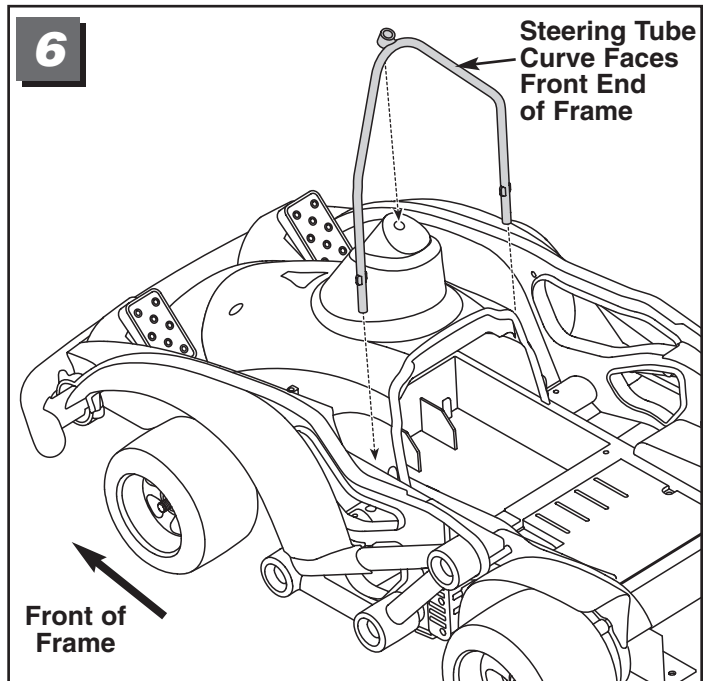
- Fit the cowling assembly into the front end of the frame.
- Hint: Squeeze the cowling assembly slightly (on each side) to fit it inside the frame.*
- Insert two #8 x 3/4" screws into the **front holes** in the cowling. Tighten the screws.



- Insert two #8 x 3/4" screws into the frame, as shown. Tighten the screws.

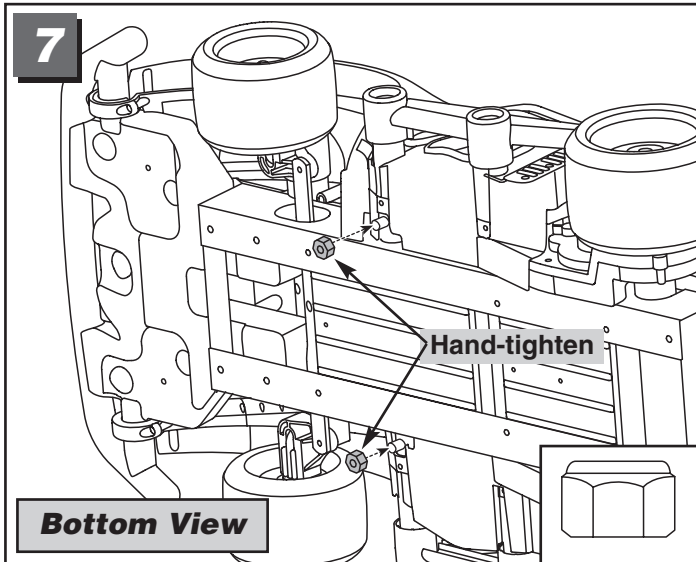


- Turn the frame on its side.
- Insert four #8 x 3/4" screws into the holes in the bottom of the frame and into the cowling assembly. Tighten the screws.

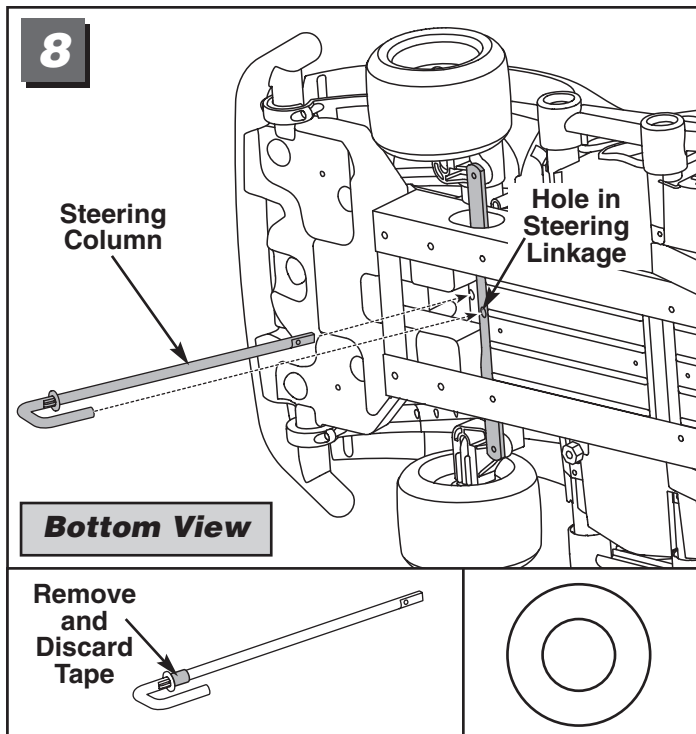


- Turn the frame upright.
- Position the steering tube so that the **curve faces the front end of the frame**.
- Fit the ends of the steering tube into the holes in the frame on either side of the cowling.

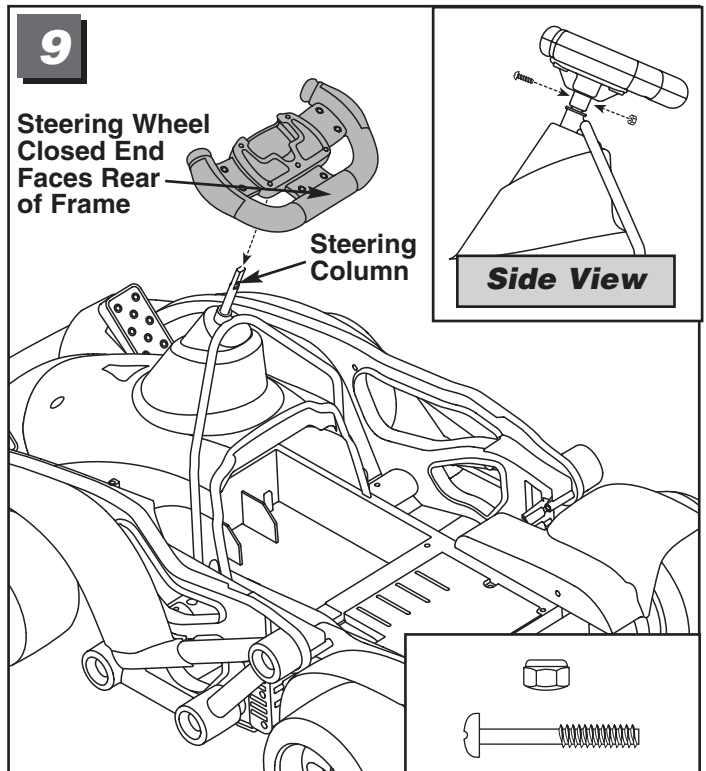
Assembly



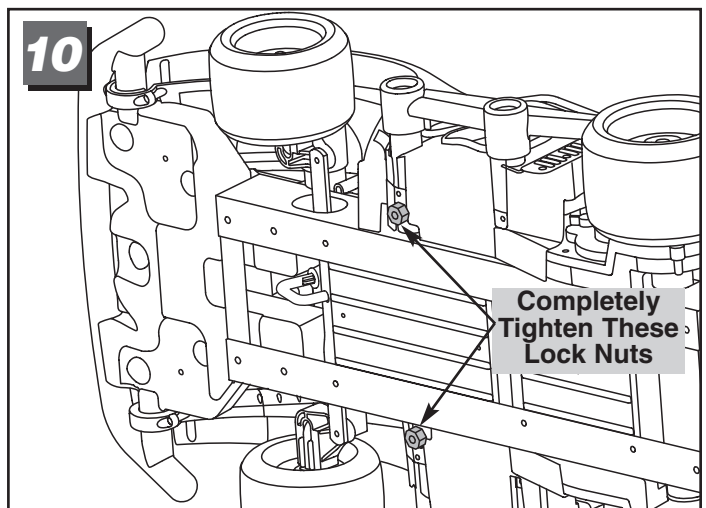
- Turn the frame on it's side. Fit a $\frac{3}{8}$ " - 16 lock nut onto each end of the steering tube. Make sure the **rounded side is facing out**.
 - Hand-tighten the lock nuts.
- Hint: You will fully-tighten these lock nuts in step 10.*



- Wipe the steering column with a paper towel to remove any excess lubricant.
- Remove and discard the tape that is holding the .375" washer on the steering column. **Do not remove the washer.**
- Insert the straight end of the steering column up through the hole in the bottom of the frame, through the hole in the cowling and out the hole in the steering tube.
- Fit the curved end of the steering column through the hole in the steering linkage.

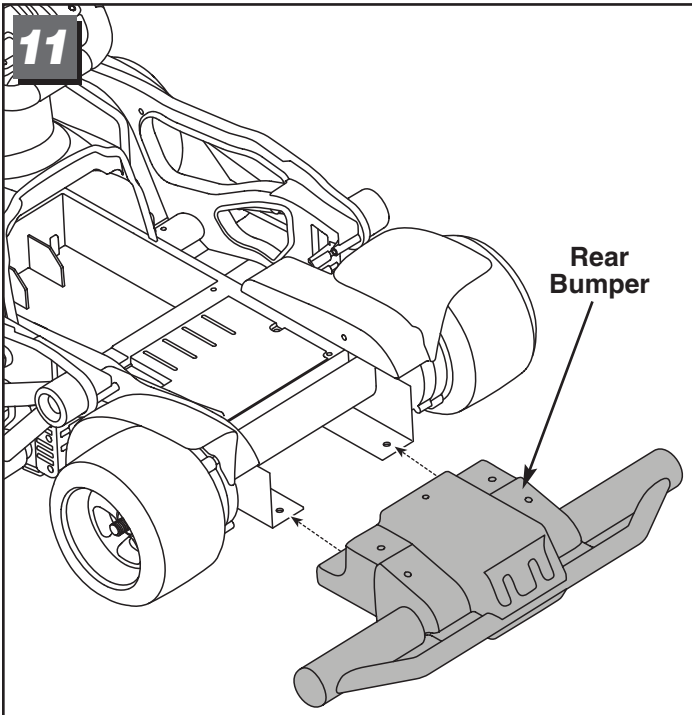


- Turn the frame upright.
- Position the steering wheel so that the **closed end faces the rear of the frame**. Fit the steering wheel onto the steering column.
- Insert a 3mm x 21 mm screw into the front hole in the steering wheel neck.
- Next, fit a 3mm lock nut onto the end of the screw in the rear hole in the steering wheel neck. Make sure the lock nut **rounded side is facing out**.
- While holding the lock nut in place with an adjustable wrench, tighten the screw with a Phillips screwdriver.

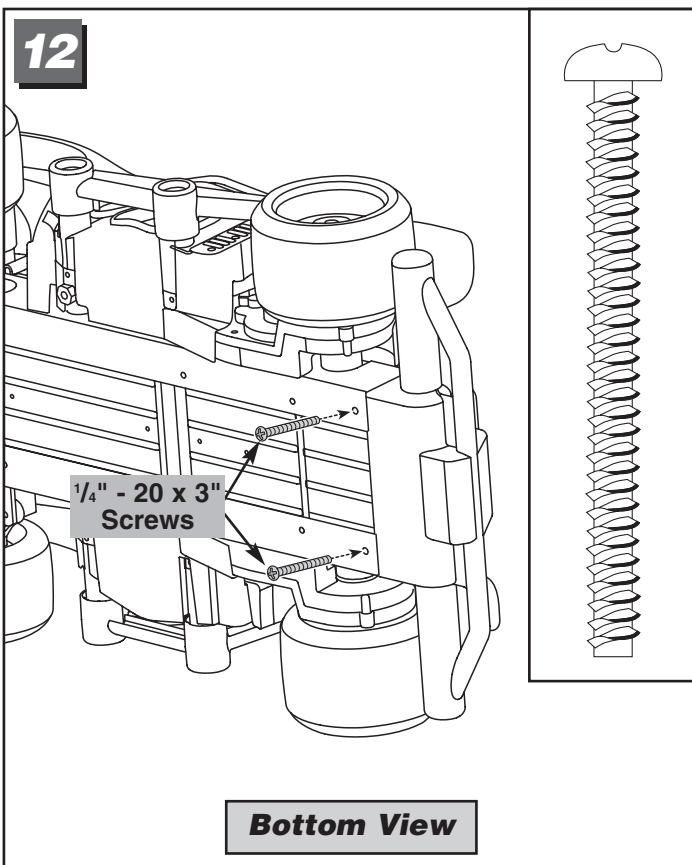


- Turn the frame on its side.
- Tighten the $\frac{3}{8}$ " - 16 lock nuts on each end of the steering tube with an adjustable wrench.

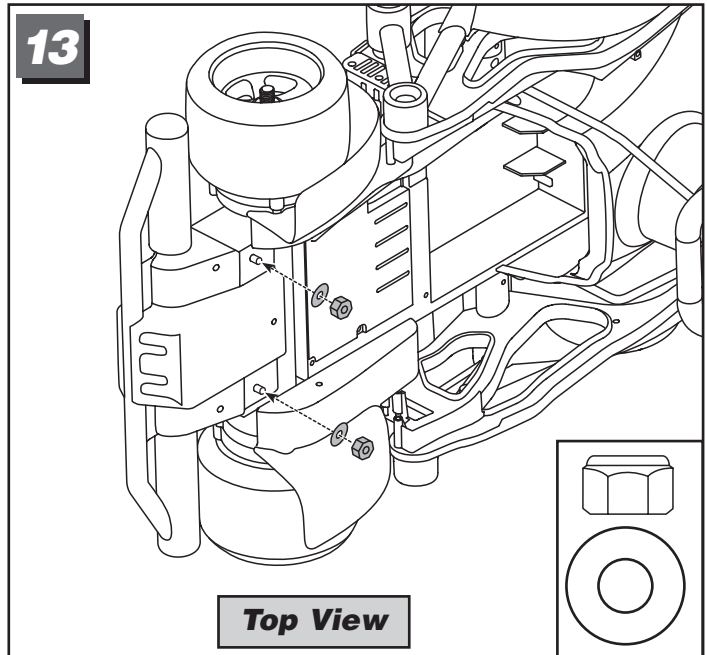
Assembly



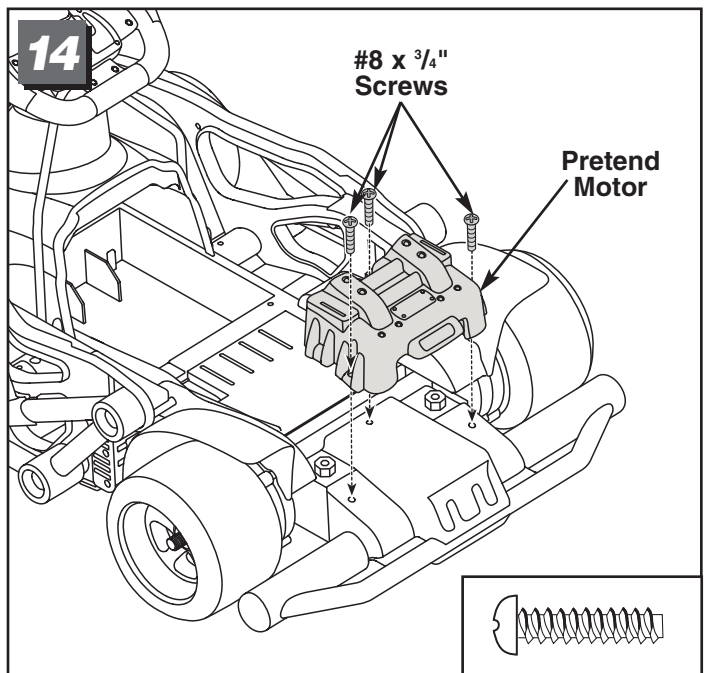
- Fit the rear bumper onto the rear end of the frame.



- While holding the rear bumper in place, turn the frame on its side.
- Insert two $\frac{1}{4}$ " - 20 x 3" screw through the bottom of the frame and out through the top of the rear bumper.

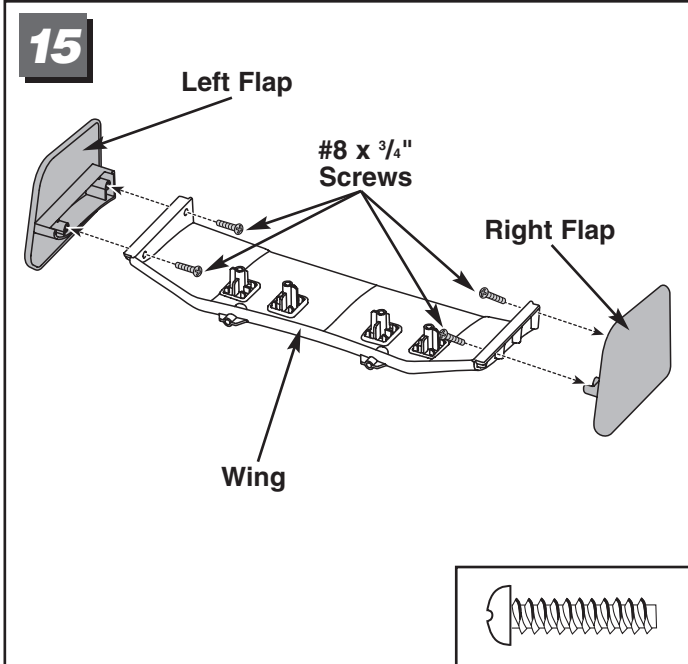


- From the top side of the frame, attach a $\frac{1}{4}$ " washer and $\frac{1}{4}$ " - 20 lock nut to each screw.
- While holding the 3" screws steady with a Phillips screwdriver, tighten the lock nuts with an adjustable wrench.



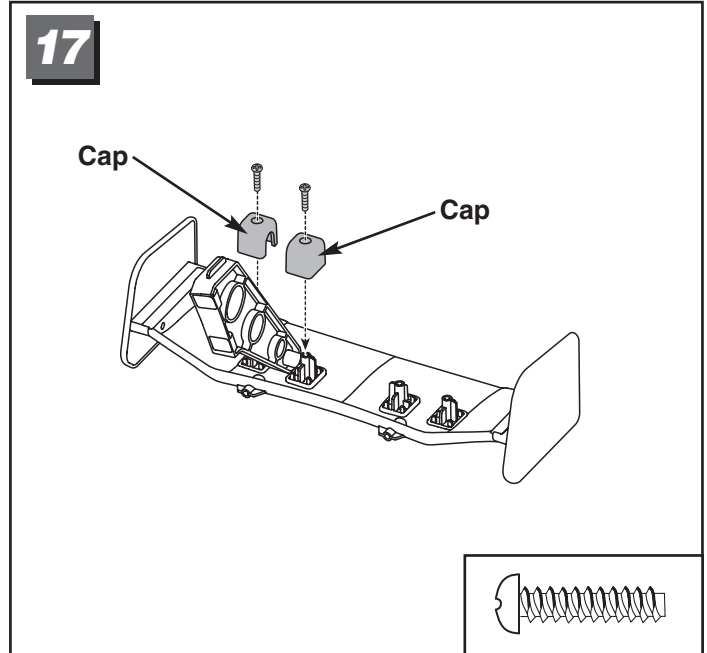
- Turn the frame upright.
- Fit the pretend motor to the top side of the rear bumper.
- Insert three $\#8 \times \frac{3}{4}$ " into the pretend motor and tighten. **Do not over-tighten these screws.**

Assembly

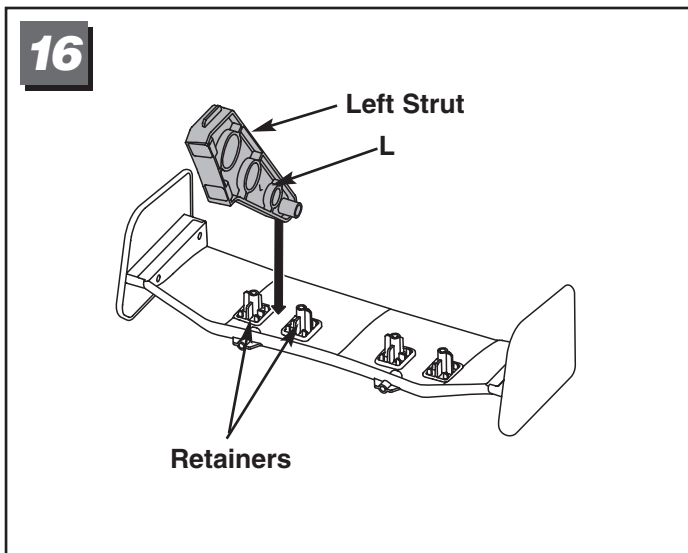


Hint: There is a left and right flap. Locate the **L** on the left flap and an **R** on the right flap.

- Turn the wing upside down. Fit the flaps to the sides of the wing.
- Insert two #8 x 3/4" screws into the inside edge of the wing and each flap. Tighten the screws.

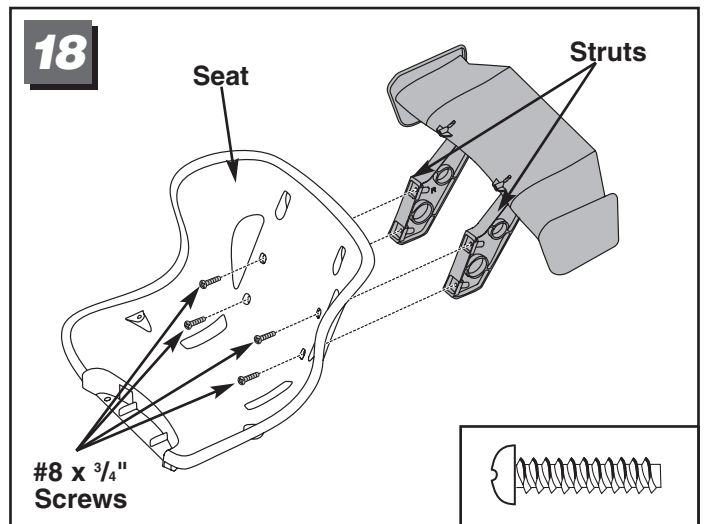


- Fit a cap over each retainer.
- Insert a #8 x 3/4" screw through each cap and tighten.
- Repeat steps 16 and 17 to assemble the right strut and remaining caps to the wing.



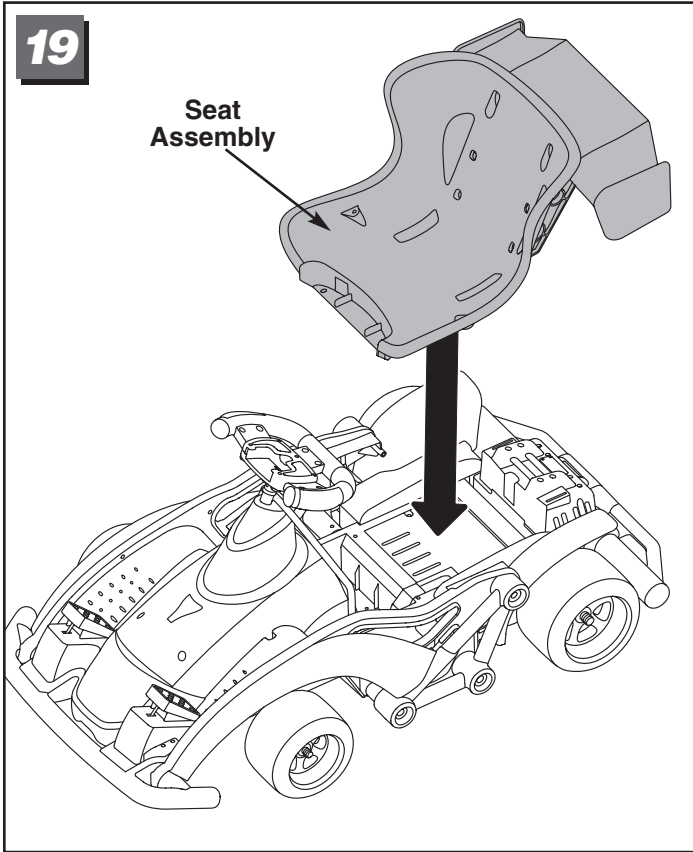
Hint: There is a left and right strut. Locate the **L** on the left strut and an **R** on the right strut.

- Position the left strut so that the L is facing inward.
- At an angle, fit the left strut between the retainers on the wing.

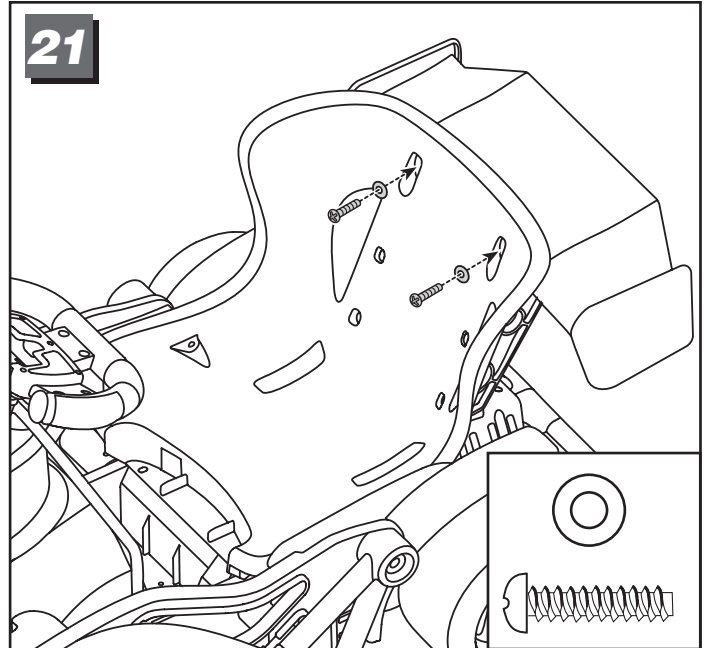


- Fit the wing struts to the back of the seat.
- Insert four #8 x 3/4" screws through the seat and into each strut. Tighten the screws.

Assembly



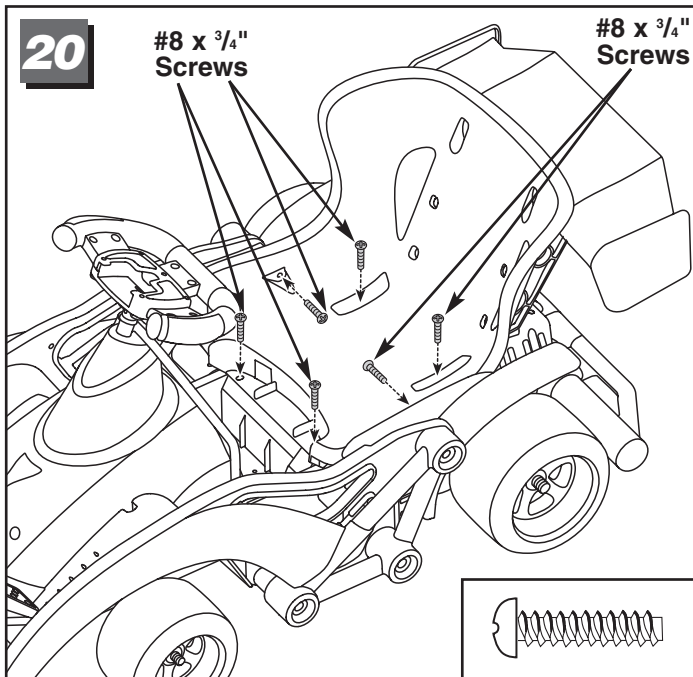
- Fit the seat assembly into the frame.



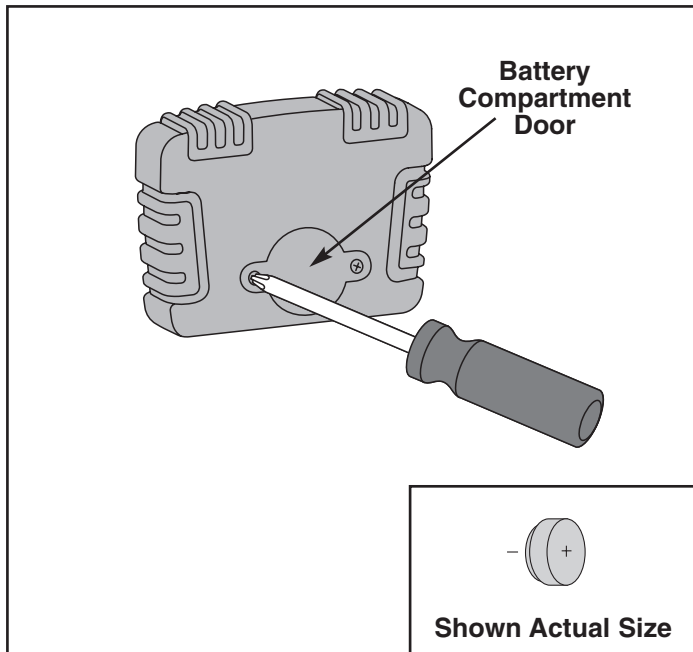
- Slide a $\frac{3}{16}$ " washer onto two #8 x $\frac{3}{4}$ " screws.
- Insert the #8 x $\frac{3}{4}$ " screws with washers through the seat and into the wing. Tighten the screws.

Hint: The wing is designed to be adjustable. Please refer to page 22 for information on how to adjust the wing.

Assembly is now complete.



- Insert six #8 x $\frac{3}{4}$ " screws through the seat and into the frame, as shown. Tighten the screws.



Hint: The stopwatch comes with an **alkaline** button cell battery. Use the following instructions only to replace the button cell battery.

- Loosen the screws in the stopwatch battery compartment door.
- Remove the battery compartment door and the worn LR44 button cell battery. Throw the worn battery away.
- Insert a new, **alkaline** LR44 button cell battery into the battery compartment.

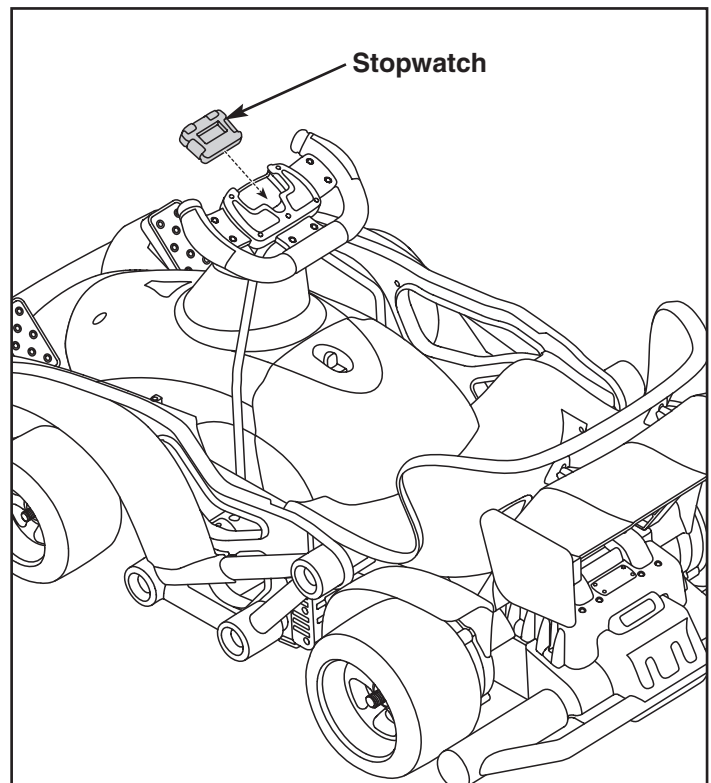
Hint: We recommend the use of an **alkaline** battery for longer battery life.

- Replace the battery compartment door and tighten the screws.

Battery Safety Information

Batteries may leak fluids that can cause a chemical burn injury or ruin your product. To avoid battery leakage:

- Do not mix old and new batteries or batteries of different types: alkaline, standard (carbon-zinc) or rechargeable (nickel-cadmium).
- Insert batteries as indicated inside the battery compartment.
- Remove batteries during long periods of non-use. Always remove exhausted batteries from the product. Dispose of batteries safely. Do not dispose of batteries in a fire. The batteries may explode or leak.
- Never short-circuit the battery terminals.
- Use only batteries of the same or equivalent type as recommended.
- Do not charge non-rechargeable batteries.
- Remove rechargeable batteries from the product before charging.
- If removable, rechargeable batteries are used, they are only to be charged under adult supervision.



- Slide the stopwatch into the groove in the steering wheel.

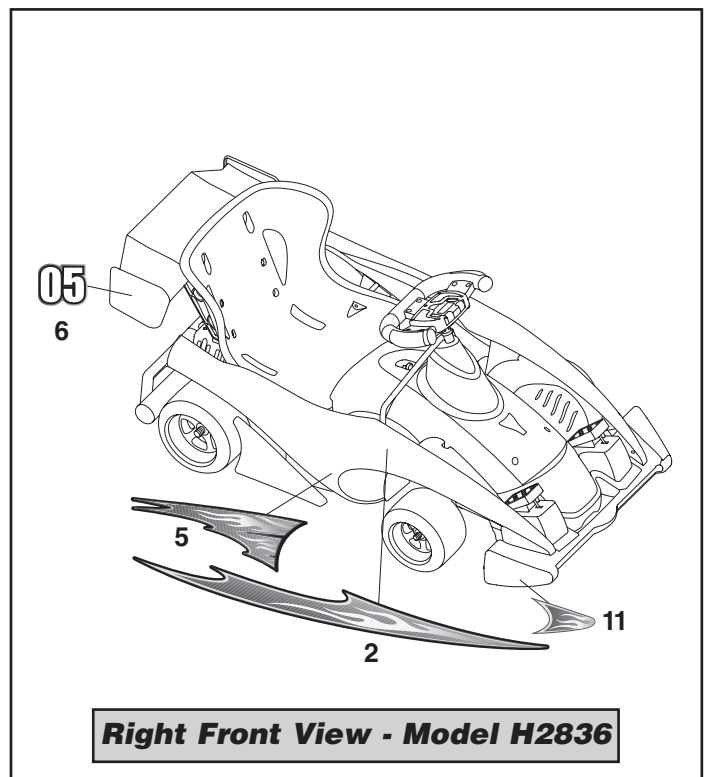
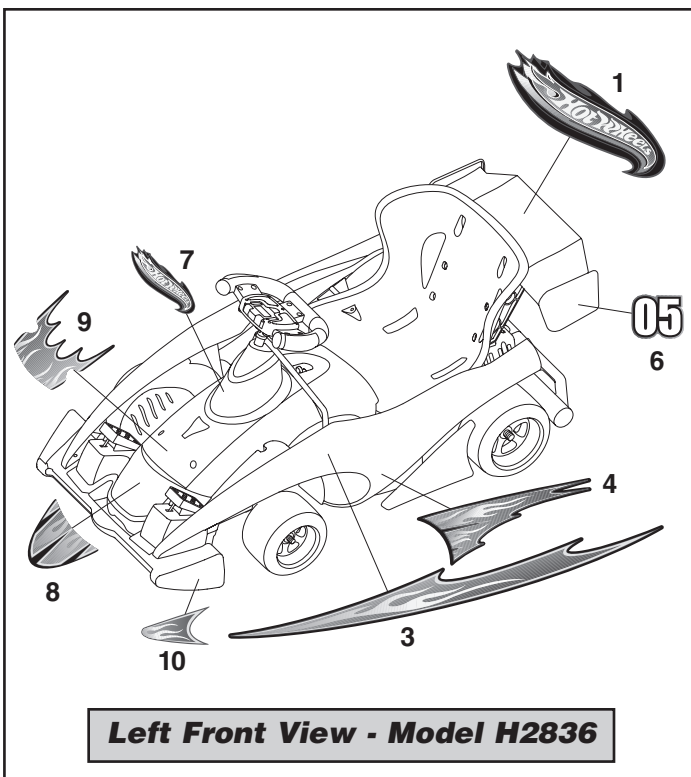
Recycle Information (U.S.A. Only)



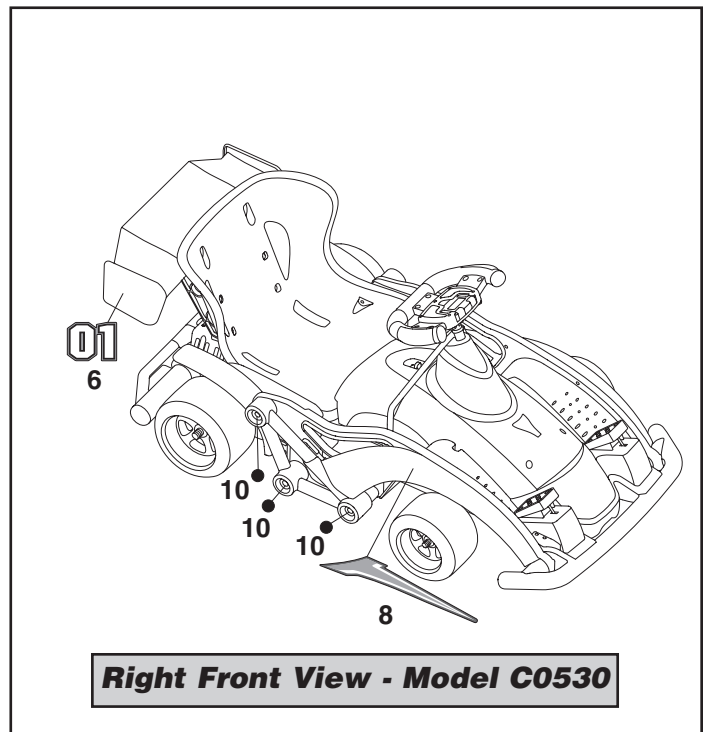
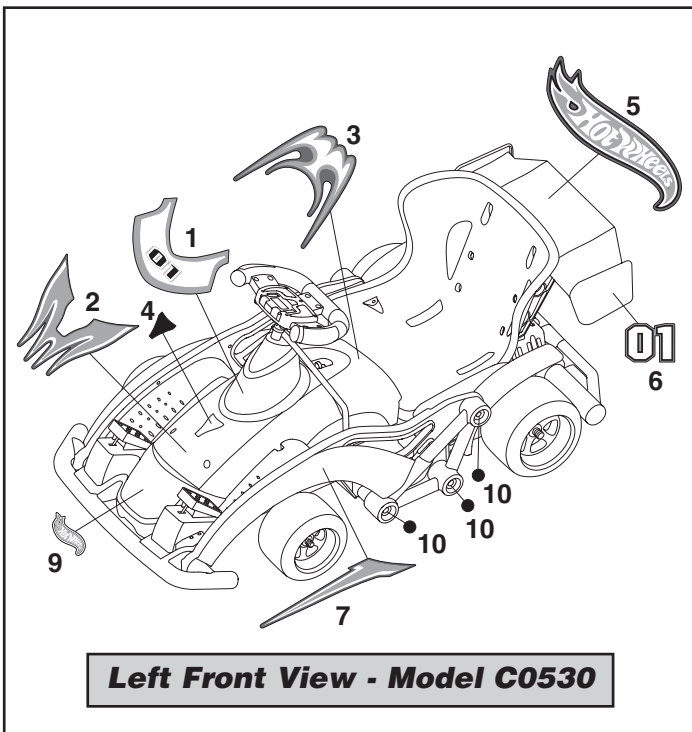
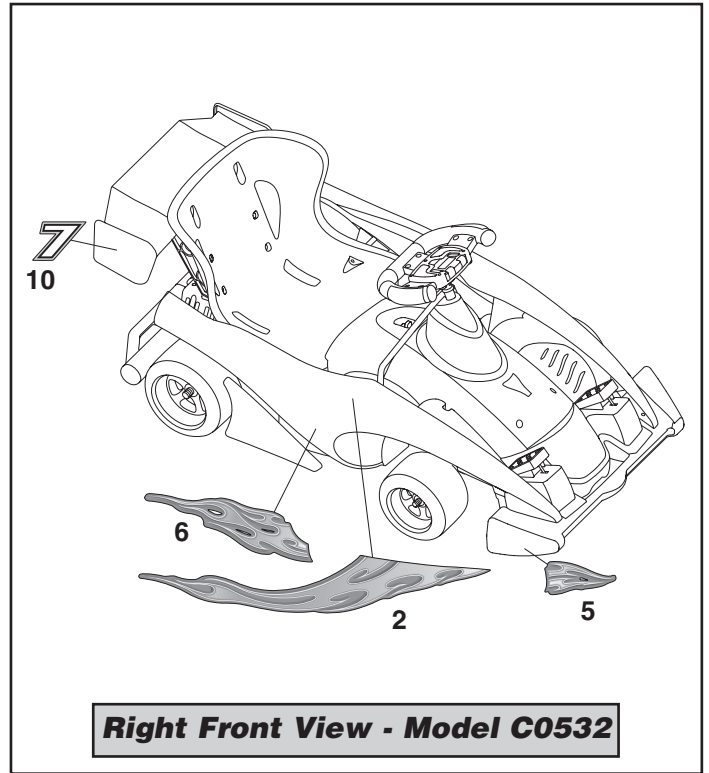
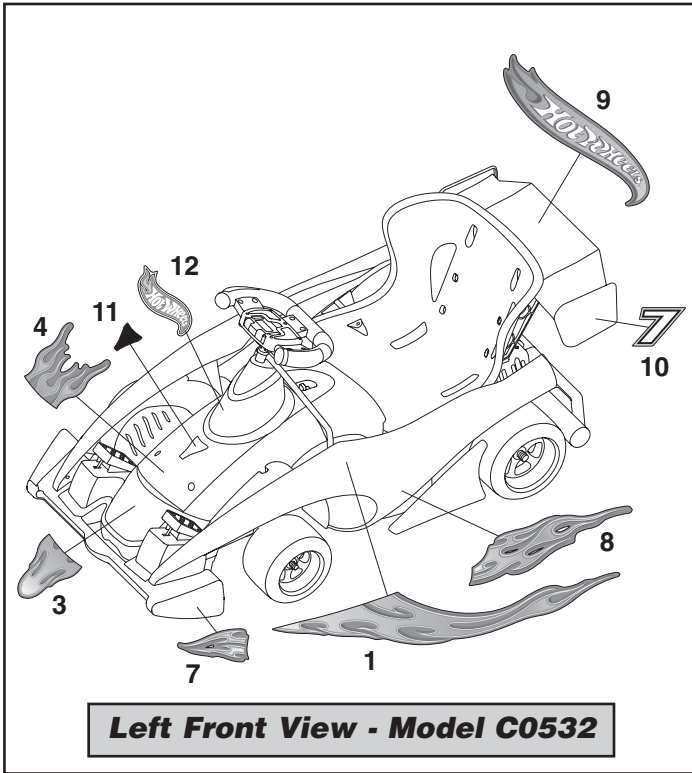
- If your product contains replaceable button cell batteries, please remove and recycle the battery(ies). If the batteries in your product are not replaceable, please recycle your product.
- Visit your nearest recycling center. For the location of the nearest recycling center, visit us online at www.service.mattel.com.
- If a recycling center is not available in your area, contact us for a pre-paid mailing label. Visit us online at www.service.mattel.com or call us toll-free, 1-800-432-5437.

Proper label application will help to keep the labels looking their best! When applying labels, keep the following guidelines in mind:

- Wash your hands before applying the labels.
- Before applying the labels, wipe the surface of the vehicle with a clean, dry cloth to remove any dust or oils.
- Place the labels exactly as shown in the illustrations.
- For best results, avoid repositioning a label once it has been applied to the vehicle.
- After applying a label, rub the label firmly with a clean, dry cloth to make sure the label is adhered to your vehicle. Start at the center of a label, and smooth towards the outer edges to remove air bubbles.



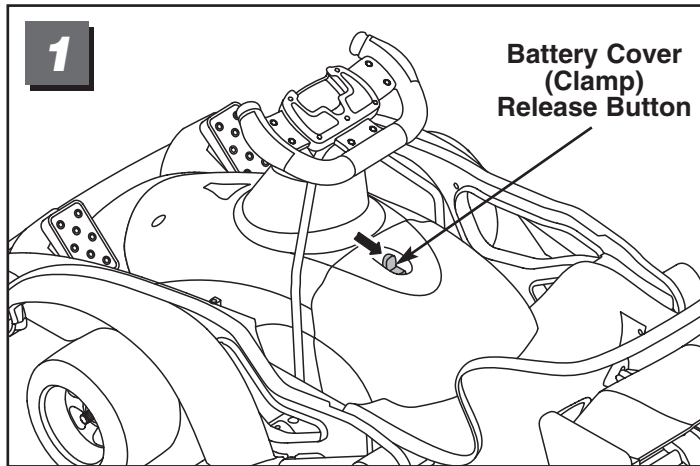
Label Decoration



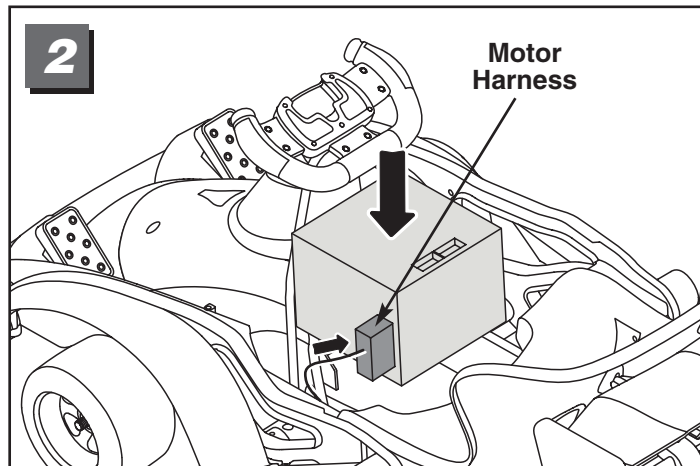
0

Battery Installation

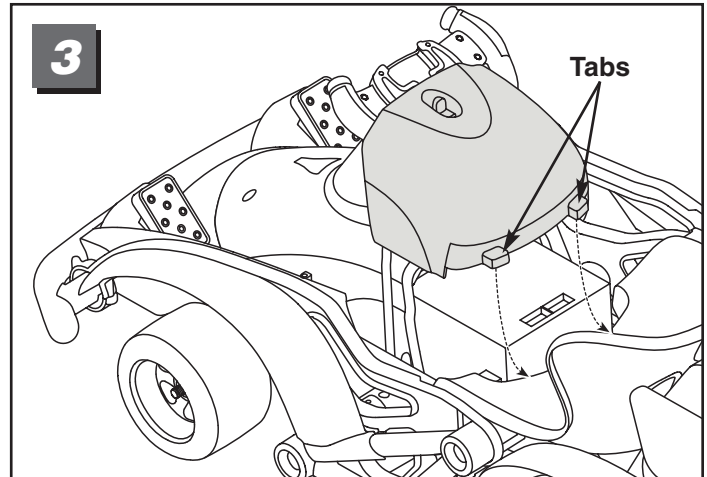
IMPORTANT! Use only a Power Wheels® 12 volt battery. Use of any other battery will damage your vehicle. Make sure that you charge the battery for at least 18 hours using the enclosed Power Wheels® 12 volt charger before operating your vehicle for the first time. Charge the battery for at least 14 hours after each use of the vehicle. Never charge the battery longer than 30 hours. Failure to follow these instructions may damage your battery and will void your warranty. It is easier to install the battery before assembling the hood to your vehicle.



- While pressing the release button on the battery cover (clamp), lift to remove the the battery cover (clamp).



- Plug the motor harness connector into the 12 volt battery. **Push firmly to make sure the connector is inserted properly.**
- Fit the battery into the battery compartment, as shown.



- Fit the tabs on the battery cover (clamp) into the slots under the seat.
- Lower the battery cover (clamp) and “snap” into place.

J

Battery Care and Disposal

Care

If a battery leak develops, avoid contact with the leaking acid and place the damaged battery in a plastic bag. Please refer to the information on this page for proper disposal.

If acid comes in contact with skin or eyes, flush with cool water for at least 15 minutes and call a physician.

If acid is internally ingested, give water, milk of magnesia or egg whites immediately. Never give emetics or induce vomiting. Call a physician.

- Charge a new battery for at least 18 hours before first use. Never charge the battery longer than 30 hours. Overcharging or undercharging the battery may shorten battery life and decrease vehicle running time.
- After the first charge, recharge the battery for at least 14 hours after each use. Never charge the battery longer than 30 hours. Charge the battery after each use, regardless of how long the vehicle was used.
- The battery must be upright while charging.
- Do not allow the battery to run down completely before charging.
- Charge the battery before storing the vehicle.
- Charge the battery at least once per month, even if the vehicle has not been used.
- Leaving the battery in a discharged condition will ruin it.
- If the vehicle will be stored for more than two months, be sure to disconnect the motorharness from the battery.
- Do not store the battery in temperatures above 75° F or below -10° F.
- Use only a Power Wheels® 12 volt battery. Remember to charge the new battery at least 18 hours before first time use.
- Prevent the battery from moving freely inside the battery compartment. Always use the battery clamp to secure the battery in the battery compartment.
- Examine the battery, charger and its connector for excessive wear or damage each time you charge the battery. If damage is detected, do not use the charger or the battery until you have replaced the worn or damaged part.
- Always remove an exhausted battery from the vehicle. Battery leakage and corrosion can damage the vehicle.

Disposal

- Your Power Wheels® battery is a sealed lead-acid battery. It must be recycled or disposed of in an environmentally sound manner.
- Do not dispose of a lead-acid battery in your regular, household trash. The incineration, landfilling or mixing of sealed lead-acid batteries with household trash is prohibited by law in most areas.
- Do not dispose of a lead-acid battery in a fire. The battery may explode or leak.
- Return exhausted batteries to a federal or state approved lead-acid battery recycler, such as a Power Wheels® authorized service center, or a local seller of automotive batteries. For the service center location nearest you, please call 1-800-348-0751. Contact your local waste management officials for other information regarding the environmentally sound collection, recycling and disposal of lead-acid batteries. If you live in the State of Florida or Minnesota, it is prohibited by law for anyone to throw away lead-acid batteries in the municipal waste stream.

RIDING HAZARD



WARNING

Prevent Injuries and Deaths

- Direct Adult Supervision Required.
 - Keep Children Within Safe Riding Areas
- These areas must be:
- away from swimming pools and other bodies of water to prevent drownings.
 - generally level to prevent tipovers.
 - away from steps, steep inclines, cars, roads and alleys.

Teach Safety Rules to Children

While children can quickly develop the skill necessary to drive this vehicle, it is important to remember that their judgment skills are still very immature. Unsupervised driving by children can lead to serious injury. Before children use this vehicle, an adult should carefully evaluate the driving area as well as the children's skill level and ability to drive this vehicle safely. Children are not always able to recognize or anticipate hazards, even when they have been taught about them. **THERE IS NO ACCEPTABLE SUBSTITUTE FOR DIRECT ADULT SUPERVISION.**

Teach appropriate safety rules to your child before allowing operation of this vehicle. These rules should also be reviewed with neighborhood children or other playmates who want to drive this vehicle.

Riding Rules

Make sure children know and follow these rules for safe driving:

1. Always sit on the seat.
2. Always wear shoes.
3. Always wear a helmet.
4. Never ride at night.
5. Only 1 (one) rider at a time. A child who is not sitting on the seat or who is standing on the vehicle could fall off, cause a tip-over or block the driver's view. A child could be seriously injured.
6. Do not allow any child to drive the vehicle in the street or near moving (motorized) vehicles.
7. Do not allow any child to drive near bodies of water (such as pools or creeks), obstructions (such as furniture, low tree limbs or play equipment), or drop-offs (such as stairs or decks).

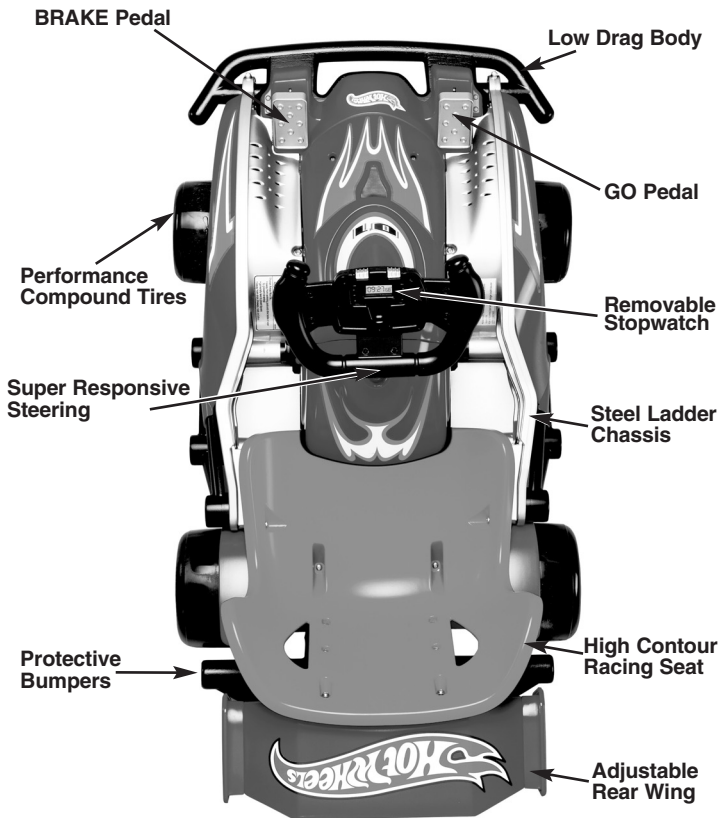
8. Do not allow any child to drive the vehicle in the dark. A child could encounter unexpected obstacles and have an accident. Operate the vehicle only in the daytime or a well-lit area.
9. Do not allow your child to drive on steep inclines. Restrict your child's driving to generally level ground **ONLY!**
10. Do not allow your child to drive down or across a steep slope.
 - The vehicle may gain unsafe speed, even if the brake pedal is pressed or the go pedal is released to stop.
 - The vehicle may tilt and tip over.
 - The wheels could lose traction, causing the vehicle to slip.
11. Do not allow your child to drive up steep inclines. The motor may stop and the vehicle could roll backwards at an unsafe speed.
12. Use this vehicle only outdoors on private property. Do not use in streets, alleys or other public thoroughfares.
13. Never put anything near any moving parts. Rotating parts such as motors, gear boxes and wheels can snag fingers, hair, etc., causing serious injury. Do not allow operation of the vehicle when it is on its side or in an upside-down position.
14. Do not operate the vehicle near flammable vapors (gasoline, paint thinner, acetone, liquid wax, etc.). The vehicle's electrical switches, like most electrical switches, emit an internal spark when first turned on or turned off. The presence of flammable liquids or vapors could cause an explosion or a fire. Keep all flammable products in tightly sealed containers and away from the vehicle.
15. Do not allow a child to operate the vehicle without direct adult supervision. To prevent unsupervised use of the vehicle, disconnect the motor harness from the battery when the vehicle is not in use.

To disconnect the motor harness connector and battery:

- Remove the battery cover (clamp).
- Unplug the motor harness connector from the battery.
- Replace the battery cover (clamp).

PERFORMANCE FEATURES

Heads up! This is no ordinary vehicle. It's a Hot Wheels™ Go-Kart, designed for speed and meant for racing. Here's some tips, tricks and track layouts to get you out of the gate and enhance go-kart racing thrills.



GET READY...



Working the Watch

Removable stopwatch sits right in the center of the steering wheel so you can thumb-clock your own time. Or, pop the watch out and hand it over to a designated timer!

- Press the right foot pedal to go! The vehicle moves up to 7 mph (depending on the rider's weight)!
- Press the left foot pedal to stop. The vehicle will also stop when the right pedal is released.
- Help your child practice steering to learn how far and how quickly to turn the steering wheel when driving forward.

Go-Kart Racing - Tips, Tricks & Tracks

GET SET...



The Checkered Flag

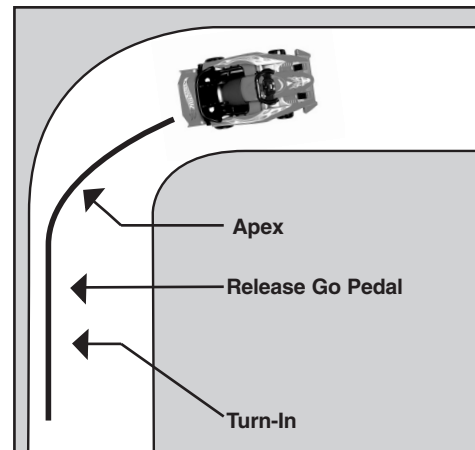
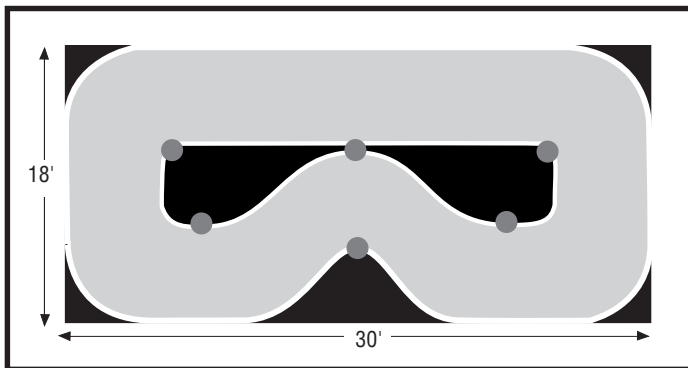
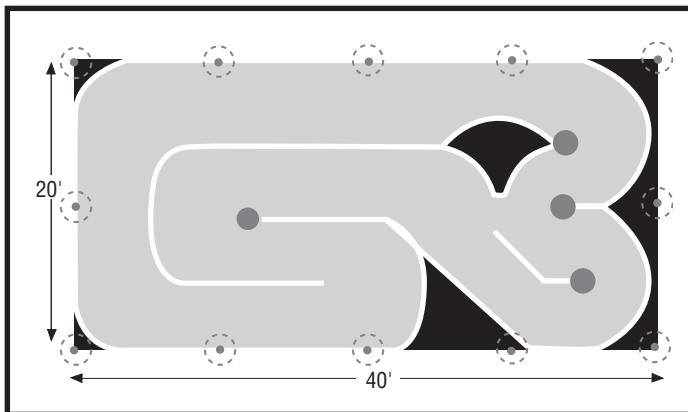
Use materials you have at home to make your own hand-held checkered flag. Paper and felt are excellent flag materials; sticks, straws or wooden dowels make good stems. Copy the black-and-white checkered flag pattern; add some glue or tape to stick it all together!

Wave the checkered flag to signal the start of a race and each time a kart crosses the finish line.

Once you've got a track design in mind, it's time to **set up** the course. Use your turn maker stencil and chalk (included with your kart) to mark turns. Set pylons to mark boundaries. All kinds of common household materials and objects make great track markers. With the help of an adult, gather things like duct tape, milk jugs (filled with sand or water), garden hoses, 2 x 4 lumber, PVC pipe, paper plates, colourful plastic cups – just about anything you can put to use – to set-up and mark your track. Draw a START/FINISH line and you're ready to race!

GO!

Speed is king when it comes to go-kart racing, but strategy and driving skill are important components for achieving your best times. Here are some tips to help you smoke your competition and best the clock.



Track designs are limited only by your imagination. To help you get started, we've included a few recommended track designs.

Remember: Your kart is low and lean so always race on a smooth surface.

Experiment with lots of twists, turns, straights and figure-eights—the best race tracks are the ones that are fun to drive! A closed-loop track with a single START/FINISH line is great for racing. It doesn't require a lot of space and it allows you to "lap the track" as many times as you want.

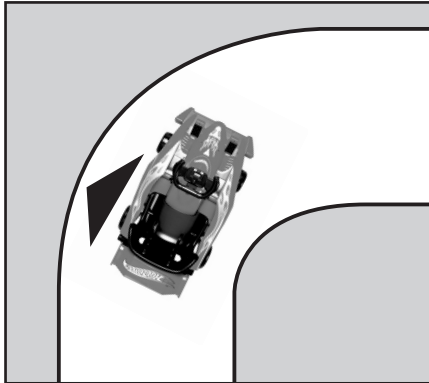
The Start

It helps to know a track before you race. Become familiar with the curves and corners of your track. Always remember to choose your best driving line. At the start of a race, pull your kart right up to the START line. Keep your reflexes sharp and be ready to put the pedal to the metal at the wave of the checkered flag. Always remember to start your stopwatch at the beginning of each run.

Hugging Turns and Cornering

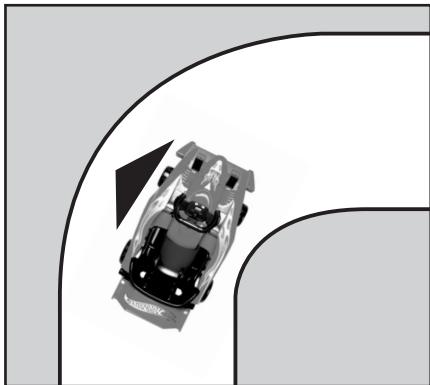
There are three phases to proper cornering. When you approach a curve, **turn in** and point the front end of your kart toward the center of the turn. Release the GO pedal slightly to slow the car just enough to smoothly drive through the **apex**, or center, then accelerate to **exit**. Remember: turn smooth and corner smart!

Go-Kart Racing - Tips, Tricks & Tracks



Oversteer

Oversteer gives the front tires more grip on the track. Shifting your weight forward when turning will create more steering control. Oversteer is useful on low traction surfaces.



Understeer

Understeer is just the opposite of oversteer. When you want less front tire grip, lean back in the cockpit of your kart when turning. Understeer is useful on high traction surfaces.



Adjusting the Rear Wing

A low drag body and adjustable rear wing gives your Hot Wheels™ Go-Kart an aerodynamic (air-o-die-nam-ic) advantage. That means that air flows over and around the kart efficiently, which contributes to speed. You can adjust the rear wing on your kart. (At really high racing speeds, rear wings on real race cars are used to prevent back-end lift.)

M

Caring For Your Vehicle

- Check all screws, cap nuts and protective coverings regularly and tighten as required. Check plastic parts on a regular basis for cracks or broken pieces.
- During snowy or rainy weather, the vehicle should be stored inside or under a protective cover. Remember to charge the battery at least once per month while your vehicle is not in regular use.
- Do not operate the vehicle in wet or snowy conditions. Never immerse any part of the product. Water or moisture in the motors or electrical switches can cause them to corrode and could cause switch or motor failure.
- Avoid operating the vehicle on sand, loose dirt or gravel. Sand, loose dirt or gravel in the motors or electrical switches can cause them to jam and could cause switch or motor failure.
- The vehicle can be wiped down with a soft, dry cloth. For a shiny finish, you can wipe plastic parts with a non-wax furniture polish applied to a soft-cloth. Do not use automotive wax. Do not use soap and water or spray the vehicle with a hose.
- To ensure that your vehicle stays in good operating order, we recommend that you periodically have your vehicle checked by a Power Wheels® authorized service center. For the location of the authorized service center nearest to you, visit us on-line at www.powerwheels.com.

Problems and Solutions Guide

IMPORTANT! If you experience a problem with your vehicle, first check the Problems and Solutions Guide below. If you still experience a problem, please contact Power Wheels® Consumer Relations, toll-free at **1-800-348-0751** between 8 AM and 6 PM (EST) Monday through Friday. Or, contact your local Power Wheels® authorized service center. For the location nearest you, please visit us on-line at www.powerwheels.com.

Problem	Possible Cause	Solution
Vehicle does not run	Undercharged battery	Charge the battery. A new battery should have been charged for at least 18 hours before using the vehicle for the first time. After first-time use, recharge the battery for at least 14 hours after each use. Never charge the battery longer than 30 hours.
		Check all connectors. Make sure the charger connector is plugged into the battery, and that the charger is plugged into the wall.
		Make sure power flow to the wall outlet is "ON".
	Charger is not working	There is no sure way to tell if your charger is working unless you have a volt meter. If you suspect there is a problem with your charger, contact your local Power Wheels® authorized service center. They can test your charger for you.
	Tripped thermal fuse	Each Power Wheels® 12 volt battery has a built-in thermal fuse. A thermal fuse may "trip" and shut down operation of the vehicle if the vehicle is overloaded or the driving conditions too severe. The fuse will automatically reset itself after approximately 25 seconds, allowing the vehicle to resume normal operation. To avoid repeated automatic shutdowns, do not overload the vehicle by exceeding the 120 lb. maximum weight capacity or by towing anything behind the vehicle. Do not drive up hills or run into fixed objects, which can cause the wheels to stop spinning while power is still being supplied to the motors. If a thermal fuse continually trips, contact your local Power Wheels® authorized service center.
	Loose wire or loose connectors	Check all wires and connectors. Make sure the motor harness connector is plugged into the battery, and that there are no loose wires around the motors.
	Dead battery	If your battery is old or if you have not followed Battery Care instructions, your battery may be dead. If you are unsure whether or not the battery is dead, you can have it tested at your local Power Wheels® authorized service center.
	Electrical switch damage	The electrical switches can become corroded due to exposure to water or moisture, or can jam due to loose dirt, sand or gravel. Contact your local Power Wheels® authorized service center for diagnosis and repair.
Motor damage	Contact your local Power Wheels® authorized service center for diagnosis and repair.	
Vehicle was running but suddenly stopped	Loose wire or loose connectors	Check all wires and connectors. Make sure the motor harness connector is plugged into the battery, and that there are no loose wires around the motors.
	Tripped thermal fuse	Each Power Wheels® 12 volt battery has a built-in thermal fuse. A thermal fuse may "trip" and shut down operation of the vehicle if the vehicle is overloaded or the driving conditions too severe. The fuse will automatically reset itself after approximately 25 seconds, allowing the vehicle to resume normal operation. To avoid repeated automatic shutdowns, do not overload the vehicle by exceeding the 120 lb. maximum weight capacity or by towing anything behind the vehicle. Do not drive up hills or run into fixed objects, which can cause the wheels to stop spinning while power is still being supplied to the motors. If a thermal fuse continually trips, contact your local Power Wheels® authorized service center.

Problems and Solutions Guide

Problem	Possible Cause	Solution
Short run time (Less than 1 - 3 hours per charge)	Undercharged battery	Charge the battery. A new battery should have been charged for at least 18 hours before using the vehicle for the first time. After first-time use, recharge the battery for at least 14 hours after each use. Never charge the battery longer than 30 hours.
		Check all wires and connectors. Make sure the charger connector is plugged into the battery, and that the charger is plugged into the wall.
		Make sure power flow to the wall outlet is "ON".
	Overcharged battery	Do not charge the battery longer than 30 hours. If you suspect that your battery is damaged as a result of overcharging, contact your local Power Wheels® authorized service center. They can test your battery for you.
	Battery is old and will not accept full charge	Even with proper care, a rechargeable battery does not last forever. Average battery life is 1 to 3 years depending on vehicle use and use conditions. Replace the battery with a new Power Wheels® 12 volt rechargeable battery. Do not substitute parts.
	Tripped thermal fuse	Each Power Wheels® 12 volt battery has a built-in thermal fuse. A thermal fuse may "trip" and shut down operation of the vehicle if the vehicle is overloaded or the driving conditions too severe. The fuse will automatically reset itself after approximately 25 seconds, allowing the vehicle to resume normal operation. To avoid repeated automatic shutdowns, do not overload the vehicle by exceeding the 120 lb. maximum weight capacity or by towing anything behind the vehicle. Do not drive up hills or run into fixed objects, which can cause the wheels to stop spinning while power is still being supplied to the motors. If a thermal fuse continually trips, contact your local Power Wheels® authorized service center.
Vehicle runs sluggishly	Undercharged battery	Charge the battery. A new battery should have been charged for at least 18 hours before using the vehicle for the first time. After first-time use, recharge the battery for at least 14 hours after each use. Never charge the battery longer than 30 hours.
		Check all connectors. Make sure the charger connector is plugged into the battery, and that the charger is plugged into the wall.
		Make sure power flow to the wall outlet is "ON".
	Battery needs charging	Be sure to charge the battery after each use.
	Battery is old and will not accept full charge	Even with proper care, a rechargeable battery does not last forever. Average battery life is 1 to 3 years depending on the vehicle use and use conditions. Replace the battery with a new Power Wheels® 12 volt rechargeable battery. Do not substitute parts.
	Vehicle is overloaded	Make sure you do not overload the vehicle by allowing more than one rider at one time, by exceeding the 120 lb. maximum weight capacity, or by towing objects behind the vehicle.
	Driving conditions are too stressful	Use only on generally level ground.

Problems and Solutions Guide

Problem	Possible Cause	Solution
Sometimes the vehicle doesn't run, but other times it does	Loose wire or connector	Check all wires around the motors and all connectors to make sure they are tight.
	Motor or electrical switch damage	Contact your local Power Wheels® authorized service center for diagnosis and repair.
When the go foot pedal is pressed, the vehicle won't run without a push	Loose wire or connector	Check all wires around the motors and all connectors to make sure they are tight.
	"Dead Spot" on motor	Contact your local Power Wheels® authorized service center for diagnosis and repair.
Loud clacking or grinding noise from a motor-gearbox	Broken gears	Contact your local Power Wheels® authorized service center for diagnosis and repair.
Charger gets warm during use	It is normal for some chargers to get warm during use and is not reason for concern.	No action required.
		If your charger does not get warm during use, it does not mean that it is not working properly.
Battery makes a sizzling or gurgling noise when charging	It is normal for some battery to make noise and swell slightly while charging and is not reason for concern.	No action required.
		If your battery does not make noise or swell slightly during charging, it does not mean that it is not accepting the charge.
Stopwatch display is faint or stopwatch does not function at all.	LR44 button cell battery is dead	Replace the LR44 button cell battery in the stopwatch.

If, after reviewing the Problems and Solutions Guide, the vehicle still fails to operate, please contact your nearest authorized service center or contact Power Wheels® Consumer Relations toll-free at **1-800-348-0751**.

Hint! For faster service when calling Consumer Relations, completely charge the battery before calling and have the following available by the phone:

- vehicle,
- vehicle model number (see label in battery compartment),
- vehicle production run number (see label in battery compartment).

0

Bumper-to-Bumper* Limited Warranty

***One year limited warranty from the date of purchase on the Power Wheels® vehicle.**

Six month limited warranty on the 12 volt battery.

For the original purchaser, this one year limited warranty covers the Power Wheels® ride-on vehicle (purchased from Power Wheels®) against defects in materials and workmanship. The six month limited warranty applies only to the 12 volt battery included by Power Wheels® with the original purchase of the vehicle.

This warranty covers normal use and does not cover the Power Wheels® vehicle or battery if damaged by unreasonable use, neglect, accident, abuse, misuse, improper service or other causes not arising out of defects in materials or workmanship. Evidence of any attempt at consumer repair will void this warranty. **THIS WARRANTY DOES NOT COVER, AND IS INTENDED TO EXCLUDE, ANY LIABILITY ON THE PART OF POWER WHEELS®, WHETHER UNDER THIS WARRANTY OR IMPLIED BY LAW FOR ANY INDIRECT OR CONSEQUENTIAL DAMAGES FOR BREACH OF WARRANTY. SOME STATES DO NOT ALLOW THE EXCLUSION OR LIMITATION SO THIS LIMITATION MAY NOT APPLY TO YOU.**

Should you need service or assistance with your vehicle during the warranty period, **do not return the vehicle to the store.** Power Wheels® has provided a nationwide network of authorized service centers. Power Wheels® is continually expanding our Authorized Service Center Network. If there is not an authorized service center in your area, please call Consumer Relations for information, **1-800-348-0751**.

THIS WARRANTY GIVES YOU SPECIFIC LEGAL RIGHTS, AND YOU MAY ALSO HAVE OTHER RIGHTS WHICH MAY VARY FROM STATE TO STATE.

PLEASE SAVE YOUR ORIGINAL SALES RECEIPT.

Note: This equipment has been tested and found to comply with the limits for a Class B digital device, pursuant to Part 15 of the FCC Rules. These limits are designed to provide reasonable protection against harmful interference in a residential installation. This equipment generates, uses and can radiate radio frequency energy and, if not installed and used in accordance with the instructions, may cause harmful interference to radio communications. However, there is no guarantee that interference will not occur in a particular installation. If this equipment does cause harmful interference to radio or television reception, which can be determined by turning the equipment off and on, the user is encouraged to try to correct the interference by one or more of the following measures:

- Reorient or relocate the receiving antenna.
- Increase the separation between the equipment and receiver.
- Consult the dealer or an experienced radio/TV technician for help.

Note: Changes or modifications not expressly approved by the manufacturer responsible for compliance could void the user's authority to operate the equipment.

IMPORTANT!

DO NOT use this vehicle for the first time until you have charged the battery for 18 hours.

Remember to...

- ✓ Charge the battery immediately after each use.
- ✓ Charge the battery once a month during storage, even if the vehicle has not been used.

Failure to follow these instructions will permanently damage your battery and void your warranty. Please refer to the Battery Care Section in this manual for more information. For high speed operation, please refer to the "How to Operate Your Vehicle" section in this manual for more information.

DO NOT Return your Vehicle to the Store!



If you are missing parts or need assistance, please call us toll-free:

Power Wheels® Consumer Relations

1-800-348-0751

8 AM - 6 PM EST, Monday through Friday.

Or contact your local, **independently owned and operated** Power Wheels® Authorized Service Center.

For the location nearest you, visit us on-line at www.powerwheels.com.



Mattel, Flame Logo, and color "Hot Wheels Blue" and associated trademarks designated by a ™ are trademarks of Mattel, Inc. in the U.S. and/or other countries.

Fisher-Price, Power Wheels, and Power Wheels by Fisher-Price, Power Lock and Power Stick are U.S. trademarks of Mattel, Inc.

©2005 Mattel, Inc. All Rights Reserved. ® and ™ are registered trademarks of Mattel Inc.

Fisher-Price, Inc., a subsidiary of Mattel, Inc., East Aurora, New York 14052 U.S.A.