



# Dora Jeep WRANGLER®

Please read this manual and save it with your original sales receipt.

Tools needed for assembly: Phillips Screwdriver, Hammer, and Safety Scissors (all not included); Assembly Tool (included).

Use only with a Power Wheels® 6 Volt Rechargeable Battery with A-style Connector and Built-in Thermal Fuse and a Power Wheels® Super 6™ Volt Charger (both included).



Product features may vary from the picture above.



©2005 Viacom International Inc. Nickelodeon, Nick Jr., Dora the Explorer and all related titles, logos and characters are trademarks of Viacom International, Inc.

Jeep® and the Jeep® grille design are registered trademarks of DaimlerChrysler. Jeep®, Wrangler® and its trade dress are used under license. ©DaimlerChrysler Corporation 2005.



## Owner's Manual with Assembly Instructions

For Model H4435

# TABLE OF CONTENTS

<b>A</b> Important Information .....	2
<b>B</b> Warnings and Cautions .....	3
<b>C</b> Parts .....	4
<b>D</b> Parts Picture .....	6
<b>E</b> Battery Charging .....	7
<b>F</b> Assembly .....	9
<b>G</b> Decoration .....	17
<b>H</b> Battery Installation .....	19
<b>I</b> Battery Care and Disposal .....	20
<b>J</b> Safe Driving Rules .....	21
<b>K</b> Vehicle Operation .....	22
<b>L</b> Vehicle Care .....	22
<b>M</b> Limited Warranty .....	23
<b>N</b> Problems and Solutions Guide .....	24

## A

## IMPORTANT INFORMATION

- Your new vehicle requires adult assembly. Please set aside at least 60 minutes for assembly.
- You must charge your battery for 18 - 30 hours **before you use your vehicle for the first time**. We recommend that you start charging your battery before beginning assembly. Please see Battery Charging beginning on page 7 for detailed instructions.
- Read this manual carefully for important safety information and operating instructions before using your vehicle. Keep this manual for future reference as it contains important information.
- This vehicle is designed for use on: grass, asphalt and other hard surfaces; on generally level terrain; and by children 2 - 6 years of age and older.
- Make sure children know and follow these rules for safe driving and riding:
  - always sit on the seat.
  - always wear shoes.
  - only 1 (one) rider at a time.
- Use this vehicle **ONLY** outdoors. Most interior flooring can be damaged by riding this vehicle indoors. Fisher-Price® will not be responsible for damage to the floor if the vehicle is used indoors.
- To prevent damaging the motors and gears, teach your child to stop the vehicle before switching direction. Do not tow anything behind the vehicle or overload it. Do not exceed the maximum weight capacity of 65 lbs (29.5 kg).
- If you have any questions about your Power Wheels® vehicle, please call our toll-free service lines at **1-800-348-0751** from 8 AM to 6 PM (EST) Monday through Friday. Trained customer service representatives are available to take your call in English or French. Habla Español? Si usted tiene alguna pregunta ó necesita asistencia llame gratis **1-800-348-0755** para los Estados Unidos. Tenemos representantes que hablan español para atender su llamada.
- For your convenience, Power Wheels® maintains an Authorized Service Center Network with more than 400 independently owned and operated authorized service centers nationwide. The authorized service centers will repair or replace parts under warranty at no extra charge, and can perform non-warranty repairs for a minimal charge. To find the authorized service center nearest you, please visit us on-line at [www.powerwheels.com](http://www.powerwheels.com) or call **1-800-348-0751**.
- To register your vehicle, please visit us on-line at [www.powerwheels.com](http://www.powerwheels.com).

## ELECTRICAL HAZARD

### **WARNING**

- Battery can fall out and injure a child if vehicle tips over. Always use battery retainer.
- **PREVENT FIRE**
  - Never modify the electrical system. Alterations could cause a fire resulting in serious injury and could also ruin the electrical system.
  - Use of the wrong type battery or charger could cause a fire or explosion resulting in serious injury.
  - Use of Power Wheels® components in products other than Power Wheels® vehicles could cause overheating, fire or explosion.
- The battery must be handled by adults only. The battery is heavy and contains sulfuric acid (electrolyte). Dropping the battery could result in serious injury.
- Never allow children to charge the battery. Battery charging must be done by adults only. A child could be injured by the electricity involved in charging the battery.
- Never lift or carry the battery by the wires or connector. This can damage the battery and possibly cause a fire resulting in serious injury. Lift and carry the battery by the case only.
- Read the safety instructions on the battery.
- Examine the battery, charger and their connectors for excessive wear or damage each time you charge the battery. If damage or excessive wear is detected, do not use the charger or the battery until you have replaced the worn or damaged part.
- **HOT** motors. Handle carefully.

## RIDING HAZARD

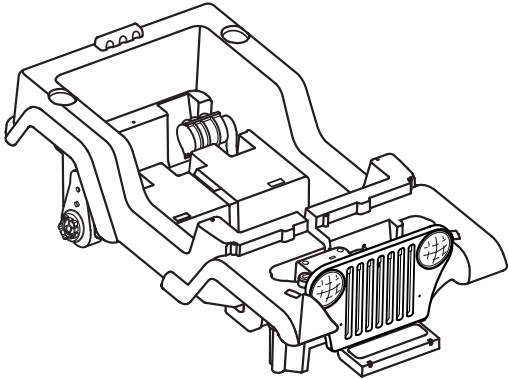
### **WARNING**

- **Prevent Injuries and Deaths**
  - Direct Adult Supervision Required
  - Never Ride at Night.
  - Keep Children Within Safe Riding Areas.  
These areas must be:
    - away from swimming pools and other bodies of water to prevent drownings
    - generally level to prevent tipovers
    - away from steps, cars, steep inclines, roads and alleys.

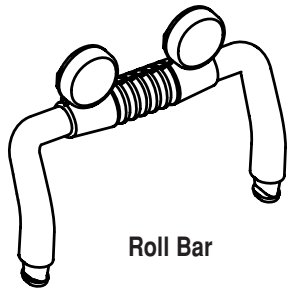
### **CAUTION**

- In the unassembled state, this package contains small parts. Adult assembly is required.
- Use the charger in dry locations only.

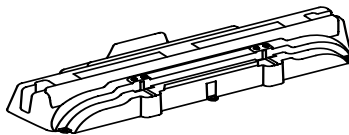
- If you experience a problem with this product, or are missing a part, please call us at **1-800-348-0751**, rather than return this product to the store.
- Please identify all parts before assembly and save all packaging material until assembly is complete to ensure that no parts are discarded.
- Metal parts have been coated with a lubricant to protect them during shipment. Wipe all metal parts with a paper towel to remove any excess lubricant.



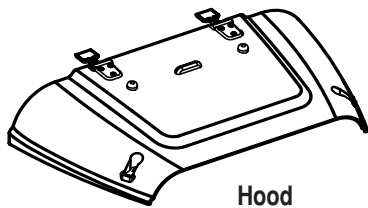
Vehicle



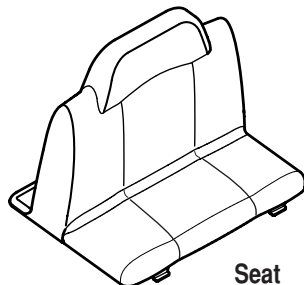
Roll Bar



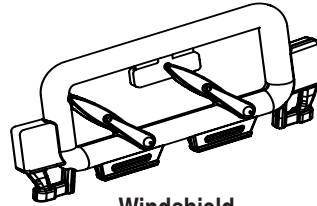
Dashboard



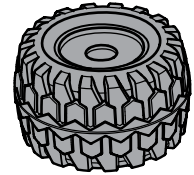
Hood



Seat



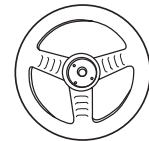
Windshield



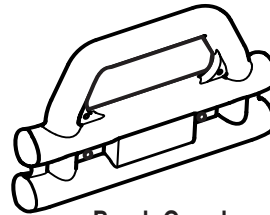
Wheel - 4



Hubcap - 4



Steering Wheel



Brush Guard



Driver - 2



Map with Clip



Backpack with Holder



Steering Linkage



Steering Column



Rear Axle



Steering Wheel Cap



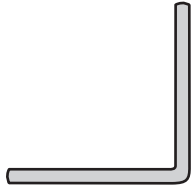
Bushing - 2



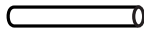
Hood Latch - 2



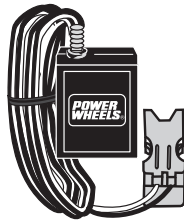
Long Bushing - 2



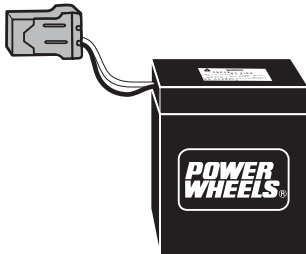
Front Axle - 2  
(Located in motors in back end of vehicle.)



Spacer - 2



Super 6™ Volt Charger



6 Volt Battery

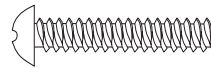


Assembly Tool

Part Not Shown: Label Sheet - 2



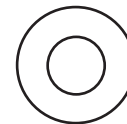
#8 x 4" Screw - 2



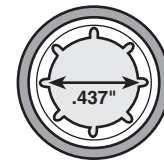
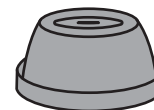
#8 x 1" Screw - 2



#10 x 1" Screw - 11



Washer - 4

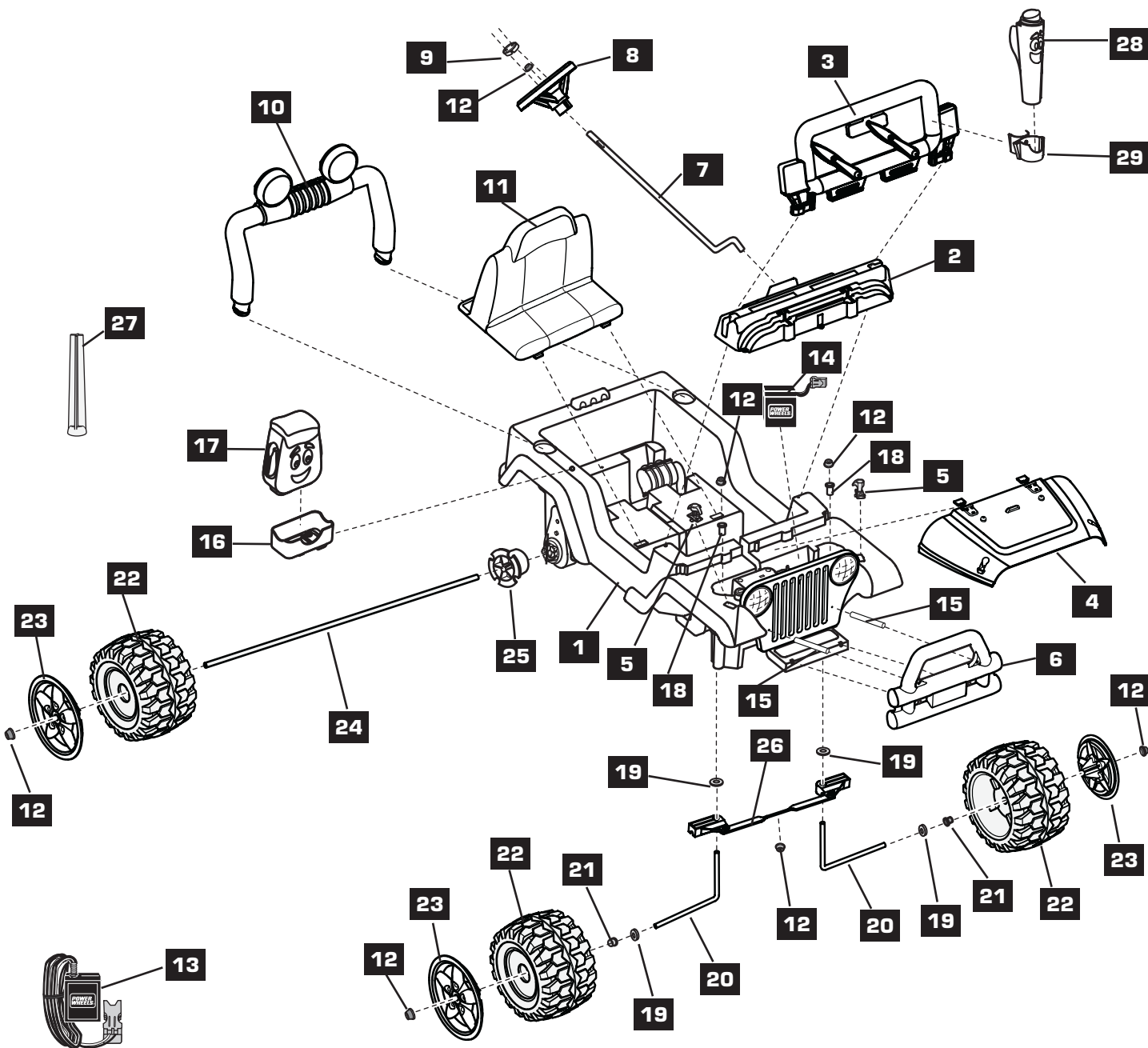


.437 Cap Nut - 8

For your convenience, we included extra fasteners!  
**Note:** Tighten and loosen all screws with a Phillips screwdriver.  
 Do not over-tighten the screws.

Fasteners Shown Actual Size

**Hint:** Some parts shown are assembled on both sides of the vehicle.



<b>1</b> Vehicle	<b>7</b> Steering Column	<b>14</b> 6 Volt Battery	<b>21</b> Bushing - 2	<b>28</b> Map
<b>2</b> Dashboard	<b>8</b> Steering Wheel	<b>15</b> Spacer - 2	<b>22</b> Wheel - 4	<b>29</b> Clip
<b>3</b> Windshield	<b>9</b> Steering Wheel Cap	<b>16</b> Backpack Holder	<b>23</b> Hubcap - 4	<b>Parts Not Shown</b>
<b>4</b> Hood	<b>10</b> Roll Bar	<b>17</b> Backpack	<b>24</b> Rear Axle	#10 x 1" Screw - 11
<b>5</b> Hood Latch - 2	<b>11</b> Seat	<b>18</b> Long Bushing - 2	<b>25</b> Rear Wheel Driver - 2	#8 x 4" Screw - 2
<b>6</b> Brush Guard	<b>12</b> .437 Cap Nut - 8	<b>19</b> Washer - 4	<b>26</b> Steering Linkage	#8 x 1" Screw - 2
	<b>13</b> Super 6™ Volt Charger	<b>20</b> Front Axle - 2	<b>27</b> Assembly Tool	Label Sheet - 2

## ELECTRICAL HAZARD

 **WARNING**

- Battery can fall out and injure a child if vehicle tips over. Always use battery retainer.
- **PREVENT FIRE**
  - Never modify the electrical system. Alterations could cause a fire resulting in serious injury and could also ruin the electrical system.
  - Use of the wrong type battery or charger could cause a fire or explosion resulting in serious injury.
  - Use of Power Wheels® components in products other than Power Wheels® vehicles could cause overheating, fire or explosion.
- The battery must be handled by adults only. The battery is heavy and contains sulfuric acid (electrolyte). Dropping the battery could result in serious injury.
- Never allow children to charge the battery. Battery charging must be done by adults only. A child could be injured by the electricity involved in charging the battery.
- Never lift or carry the battery by the wires or connector. This can damage the battery and possibly cause a fire resulting in serious injury. Lift and carry the battery by the case only.
- Read the safety instructions on the battery.
- Examine the battery, charger and their connectors for excessive wear or damage each time you charge the battery. If damage or excessive wear is detected, do not use the charger or the battery until you have replaced the worn or damaged part.

 **CAUTION**

Use the charger in dry locations only.

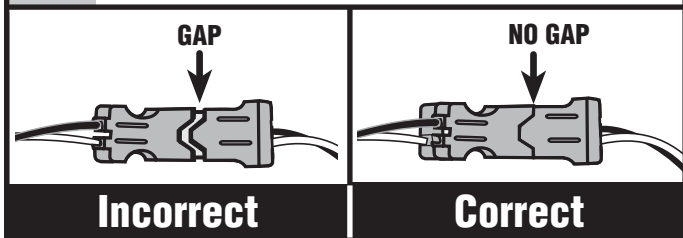
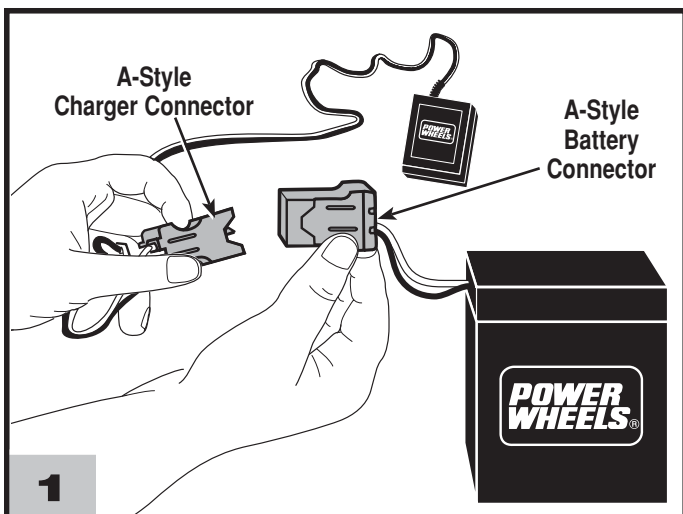
**About Thermal Fuses**

Your Power Wheels 6 volt battery with A-style connector is equipped with a built-in thermal fuse. The thermal fuse is a self-resetting safety device which automatically “trips” and shuts down operation of the vehicle if the vehicle is overloaded or the driving conditions too severe. Once a fuse has “tripped”, it will automatically reset itself after approximately 25 seconds and allow the vehicle to resume normal operations. To avoid repeated automatic shut-downs, do not overload the vehicle by exceeding the 65 lbs (29.5 kg.) maximum weight capacity or by towing anything behind the vehicle. Avoid severe driving conditions, such as driving up slopes or running into fixed objects, which can cause the wheels to stop spinning while power is still being supplied to the motors and make sure your child stops the vehicle before switching speeds or direction.

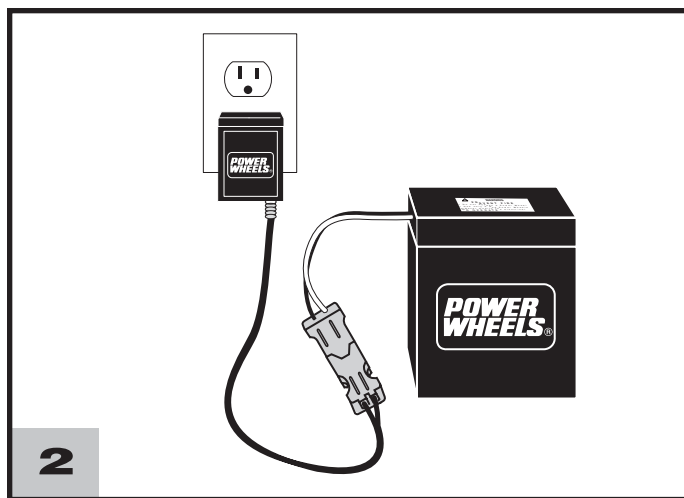
If a thermal fuse in a battery continually trips under normal driving conditions, please contact your local Power Wheels® Authorized Service Center. For the location of the Authorized Service Center nearest to you, visit us on-line at [www.powerwheels.com](http://www.powerwheels.com), or call 1-800-348-0751.

**Important Notes**

- **Your new battery must be charged for at least 18 hours before you use it in your vehicle for the first time.**
- We recommend that you start charging your battery before beginning assembly of your new vehicle.
- The battery must be upright while charging.
- The charger is not a toy.
- Do not short circuit the battery.
- You do not need to remove the battery from your vehicle to recharge it.
- Before charging the battery, examine the battery case for cracks and other damage which may cause sulfuric acid (electrolyte) to leak during the charging process. If damage is detected, do not charge the battery or use it in your vehicle. Battery acid is very corrosive and can cause severe damage to surfaces it contacts.
- Do not charge the battery on a surface (such as a kitchen counter top) which could be damaged by the acid contained inside the battery. Take precautions to protect the surface on which you charge your battery.
- Use only a Power Wheels® Super 6™ volt charger with an A-style connector (120 VAC, 60 Hz, 15W with an output of 6 VDC, 7.2W) to charge your Power Wheels® 6 volt battery.
- **Adults Note:** Regularly examine the charger for damage to the cord, plug, housing or other parts that may result in the risk of fire, electric shock or injury. In the event of any damage, do not use the charger until the damage has been properly repaired. Please call 1-800-348-0751.
- If your battery is old and will not accept a charge, do not leave it in the vehicle. Always remove a dead battery from the vehicle.



- Plug the battery connector and charger connector together. Push firmly to make sure the two connectors are completely joined.

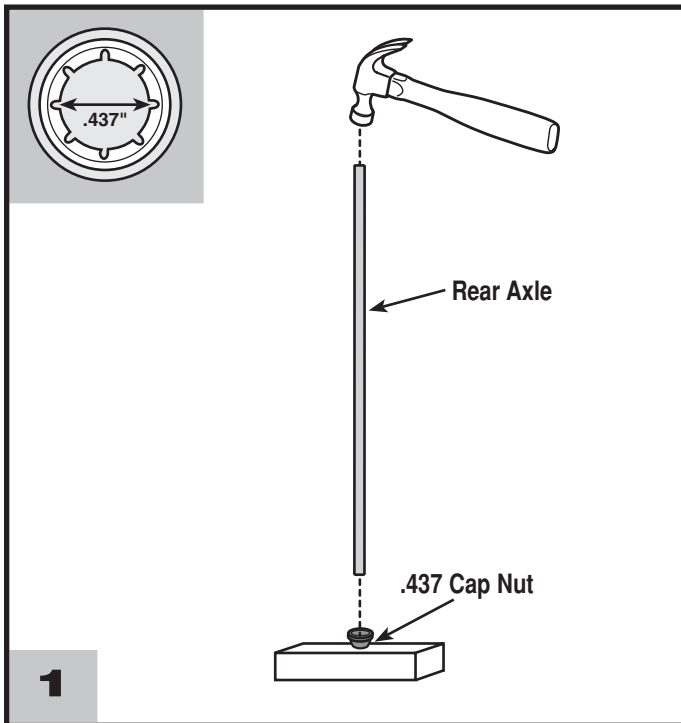


- Plug the charger into a standard 120 volt wall outlet.
- Note:** If power flow to the wall outlet is controlled by a switch, make sure the switch is "ON".
- **Before first time use, charge the battery for at least 18 hours.** Never charge the batteries longer than 30 hours.
  - **Recharge the battery for at least 14 hours** after each use of your vehicle. Do not charge a battery longer than 30 hours.
  - Once the battery is charged, disconnect the charger connector from the battery connector. Unplug the charger from the wall outlet. The battery is now charged and is ready to be installed in your vehicle.

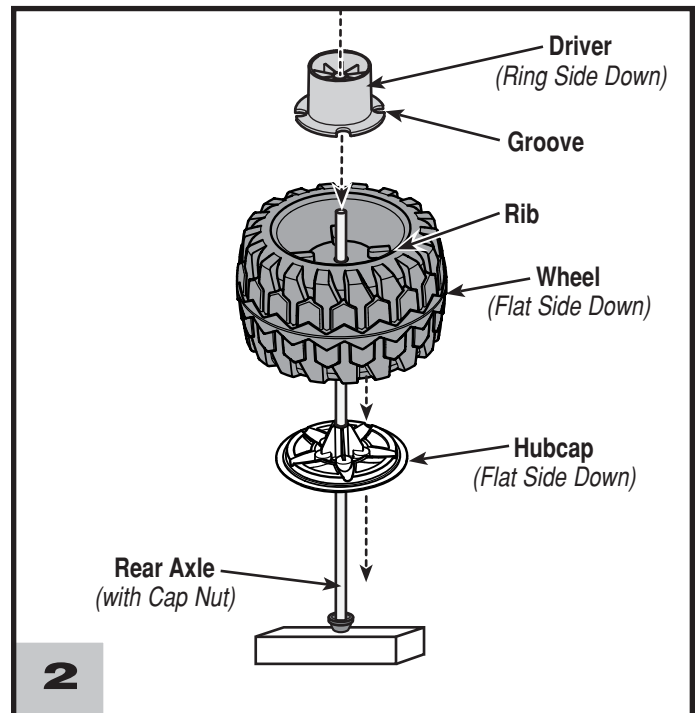


## ⚠ WARNING

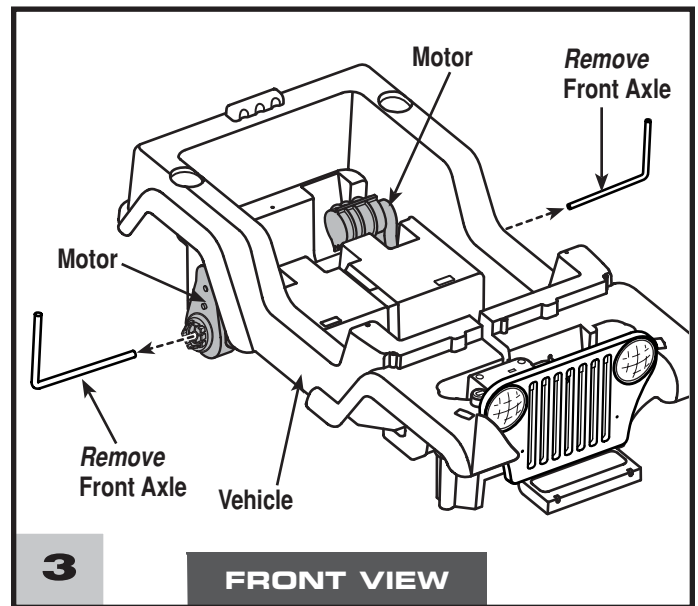
Children can be harmed by small parts, sharp edges and sharp points in the vehicle's unassembled state, or by electrical items. Care should be taken in unpacking and assembly of the vehicle. Children should not handle parts, including the battery, or help in assembly of the vehicle.



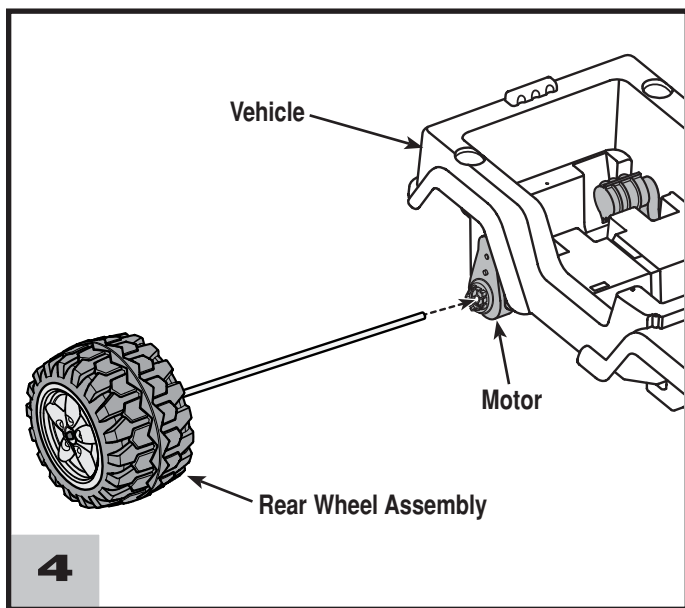
- Place a .437 cap nut on a flat surface, inside up, as shown.
- Hint:** You may want to place a scrap block of wood underneath the cap nut to protect the assembly surface.
- Fit the rear axle into the cap nut.
- Tap the opposite end of the rear axle with a hammer to secure the cap nut in the rear axle. Pull on the cap nut to be sure it is secure.



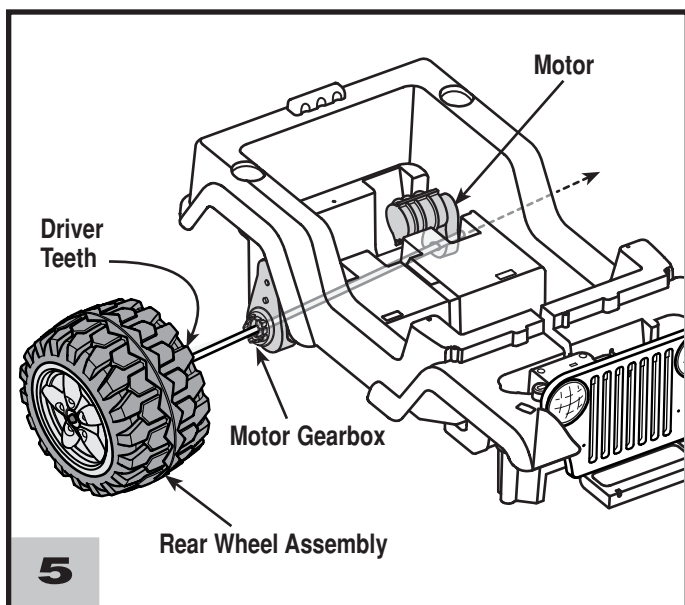
- Slide a hubcap (flat side down), a wheel (flat side down) and a driver (ring side down) on the rear axle.
- Make sure the ribs on the wheel fit into the grooves in the driver.



- **Carefully remove** the front axles from the motors in the vehicle.
- Hint:** Keep the motors in place in the vehicle for the next assembly step.

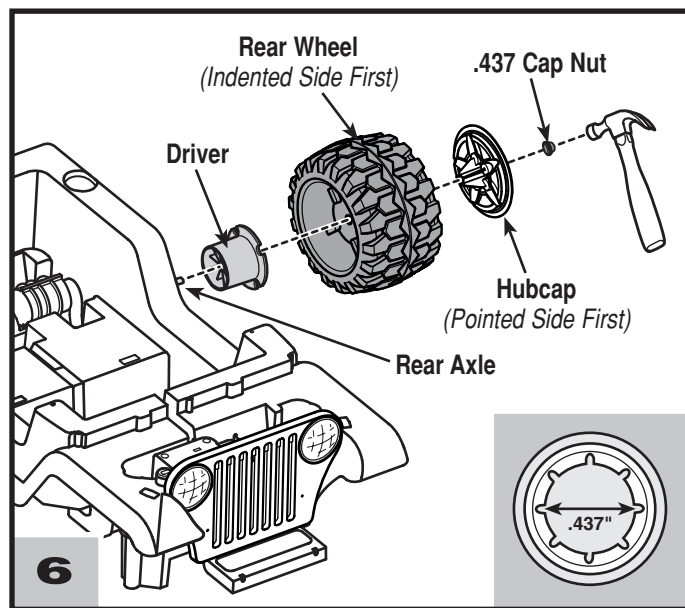


- Slide the rear wheel assembly through a motor and the back end of the vehicle.



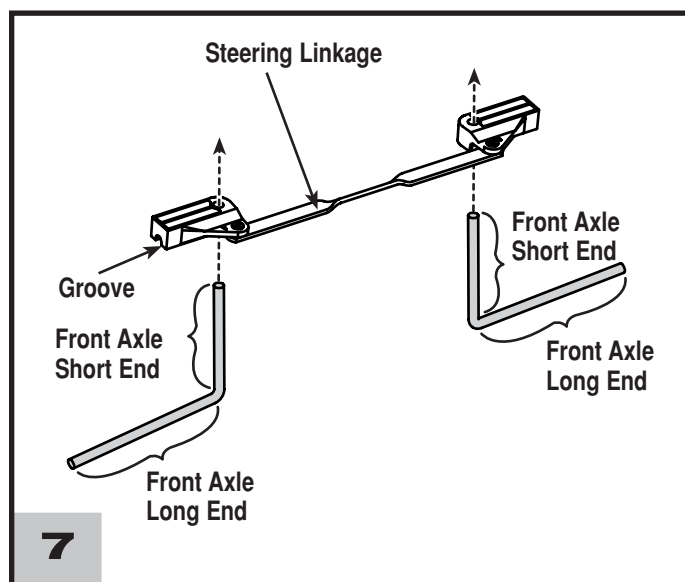
- Continue to slide the rear wheel assembly through the back end of the vehicle and out through the other motor.

**Note:** Make sure the teeth in the driver fit into the motor gearbox.

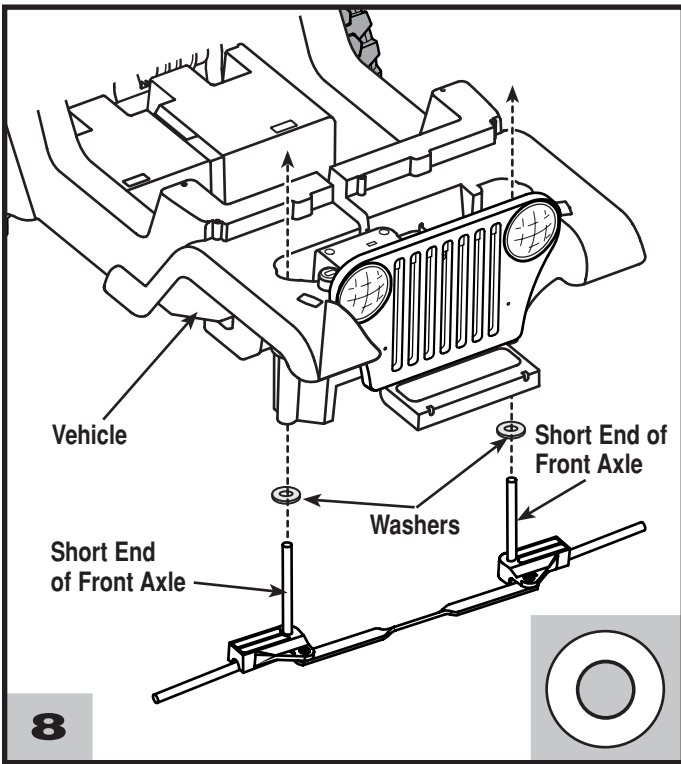


- Fit the other driver onto the end of the rear axle. Make sure the teeth in the driver fit into the motor gearbox.
- Slide a wheel (*indented side first*) and hubcap (*pointed side first*) onto the end of the rear axle. Make sure the ribs on the wheel fit into the grooves in the driver.
- Fit a .437 cap nut on the end of the rear axle.
- Tap the cap nut with a hammer to secure the cap nut on the rear axle. Pull on the cap nut to be sure it is secure.

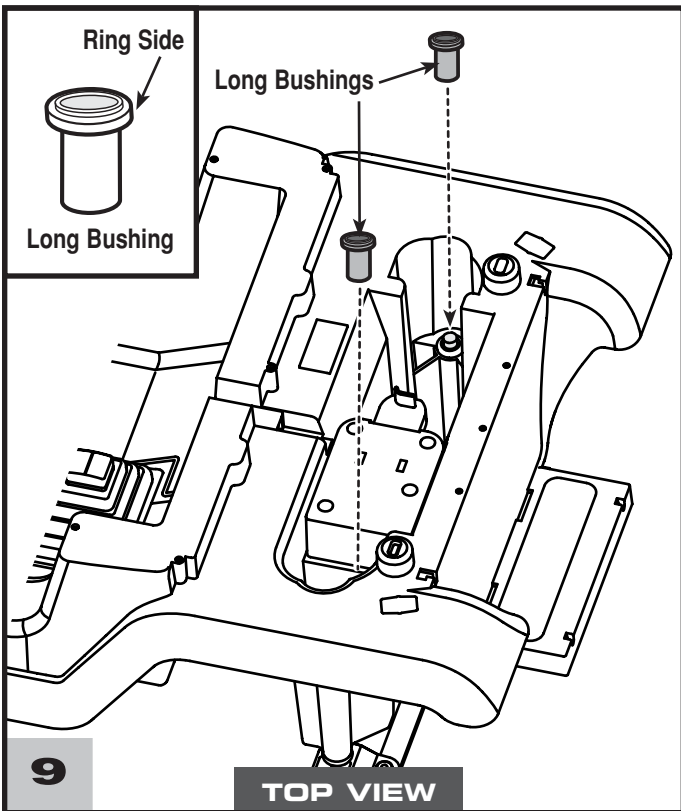
**Hint:** You may need the help of another adult to support the other end of the rear axle assembly while you tap the cap nut.



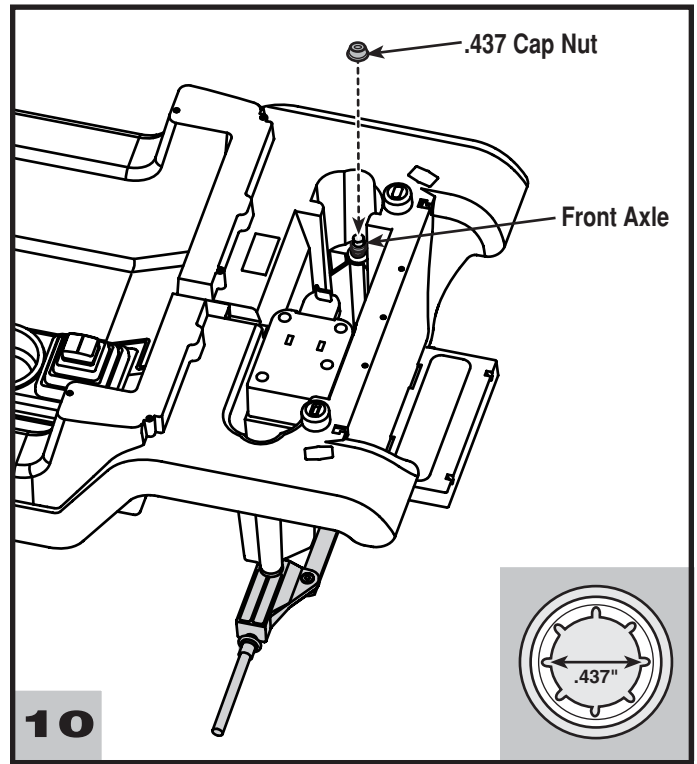
- Fit short end of the front axles up through the holes in the underside of the steering linkage. Make sure the long end of each front axle fits into the groove on each end of the steering linkage.



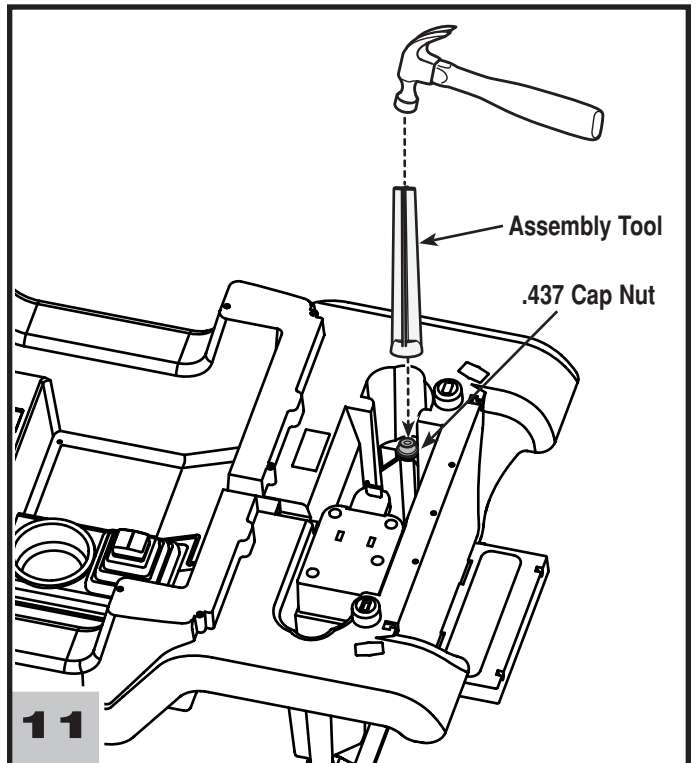
- Slide a washer onto the short end of each front axle.
- Lift the front end of the vehicle.
- Fit the front axles up through the holes in the underside of the vehicle.



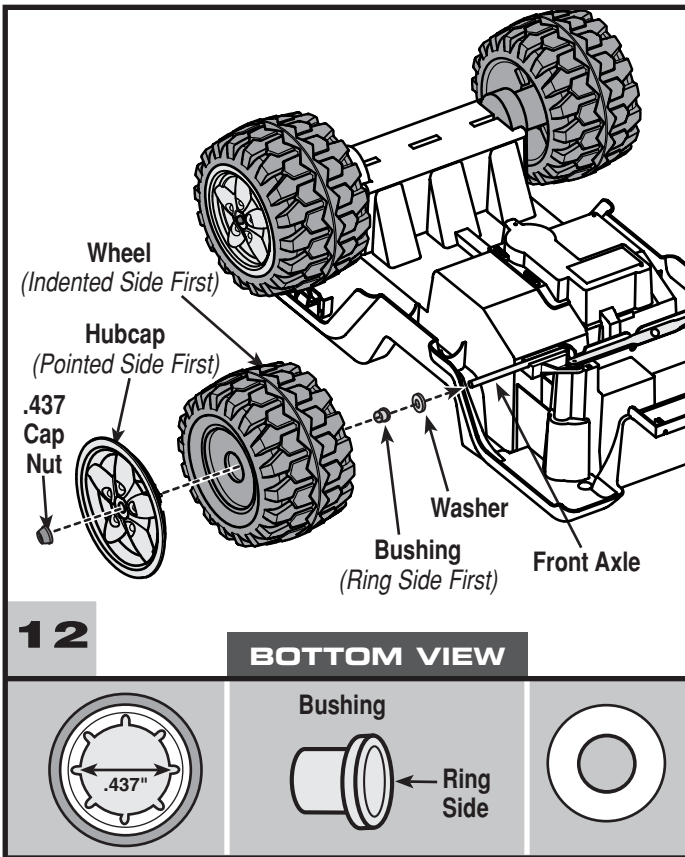
- While holding the steering linkage assembly in place, fit a long bushing (*ring side up*) onto the end of each front axle.
- Push each long bushing so that it fits completely into the vehicle.



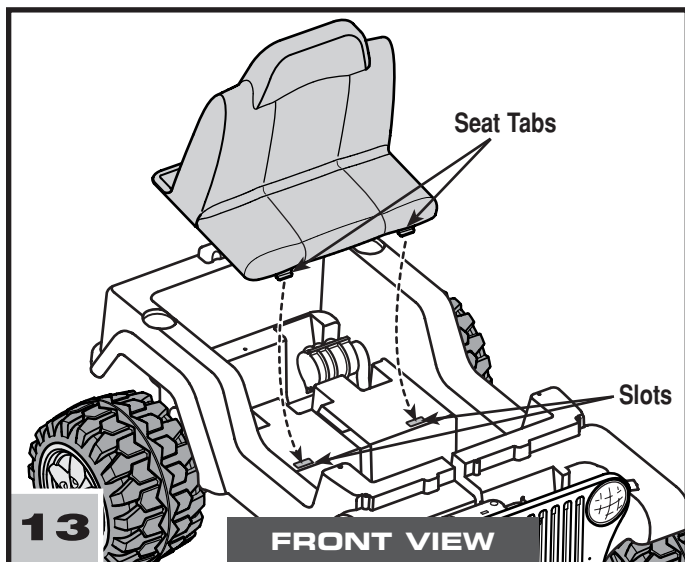
- Fit a .437 cap nut onto the end of each front axle.



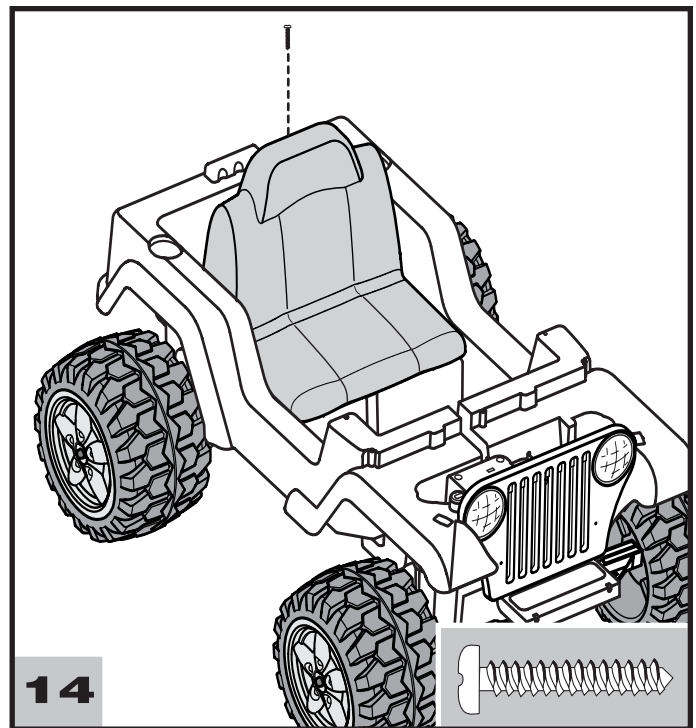
- Fit the assembly tool onto the cap nut.
- While supporting the front axle/steering linkage assembly, tap the assembly tool with a hammer to secure the cap nut on the end of the front axle. Pull on the cap nut to be sure it is secure.
- Repeat this procedure to fasten a .437 cap nut to the other front axle. Throw the assembly tool away.



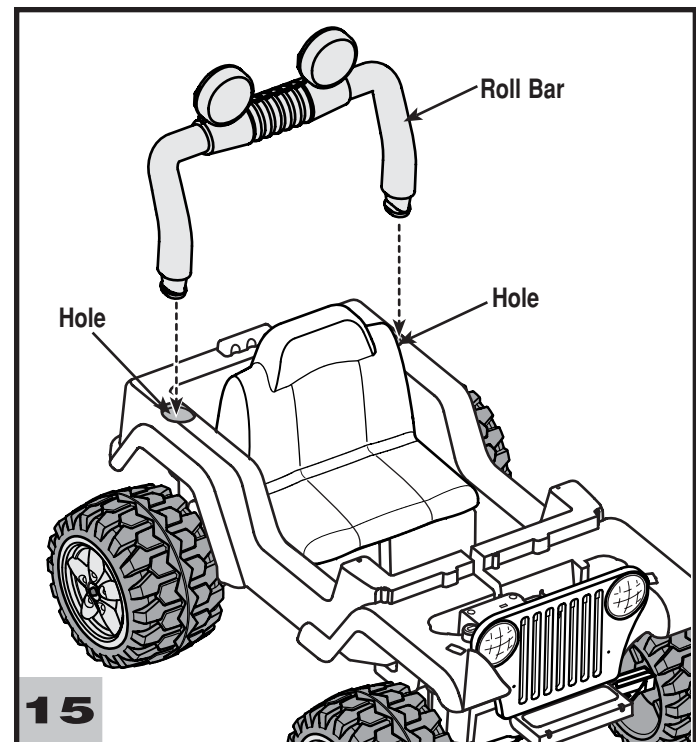
- Turn the vehicle upside down on a flat surface.
- Fit a washer, bushing (*ring side first*), wheel (*indented side first*) and hubcap (*pointed side first*) onto one of the front axes.
- Fit a .437 cap nut onto the end of the front axle.
- Tap the cap nut with a hammer to secure the cap nut on the front axle. Pull on the cap nut to be sure it is secure.
- Repeat this procedure to assemble the other washer, bushing, wheel, hubcap and .437 cap nut to the other front axle.



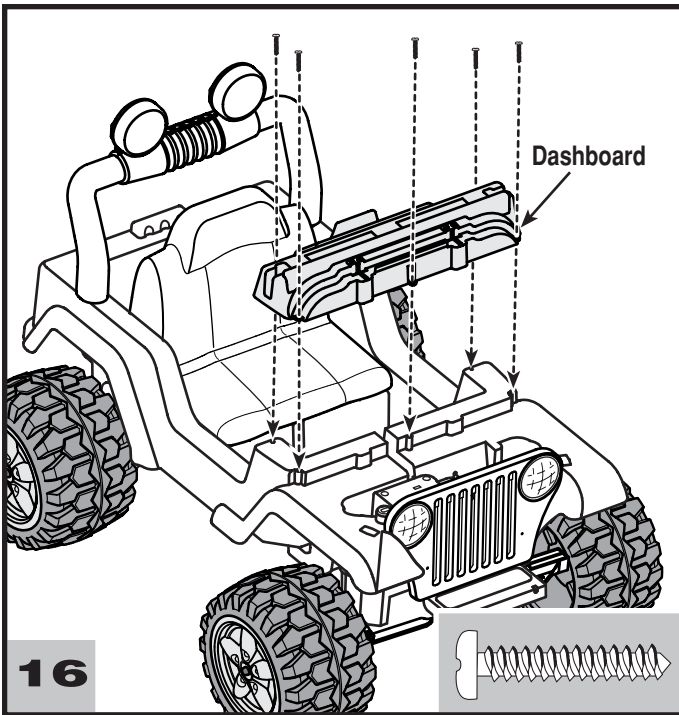
- Turn the vehicle upright.
- Fit both tabs on the front end of the seat into the slots in the vehicle.



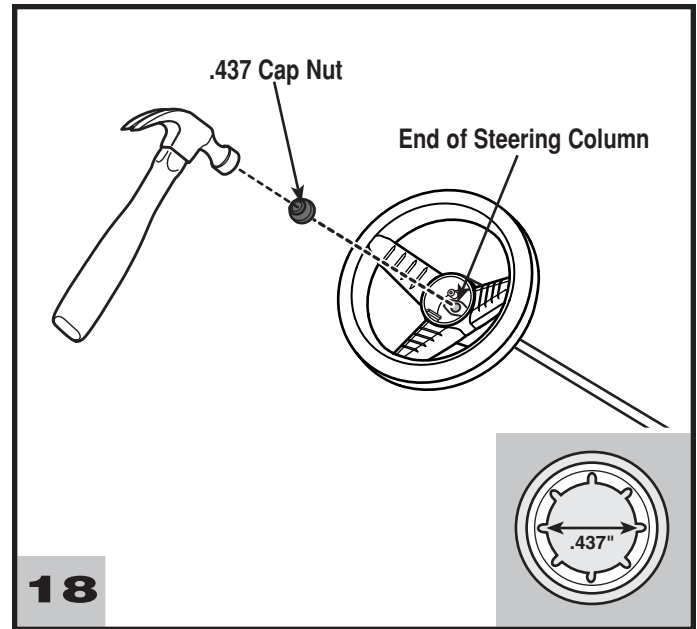
- Insert a #10 x 1" screw into the back edge of the seat. Tighten the screw.



- Position the roll bar so that it **bends toward the back end** of the vehicle.
- Insert and "**snap**" the roll bar into the large holes in the top side of the vehicle, as shown.
- Pull up on the roll bar to be sure it is secure.


**16**

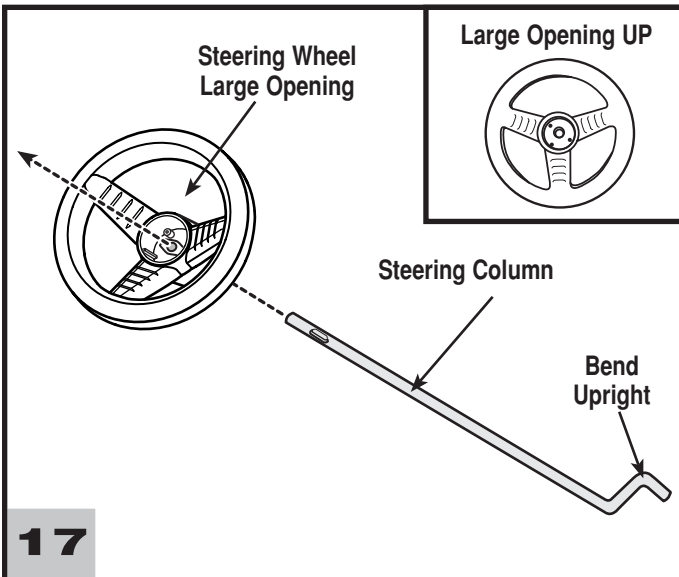
- Place the dashboard on the top side of the vehicle, as shown.
- Insert five #10 x 1" screws into the dashboard. Tighten the screws.


**18**

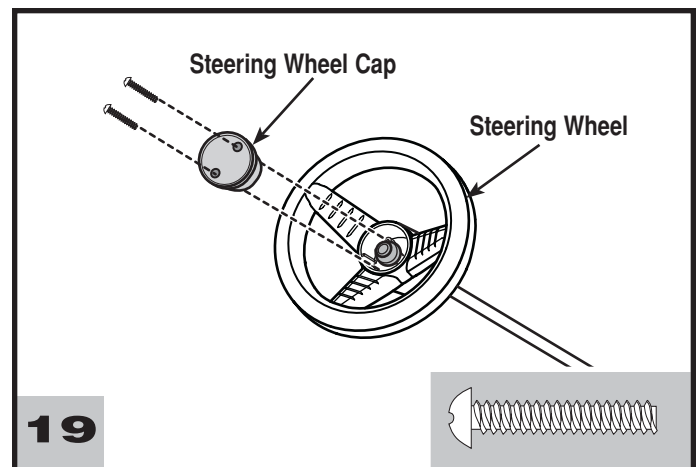
- Fit a .437 cap nut on the end of the steering column.
- Tap the cap nut with a hammer to attach the cap nut on the steering column. Pull on the cap nut to be sure it is secure.

**Hints:**

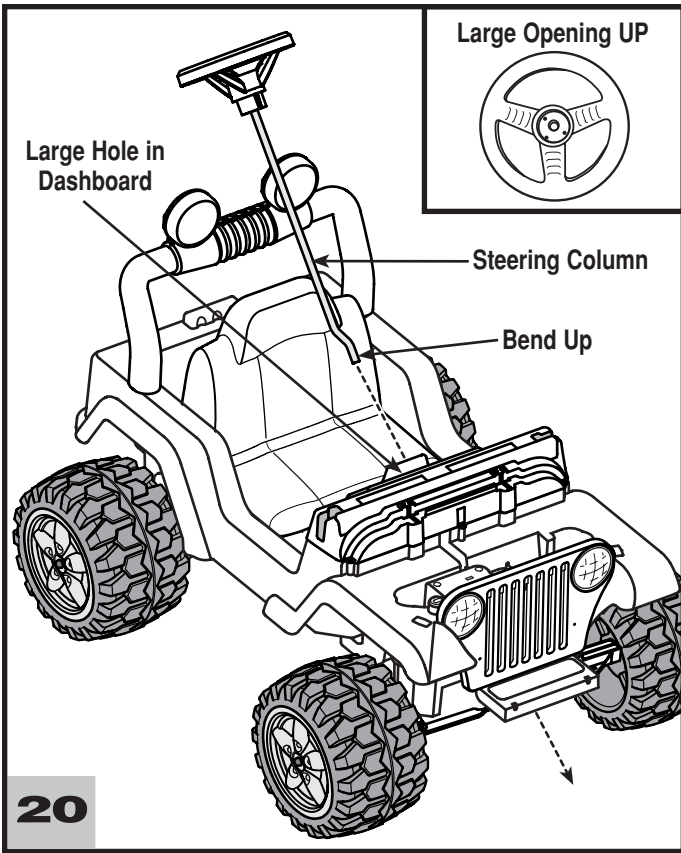
- You may need the help of another adult to keep these two parts in the correct position.
- You may want to position the steering column on a scrap block of wood to protect the assembly surface.


**17**

- Position the steering wheel with the large opening **UP**.
- Position the steering column so that the bend is **UP**, as shown.
- Fit the steering column through the center hole in the steering wheel.

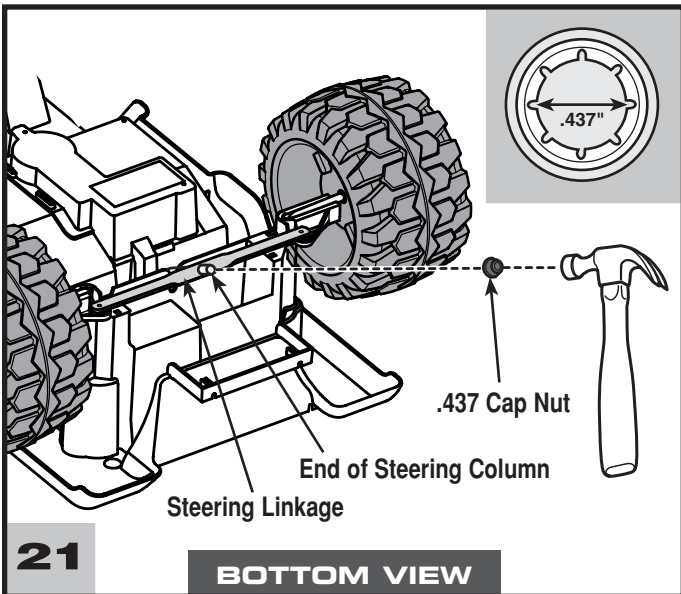

**19**

- Fit the steering cap into the center of the steering wheel. Be sure to align the notch in the steering wheel cap with the tab in the center of the steering wheel.
- Insert two #8 x 1" screws into the steering wheel cap. Tighten the screws.



20

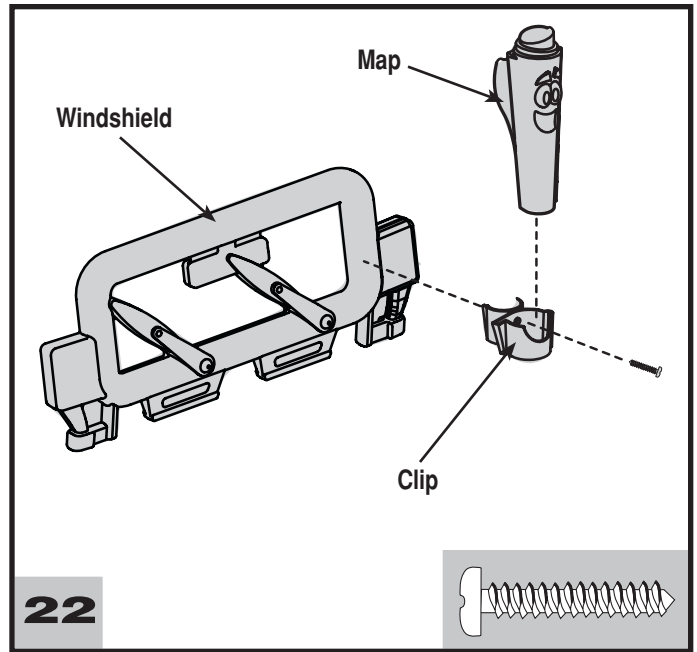
- Insert the steering column (with steering wheel) into the large hole in the dashboard. Make sure the large opening in the steering wheel and the bend in the steering column are **UP**.



21

**BOTTOM VIEW**

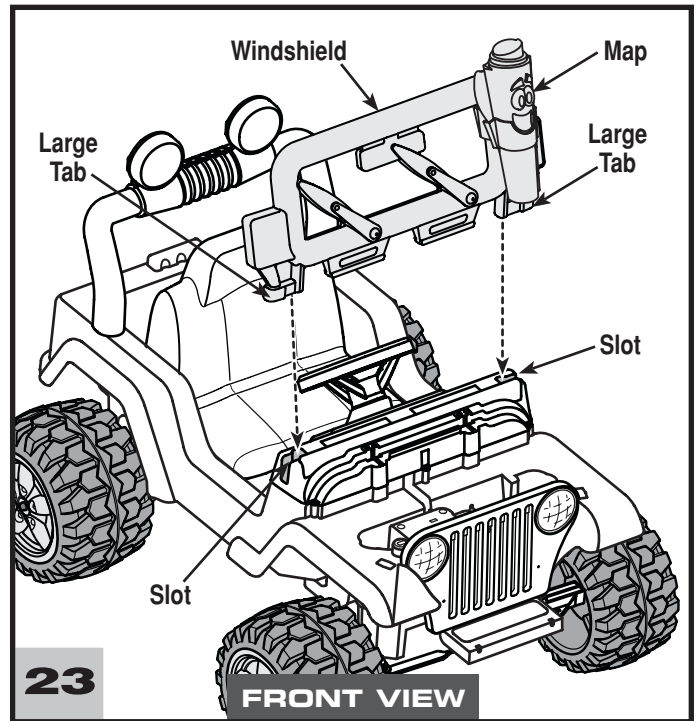
- Carefully, turn the vehicle over, keeping the steering wheel and steering column in place.
- Fit the end of the steering column through the hole in the steering linkage.
- Fit a .437 cap nut on the end of the steering column.
- Tap the cap nut with a hammer to attach the cap nut on the steering column. Pull on the cap nut to be sure it is secure.



22

- Using safety scissors, cut the plastic tie holding Map in the clip.
- Fit the clip to the windshield.
- Insert a #10 x 1" screw into the clip and tighten.
- Replace Map into the clip.

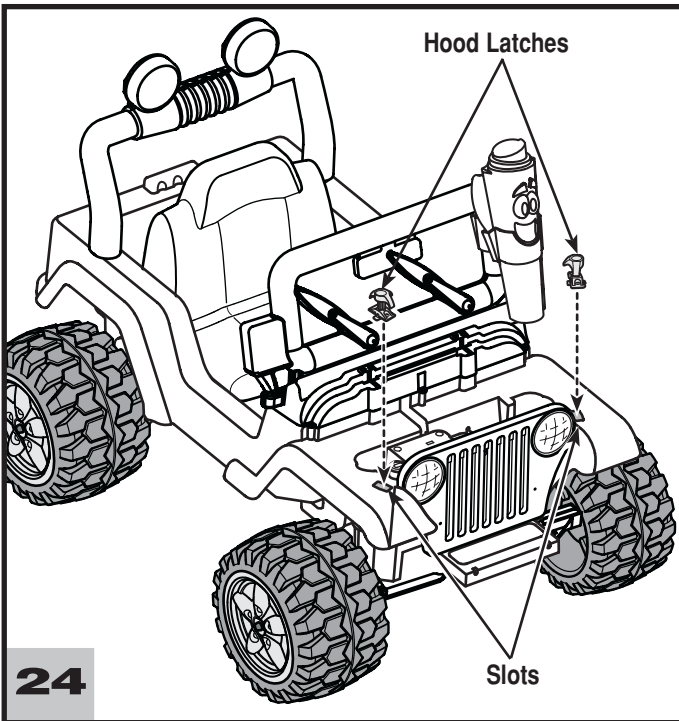
**Note to Retailer:** Do not remove the plastic tie. Simply remove Map from the clip. Assemble the clip to the windshield and replace Map in the clip.



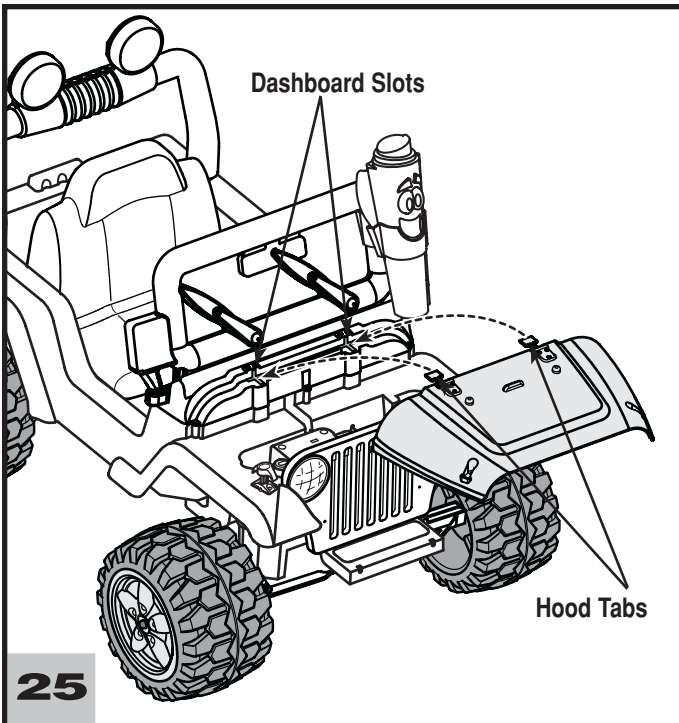
23

**FRONT VIEW**

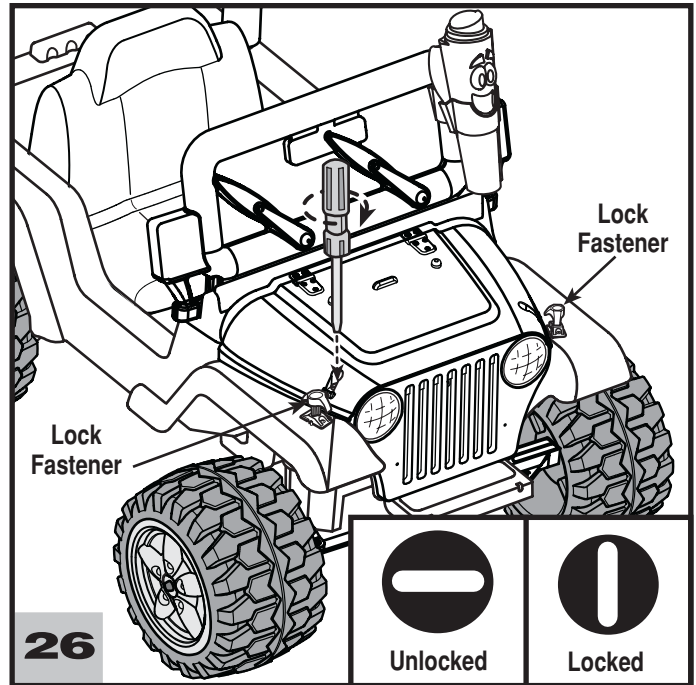
- Turn the vehicle upright.
- Position the windshield so that Map faces the front end of the vehicle.
- Insert and **"snap"** the two large tabs on the windshield into the large slots in the dashboard.
- Pull up on the windshield to be sure it is secure.




- Insert a hood latch into each slot in the front end of the vehicle.
- Turn each hood latch a 1/4 turn to fit in place. Pull up on the hood latches to be sure they are secure.

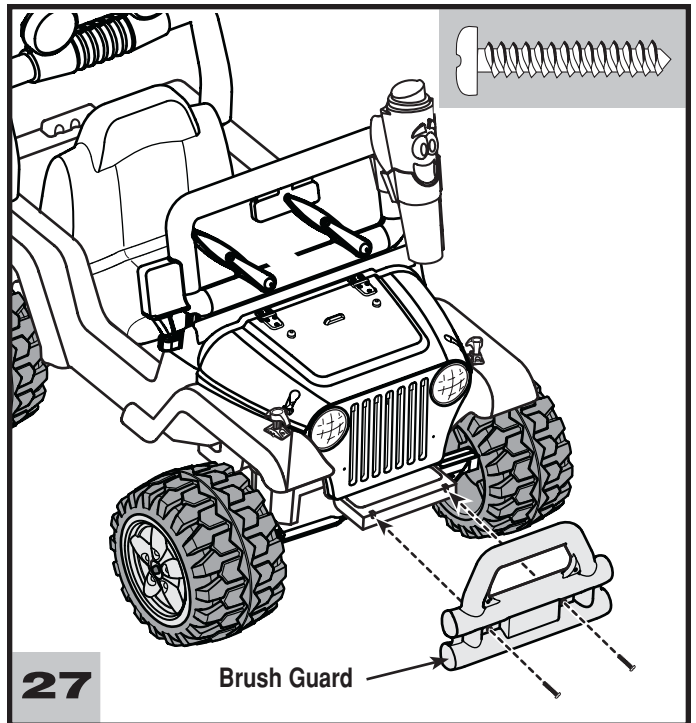


- Insert the tabs on the rear edge of the hood into the slots in the front of the dashboard.
- Pull the hood forward. Lower the hood closed.

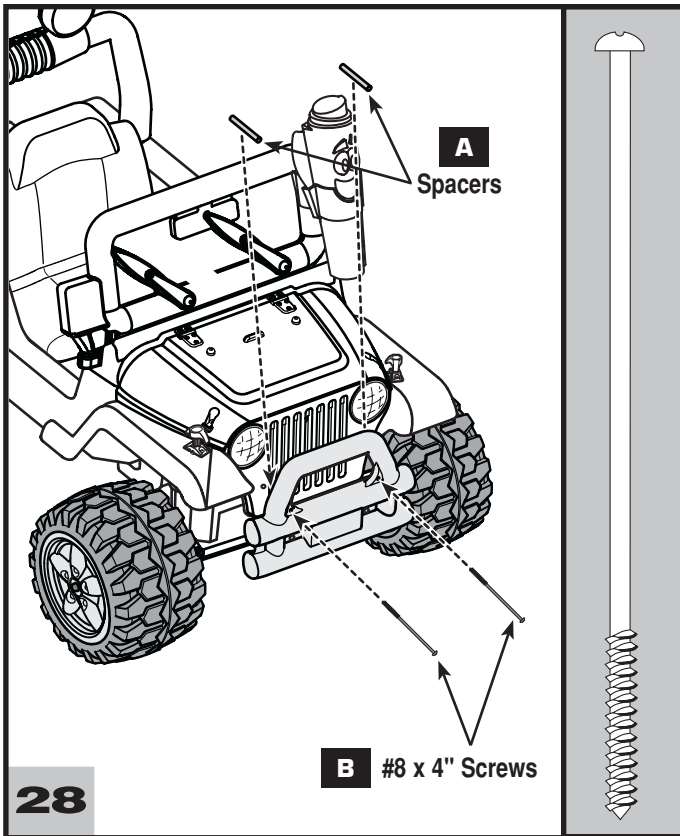


- Using a slotted screwdriver, turn each lock fastener in the hood 1/4 turn to the locked  position.

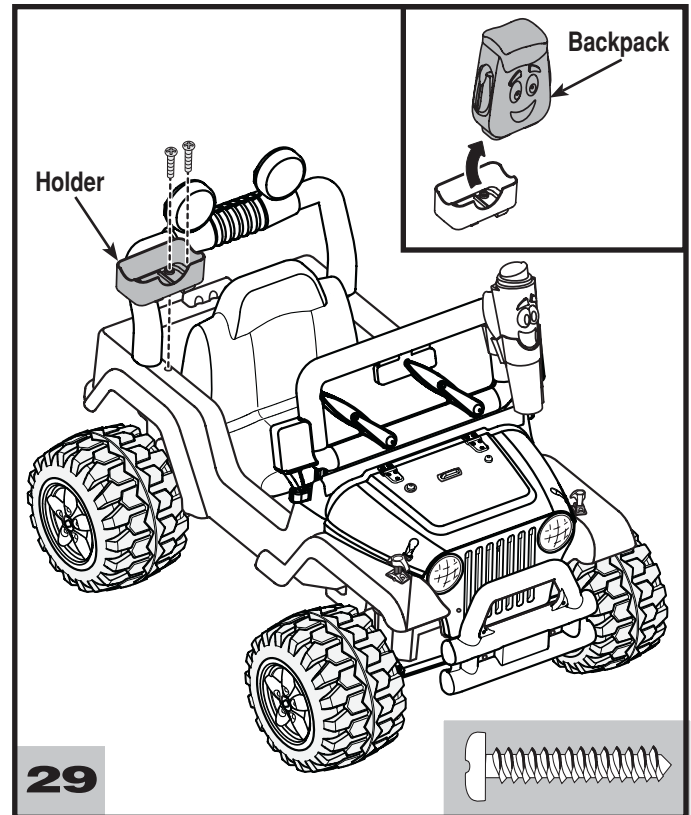
**IMPORTANT!** Remember to keep the lock fasteners locked at all times to prevent children from accessing the vehicle battery compartment.



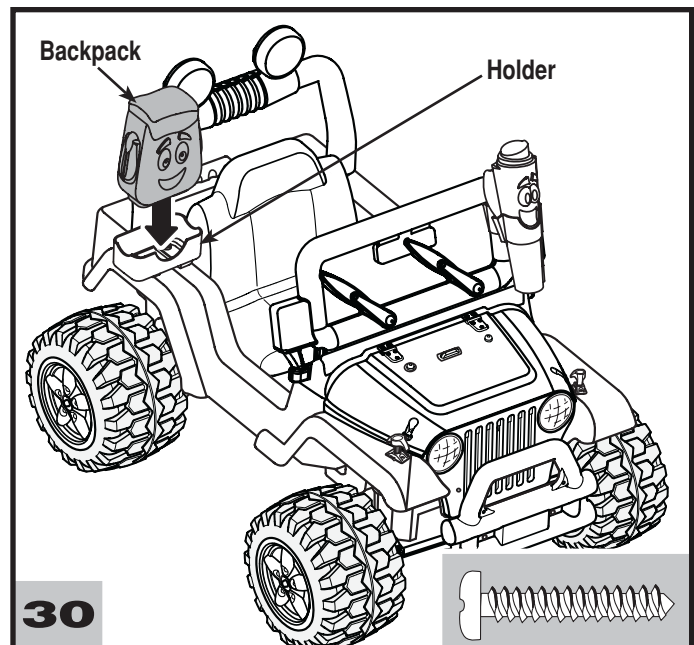
- Fit the brush guard to the front end of the vehicle.  
*Hint: Using the end of a Phillips screwdriver, poke a hole in the thin plastic covering over the lower holes in the brush guard.*
- Insert two #10 x 1" screws through the **lower** holes in the brush guard and into the front end of the vehicle. Tighten the screws.



- Fit the spacers **between** the upper holes of the brush guard and the front end of the vehicle **A**.
- Insert two #8 x 4" screws through the two **upper** holes in the brush guard, through the spacers and into the front end of the vehicle **B**. Tighten the screws.



- Using safety scissors, cut the plastic tie holding Backpack in the holder. Remove Backpack from the holder.
- Note to Retailer:** Do not remove the plastic tie. Simply lift Backpack from the holder and assemble the holder to the top edge of the vehicle. Replace Backpack in the holder.
- Fit the holder to the top edge of the vehicle as shown.
- Insert two #10 x 1" screws into the holder. Tighten the screws.

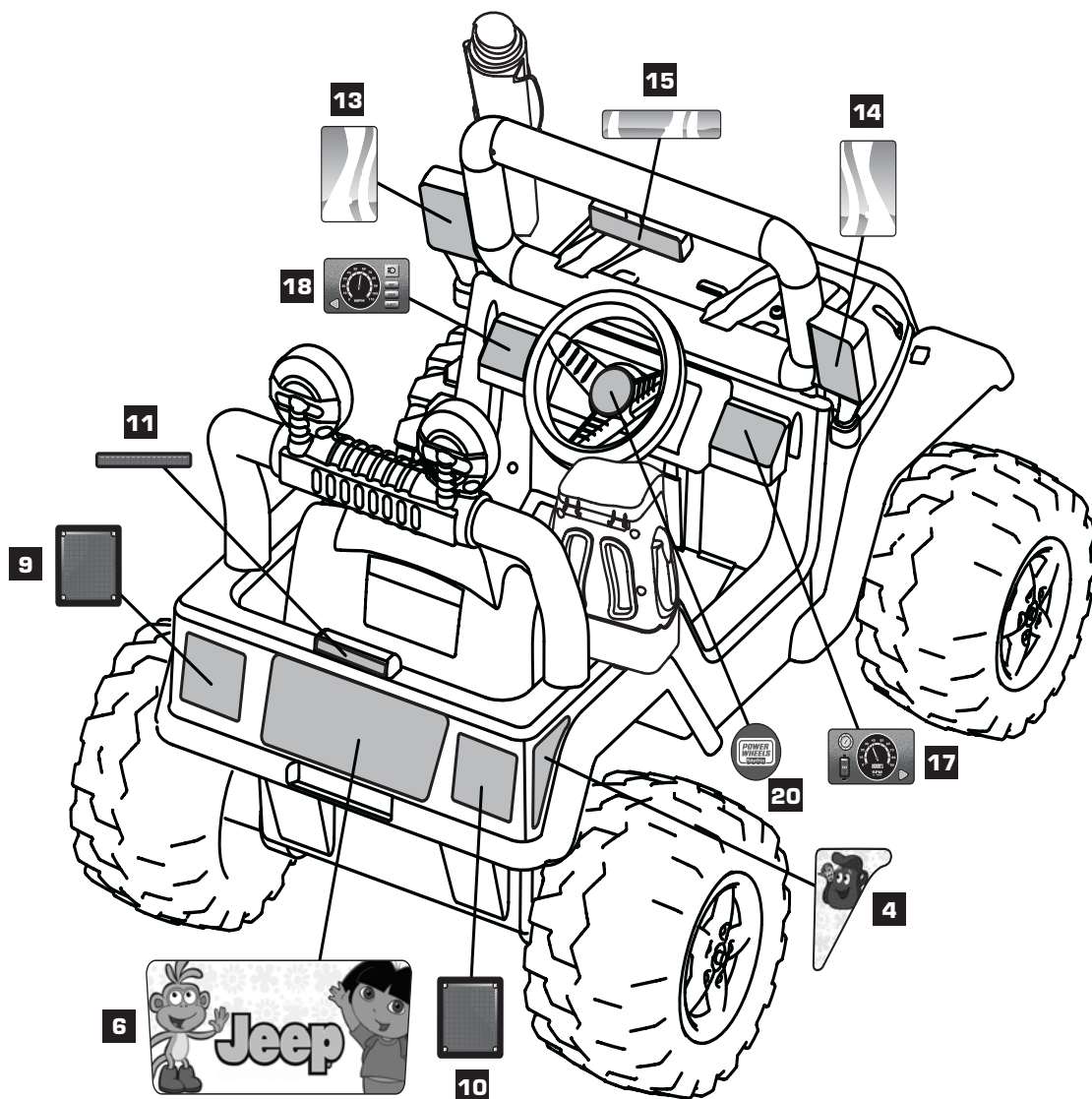


- Fit Backpack into the holder.

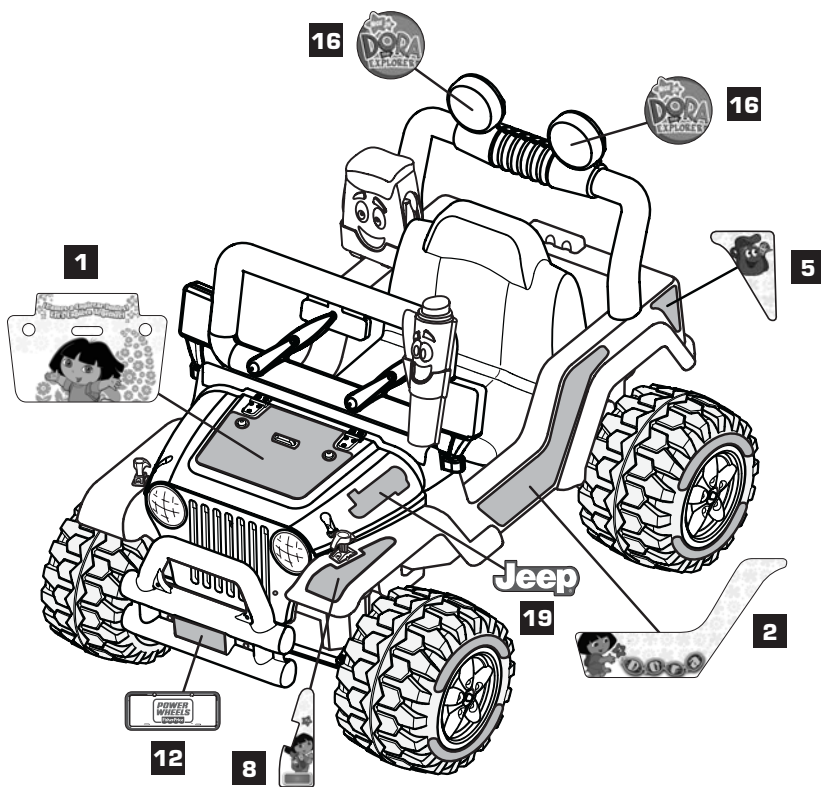


Proper label application will help to keep the labels looking their best! When applying labels, keep the following guidelines in mind:

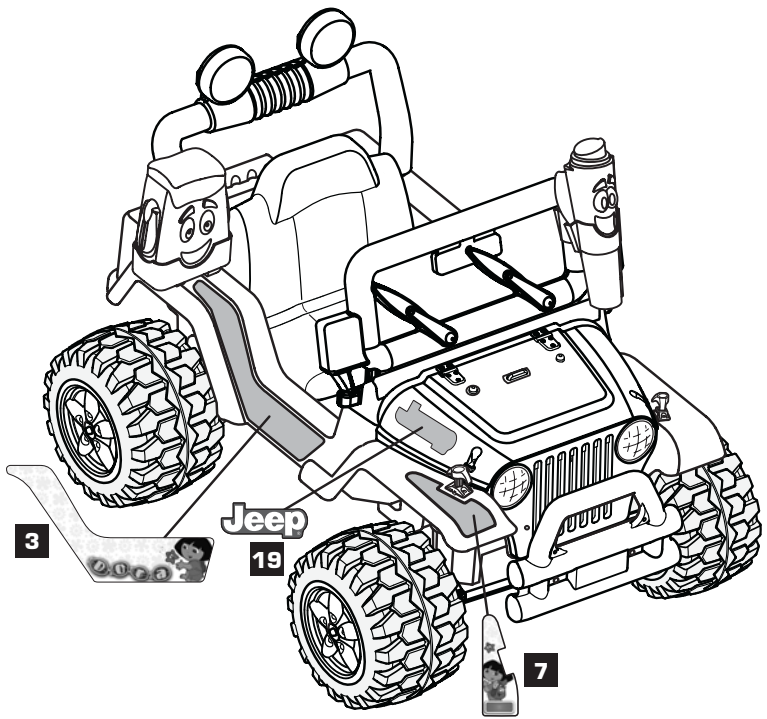
- Wash your hands before applying the labels.
- Before applying the labels, wipe the surface of the vehicle with a clean, dry cloth to remove any dust or oils.
- Place the labels exactly as shown in the illustrations.
- For best results, avoid repositioning a label once it has been applied to the vehicle.
- After applying a label, rub the label firmly with a clean, dry cloth to make sure the label is adhered to your vehicle. Start at the center of a label, and smooth towards the outer edges to remove air bubbles.



**REAR VIEW**

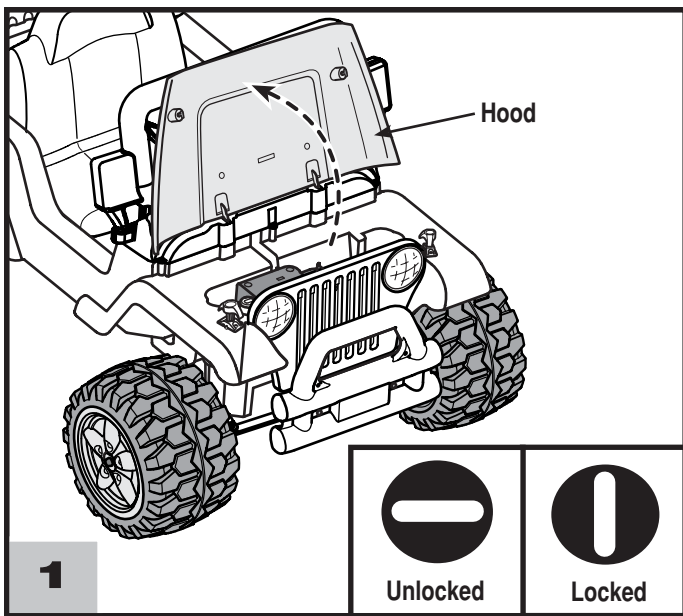



FRONT LEFT SIDE

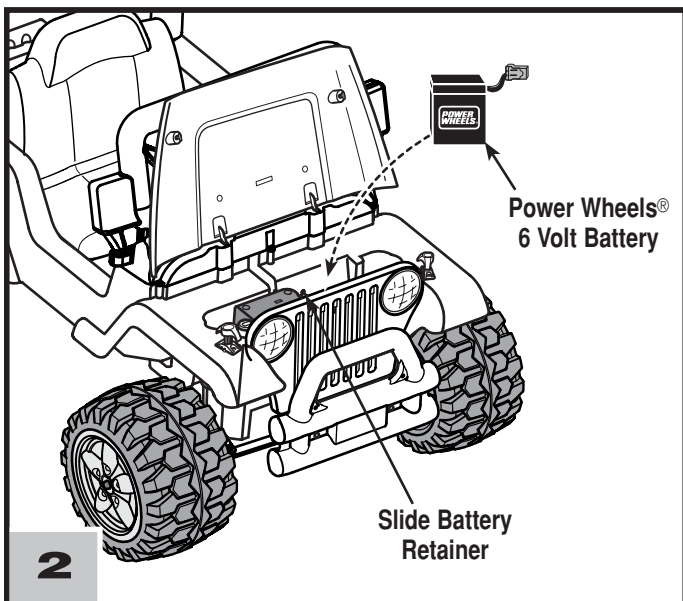


FRONT RIGHT SIDE

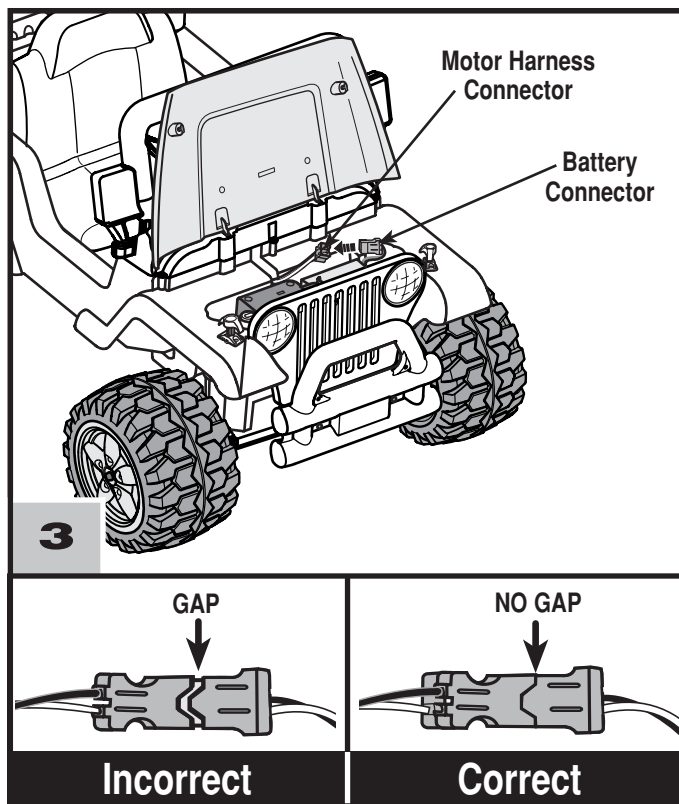
**IMPORTANT!** Use only a Power Wheels® 6 volt battery with A-style connector and built-in thermal fuse. Use of any other battery will damage your vehicle. Make sure that you charge the battery for at least 18 hours using the enclosed Power Wheels® Super 6™ volt charger before operating your vehicle for the first time. Charge the battery for at least 14 hours after each use of the vehicle. Never charge the battery longer than 30 hours. Failure to follow these instructions may damage your battery and will void your warranty.



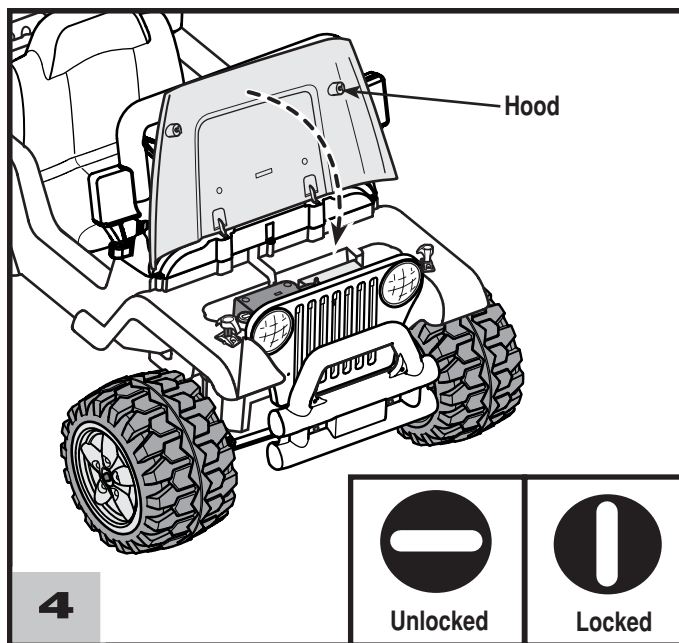
- Using a slotted screwdriver, turn each lock fastener 1/4 turn to the unlocked  position.
- Lift the hood to access the battery compartment.




- Slide the battery retainer open.
- Place the battery in the battery compartment and release the battery retainer.



- Plug the battery connector into the motor harness connector.
- Note:** If the battery connector will not plug into the motor harness connector, turn it over and try again! Do not force the battery connector into the motor harness connector.



- Lower the hood on the vehicle. Using a slotted screwdriver, turn each lock fastener 1/4 turn to the locked  position.
- IMPORTANT!** Remember to keep the lock fasteners locked at all times to prevent children from accessing the battery compartment.

## Care

**If a battery leak develops**, avoid contact with the leaking acid and place the damaged battery in a plastic bag. See information below for proper disposal.

**If acid comes in contact with skin or eyes**, flush with cool water for at least 15 minutes and call a physician.

**If acid is internally ingested**, give water, milk of magnesia or egg whites immediately. Never give emetics or induce vomiting. Call a physician.

- Charge a new battery for at least 18 hours before first use. Never charge the battery longer than 30 hours. Overcharging or undercharging the battery may shorten battery life and decrease vehicle running time.
- After the first charge, recharge the battery for at least 14 hours after each use. Never charge the battery longer than 30 hours. Charge the battery after each use, regardless of how long the vehicle was used.
- The battery must be upright while charging.
- Do not allow the battery to run down completely before charging.
- Charge the battery before storing the vehicle.
- Charge the battery at least once per month, even if the vehicle has not been used.
- Leaving the battery in a discharged condition will ruin it.
- Always remove an exhausted battery from the vehicle. Battery leakage and corrosion can damage the vehicle.
- Do not store the battery on a surface (such as a kitchen counter top) which could be damaged by the acid contained inside the battery. Take precautions to protect the surface on which you store the battery.
- Do not store the battery in temperatures above 75° F or below -10° F.
- Use only a Power Wheels® 6 volt battery. Remember to charge the new battery for at least 18 hours before first use.
- Prevent the battery from moving freely inside the battery compartment. **Always use the battery retainer to secure the battery in the battery compartment.**
- Examine the battery, charger and their connectors for excessive wear or damage each time you charge the battery. If damage is detected, do not use the charger or the battery until you have replaced the worn or damaged part.

## Disposal



- Your Power Wheels® battery is a non-spillable sealed lead-acid battery. They must be recycled or disposed of in an environmentally sound manner.
- Do not dispose of a lead-acid battery in a fire. The battery may explode or leak.
- Do not dispose of a lead-acid battery in your regular, household trash. The incineration, landfilling or mixing of sealed lead-acid batteries with household trash is prohibited by law in most areas.
- Return an exhausted battery to a federal or state approved lead-acid battery recycler, such as a Power Wheels® authorized service center or a local seller of automotive batteries. For the authorized service center location nearest to you, please visit us on-line at [www.powerwheels.com](http://www.powerwheels.com) or call **1-800-348-0751**. Contact your local waste management officials for other information regarding the environmentally sound collection, recycling and disposal of lead-acid batteries. If you live in the State of Florida or the State of Minnesota, it is prohibited by law for anyone to throw away lead-acid batteries in the municipal waste stream.

## RIDING HAZARD

 **WARNING**

- **Prevent Injuries and Deaths**

- Direct Adult Supervision Required
- Never Ride at Night.
- Keep Children Within Safe Riding Areas. These areas must be:
  - away from swimming pools and other bodies of water to prevent drownings
  - generally level to prevent tipovers
  - away from steps, cars, steep inclines, roads and alleys.

**Teach Safety Rules to Children**

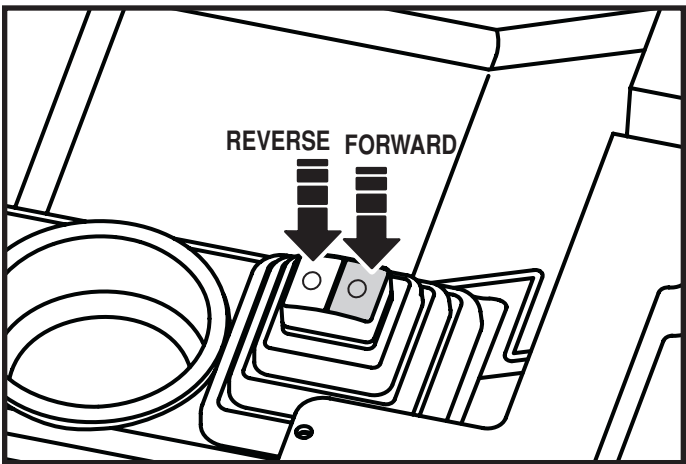
While children can quickly develop the skill necessary to drive this vehicle, it is important to remember that their judgment skills are still very immature. Unsupervised driving by children can lead to serious injury. Before children use this vehicle, an adult should carefully evaluate the driving area as well as the children's skill level and ability to drive this vehicle safely. Children are not always able to recognize or anticipate hazards, even when they have been taught about them. There is no acceptable substitute for direct adult supervision.

Teach appropriate safety rules to your child before allowing operation of this vehicle. These rules should also be reviewed with neighborhood children or other playmates who want to drive this vehicle.

**Riding Rules****Make sure children know and follow these rules for safe driving:**

1. Always sit on the seat.
2. Always wear shoes.
3. Only 1 (one) rider at a time. A child who is not sitting on the seat or who is standing on the vehicle could fall off, cause a tip-over or block the driver's view. A child could be seriously injured.
4. Do not allow any child to drive the vehicle in the street or near moving (motorized) vehicles.
5. Do not allow any child to drive near bodies of water (such as pools or creeks), obstructions (such as furniture, low tree limbs or play equipment), or drop-offs (such as stairs or decks).
6. Do not allow any child to drive the vehicle in the dark. A child could encounter unexpected obstacles and have an accident. Operate the vehicle only in the daytime or a well-lit area.
7. Do not allow your child to drive on sloped or inclined surfaces. Restrict your child's driving to generally level ground ONLY!
8. Do not allow your child to drive down or across a steep slope.
  - The vehicle may gain unsafe speed, even if the pedal is released to stop.
  - The vehicle may tilt and tip over.
  - The wheels could lose traction, causing the vehicle to slip.
9. Do not allow your child to drive up steep inclines. The motor may stop and the vehicle could roll backwards at an unsafe speed.
10. Never put anything near any moving parts. Rotating parts such as motors, gear boxes and wheels can snag fingers, hair, etc., causing serious injury. Do not allow operation of the vehicle when it is on its side or in an upside-down position.
11. Do not operate the vehicle near flammable vapors (gasoline, paint thinner, acetone, liquid wax, etc.). The vehicle's electrical switches, like most electrical switches, emit an internal spark when first turned on or turned off. The presence of flammable liquids or vapors could cause an explosion or a fire. Keep all flammable products in tightly sealed containers and away from the vehicle.
12. Do not allow a child to operate the vehicle without direct adult supervision. To prevent unsupervised use of the vehicle, disconnect the motor harness from the battery when the vehicle is not in use.

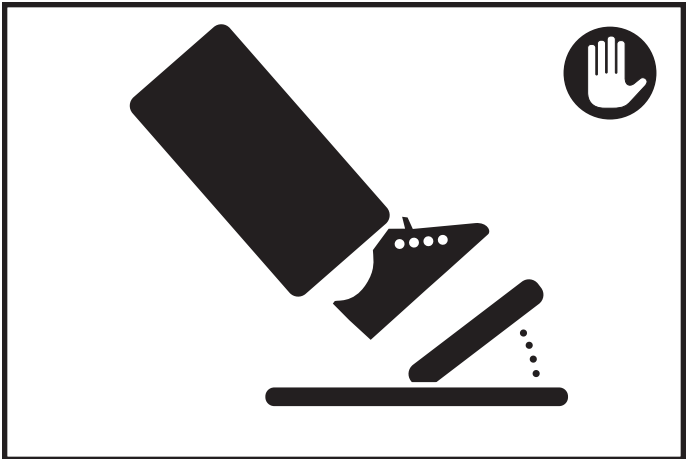
**IMPORTANT!** Use this vehicle **ONLY** outdoors. Most interior flooring can be damaged by riding this vehicle indoors. Fisher-Price® will not be responsible for damage to the floor if the vehicle is used indoors.



- Press the **FORWARD** or **REVERSE** button on the floor of the vehicle.
- Now, press the foot pedal. The vehicle drives forward or in reverse at a maximum speed of 3 1/2 mph.

**IMPORTANT!** To prevent damaging the motors and gears, teach your child to **stop the vehicle before switching direction**. Never shift from forward to reverse, or from reverse to forward, without stopping.

- Help your child practice steering to learn how far and how quickly to turn the wheel.



- Your vehicle has a patented, electronic braking system that automatically stops the vehicle when your child's foot lifts from the pedal.
- Make sure your child is comfortable with steering the vehicle and automatically knows how to stop.

- Check all screws, cap nuts and their protective coverings regularly and tighten as required. Check plastic parts on a regular basis for cracks or broken pieces.
- During snowy or rainy weather, the vehicle should be stored inside or under a protective cover. Remember to charge the battery at least once per month while your vehicle is not in regular use.
- Avoid operating the vehicle in wet or snowy conditions, and do not spray the vehicle with a hose. Do not wash the vehicle with soap and water. Water or moisture in the motors or electrical switches can cause them to corrode, and could cause switch or motor failure.
- Avoid operating the vehicle on sand, loose dirt or gravel. Sand, loose dirt or gravel in the motors or electrical switches can cause them to jam, and could cause switch or motor failure.
- The vehicle can be wiped down with a soft, dry cloth. For a shiny finish, you can wipe plastic parts with a non-wax furniture polish applied to a soft-cloth. Do not use automotive wax. Do not use soap and water or spray the vehicle with a hose.
- To ensure that your vehicle stays in good operating order, we recommend that you periodically have your vehicle checked by a Power Wheels® authorized service center. For the location of the authorized service center nearest you, please visit us on-line at [www.powerwheels.com](http://www.powerwheels.com) or call 1-800-348-0751.

**\*One year limited warranty from the date of purchase on the Power Wheels® vehicle.  
Six month limited warranty on the 6 volt battery.**

For the original purchaser, this one year limited warranty covers the Power Wheels® ride-on vehicle (purchased from Power Wheels®) against defects in materials and workmanship. The six month limited warranty applies only to the 6 volt battery included by Power Wheels® with the original purchase of the vehicle.

This warranty covers normal use and does not cover the Power Wheels® vehicle or battery if damaged by unreasonable use, neglect, accident, abuse, misuse, improper service or other causes not arising out of defects in materials or workmanship. Evidence of any attempt at consumer repair will void this warranty. THIS WARRANTY DOES NOT COVER, AND IS INTENDED TO EXCLUDE, ANY LIABILITY ON THE PART OF POWER WHEELS®, WHETHER UNDER THIS WARRANTY OR IMPLIED BY LAW FOR ANY INDIRECT OR CONSEQUENTIAL DAMAGES FOR BREACH OF WARRANTY. SOME STATES DO NOT ALLOW THE EXCLUSION OR LIMITATION SO THIS LIMITATION MAY NOT APPLY TO YOU.

Should you need service or assistance with your vehicle during the warranty period, do not return the vehicle to the store. Power Wheels® has provided a nationwide network of authorized service centers. If there is not an authorized service center in your area, please visit us on-line at [www.powerwheels.com](http://www.powerwheels.com) or call Consumer Relations for information, **1-800-348-0751**.

This warranty gives you specific legal rights, and you may also have other rights which may vary from state to state.

**PLEASE SAVE YOUR ORIGINAL SALES RECEIPT.**

**IMPORTANT!** If you experience a problem with your vehicle, first check the Problems and Solutions Guide below. If you still experience a problem, please contact Power Wheels® Consumer Relations, toll-free at **1-800-348-0751** between 8 AM and 6 PM (EST) Monday through Friday. Or, contact your local Power Wheels® authorized service center. For the location nearest you, please visit us on-line at [www.powerwheels.com](http://www.powerwheels.com), or call **1-800-348-0751**.

PROBLEM	POSSIBLE CAUSE	SOLUTION
Vehicle does not run	Undercharged battery	Charge the battery. A new battery should have been charged for at least 18 hours before using the vehicle for the first time. After first-time use, recharge the battery for at least 14 hours after each use. Never charge the battery longer than 30 hours.
		Check all connectors. Make sure the battery connector is tightly plugged into the charger connector, and that the charger is plugged into the wall.
		Make sure power flow to the wall outlet is "ON".
	Charger is not working	There is no sure way to tell if your charger is working unless you have a volt meter. If you suspect there is a problem with your charger, contact your local Power Wheels® authorized service center. They can test your charger for you.
	Tripped thermal fuse	The built-in thermal fuse may "trip" and shut down operation of the vehicle if the vehicle is overloaded or the driving conditions too severe. The fuse will automatically reset itself after approximately 25 seconds, allowing the vehicle to resume normal operation. To avoid repeated automatic shutdowns, do not overload the vehicle by exceeding the 65 lb maximum weight capacity or by towing anything behind the vehicle. Do not drive up hills or run into fixed objects, which can cause the wheels to stop spinning while power is still being supplied to the motors. If a thermal fuse continually trips, contact your local Power Wheels® authorized service center.
	Loose wires or loose connectors	Check all wires and connectors. Make sure the battery connector is tightly plugged into the motor harness connector and that there are no loose wires around the motors.
	Dead battery	If your battery is old or if you have not followed Battery Care instructions, your battery may be dead. If you are unsure whether or not the battery are dead, you can have it tested at your local Power Wheels® authorized service center.
	Electrical switch damage	The electrical switches can become corroded due to exposure to water or moisture, or can jam due to loose dirt, sand or gravel. Contact your local Power Wheels® authorized service center for diagnosis and repair.
Motor damage	Contact your local Power Wheels® authorized service center for diagnosis and repair.	



PROBLEM	POSSIBLE CAUSE	SOLUTION
Vehicle was running but suddenly stopped	Loose wires or loose connectors	Check all wires and connectors. Make sure the battery connector is tightly plugged into the motor harness connector, and that there are no loose wires around the motors.
	Tripped thermal fuse	The built-in thermal fuse may "trip" and shut down operation of the vehicle if the vehicle is overloaded or the driving conditions too severe. The fuse will automatically reset itself after approximately 25 seconds, allowing the vehicle to resume normal operation. To avoid repeated automatic shutdowns, do not overload the vehicle by exceeding the 65 lb maximum weight capacity or by towing anything behind the vehicle. Do not drive up hills or run into fixed objects, which can cause the wheels to stop spinning while power is still being supplied to the motors. If a thermal fuse continually trips, contact your local Power Wheels® authorized service center.
Short run time (Less than 1 - 3 hours per charge)	Undercharged battery	Charge the battery. A new battery should have been charged for at least 18 hours before using the vehicle for the first time. After first-time use, recharge the battery for at least 14 hours after each use. Never charge the battery longer than 30 hours.
		Check all wires and connectors. Make sure the battery connector is tightly plugged into the charger connector, and that the charger is plugged into the wall.
		Make sure power flow to the wall outlet is "ON".
	Overcharged battery	Do not charge the battery longer than 30 hours. If you suspect that your battery is damaged as a result of overcharging, contact your local Power Wheels® authorized service center. They can test the battery for you.
	Battery is old and will not accept full charge	Even with proper care, a rechargeable battery does not last forever. Average battery life is 1 to 3 years depending on vehicle use and use conditions. Replace only with a Power Wheels® 6 Volt battery with A-style connector and built-in thermal fuse. <b>Do not substitute parts.</b>
	Tripped thermal fuse	The built-in thermal fuse may "trip" and shut down operation of the vehicle if the vehicle is overloaded or the driving conditions too severe. The fuse will automatically reset itself after approximately 25 seconds, allowing the vehicle to resume normal operation. To avoid repeated automatic shutdowns, do not overload the vehicle by exceeding the 65 lb maximum weight capacity or by towing anything behind the vehicle. Do not drive up hills or run into fixed objects, which can cause the wheels to stop spinning while power is still being supplied to the motors. If a thermal fuse continually trips, contact your local Power Wheels® authorized service center.

PROBLEM	POSSIBLE CAUSE	SOLUTION
Vehicle runs sluggishly	Undercharged battery	Charge the battery. A new battery should have been charged for at least 18 hours before using the vehicle for the first time. After first-time use, recharge the battery for at least 14 hours after each use. Never charge the battery longer than 30 hours.
		Check all connectors. Make sure the battery connector is tightly plugged into the charger connector, and that the charger is plugged into the wall.
		Make sure power flow to the wall outlet is "ON".
	Battery needs charging	Be sure to charge the battery after each use.
	Battery is old and will not accept full charge	Even with proper care, a rechargeable battery does not last forever. Average battery life is 1 to 3 years depending on vehicle use and use conditions. Replace only with a Power Wheels® 6 Volt battery with A-style connector and built-in thermal fuse. <b>Do not substitute parts.</b>
	Vehicle is overloaded	Make sure you do not overload the vehicle by allowing more than one rider at one time, exceeding the 65 lb. maximum weight capacity, or by towing objects behind the vehicle. If the vehicle is overloaded, the built-in thermal fuse in the battery may "trip", and automatically shut down operation of the for approximately 25 seconds. Adjust the driving conditions to prevent repeated automatic shutdowns.
	Driving conditions are too stressful	Use only on generally level ground.
Sometimes the vehicle doesn't run, but other times it does	Loose wire or connector	Check all wires around the motors and all connectors to make sure they are tight.
	Motor or electrical switch damage	Contact your local Power Wheels® authorized service center for diagnosis and repair.
When the foot pedal is pressed, the vehicle won't run without a push	Loose wire or connector	Check all wires around the motors and all connectors to make sure they are tight.
	"Dead Spot" on motor	Contact your local Power Wheels® authorized service center for diagnosis and repair.
Battery's thermal fuse constantly "trips", but the vehicle is not overloaded nor the driving conditions too severe	Damaged battery	Contact your local Power Wheels® authorized service center for diagnosis and repair.
	Child is switching between FORWARD and REVERSE without stopping	Teach your child to stop the vehicle before switching direction.
Loud clacking or grinding noise from a motor-gearbox	Broken gears	Contact your local Power Wheels® authorized service center for diagnosis and repair.
Charger gets warm during use	It is normal for some chargers to get warm during use and is not reason for concern. Some chargers do not get warm during use.	No action required.
		If your charger does not get warm during use, it does not mean that it is not working properly.
Battery makes a sizzling or gurgling noise when charging	It is normal for some batteries to make noise and swell slightly while charging and is not reason for concern.	No action required.
		If your battery does not make noise or swell slightly during charging, it does not mean that it is not accepting the charge.

If, after reviewing the Problems and Solutions Guide, the vehicle still fails to operate, please contact your nearest authorized service center.





**Before first-time use,  
you must charge the battery  
18 hours!**

Charge the battery immediately after each use.  
Charge the battery once a month, even if the vehicle  
is not used or stored.

**Do not return  
your vehicle to the store!**

We're a toll-free phone call away, and we can help.  
If you are missing parts or need assistance, please call:

**1-800-348-0751**

Or contact your local **independently owned and operated**  
Power Wheels® Authorized Service Center.

For the location nearest you, visit us on-line at **[www.powerwheels.com](http://www.powerwheels.com)**.

Fisher-Price, Inc., a subsidiary of Mattel, Inc., East Aurora, New York 14052 U.S.A.  
©2005 Mattel, Inc. All Rights Reserved.  
Fisher-Price and Power Wheels by Fisher-Price are U.S. trademarks of Mattel, Inc.