

H4648

www.fisher-price.com

Fisher-Price®



GeoTrax™
Rail & Road System

Crankin' Round Crane™

Parts

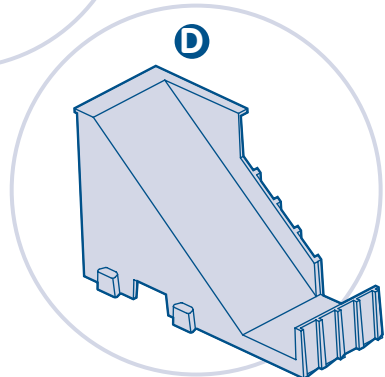
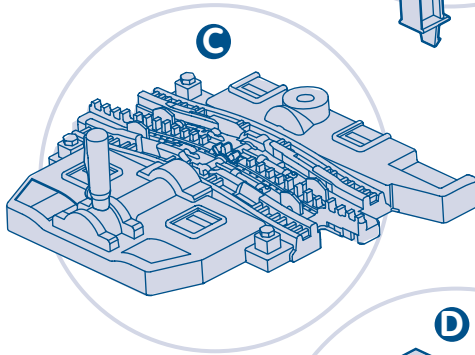
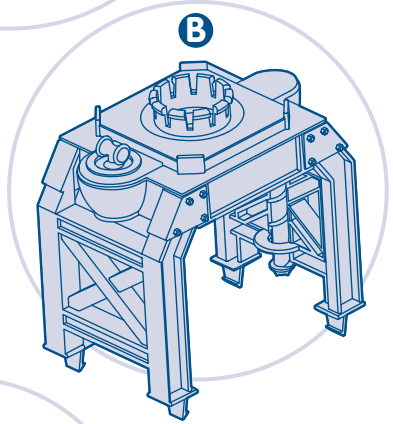
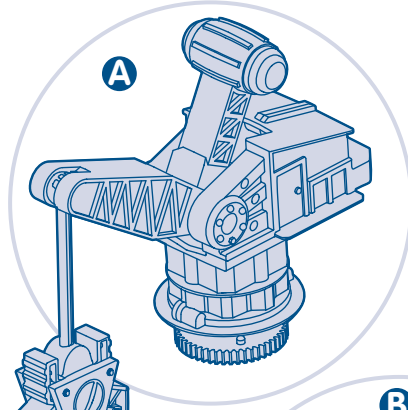
- A. Crane
- B. Arch
- C. Base
- D. Chute

Parts not shown:
Pull Car
2 Cargo Crates

Please keep this instruction sheet for future reference, as it contains important information.

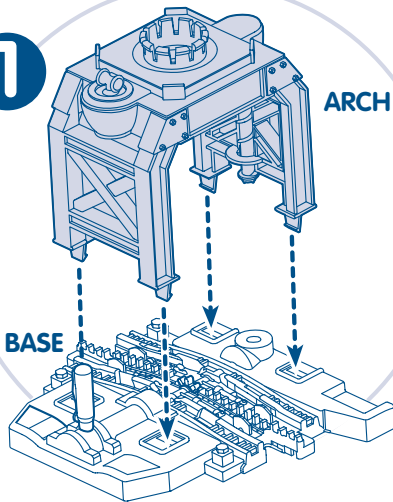
Adult assembly is required.

No tools needed for assembly.



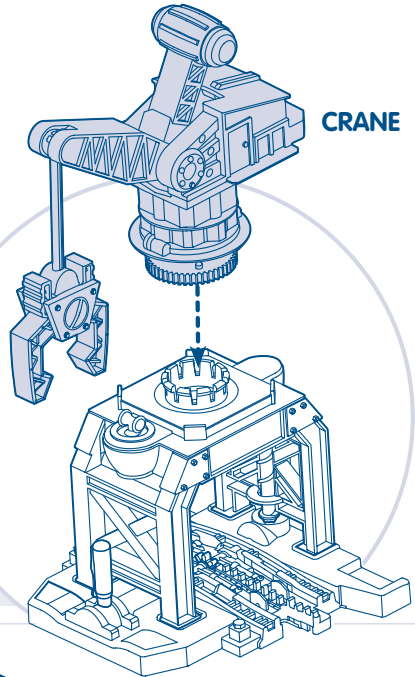
Assembly

1



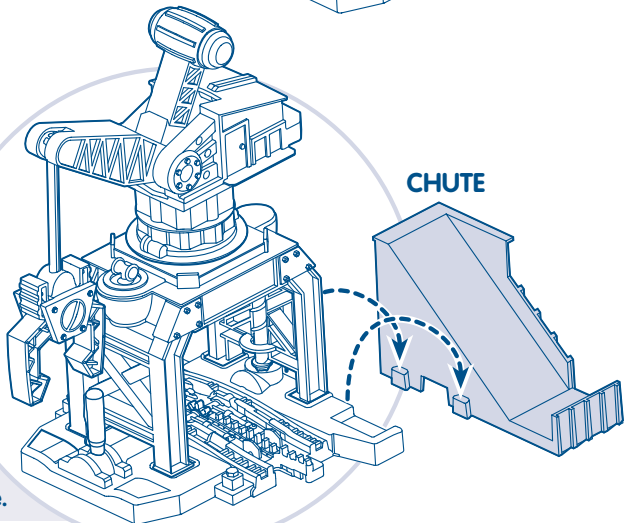
- “Snap” the arch into the base.

2



- Press firmly to “snap” the crane into the arch.

3



- Set the crane assembly grooves onto tabs on the chute, as shown.

Assembly is now complete.

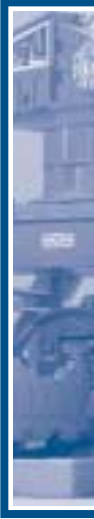
■ Lots of Lifting and Loading



Squeeze the crane to pick up your cargo.



Lift the crane handle and rotate to move the cargo.



Squ
carg

Add your RC Train for the Magic of Geo



Flip the GeoMotion™ switch.



Use your remote controller to drive your RC engine under the arch.



Geo

RC train and extra track pieces shown are sold separately and subject to availability.



queeze again to drop the
go into the chute.

eoMotion™!



eoMotion™ rotates the crane.



The more you collect, the more fun it gets!



Multiple track packs used to create this configuration. Each sold separately and subject to availability.

Fisher-Price®

GeoTrax™
Rail & Road System

Visit www.fisher-price.com
to see the entire world of
GeoTrax™ accessories!

Questions? We'd like to hear from you!

Call Fisher-Price® Consumer Relations, toll-free at **1-800-432-5437**,

8 AM - 6 PM EST Monday through Friday. Hearing-impaired
consumers using TTY/TDD equipment, please call 1-800-382-7470.

Or, visit us on line at www.service.mattel.com.

Write to us at:

Fisher-Price® Consumer Relations
636 Girard Avenue
East Aurora, New York 14052

For countries outside the United States:

CANADA: Questions? **1-800-432-5437**. Mattel Canada Inc., 6155 Freemont Blvd.,
Mississauga, Ontario L5R 3W2; www.service.mattel.com.

GREAT BRITAIN: [Mattel UK Ltd, Vanwall Business Park, Maidenhead SL6 4UB](http://www.mattel.com). Helpline: 01628 500302.

AUSTRALIA: [Mattel Australia Pty. Ltd., 658 Church Street, Locked Bag #870, Richmond, Victoria 3121 Australia](http://www.mattel.com).
Consumer Advisory Service 1300 135 312.

NEW ZEALAND: 16-18 William Pickering Drive, Albany 1331, Auckland.

ASIA: [Mattel East Asia Ltd, Room 1106, South Tower, World Finance Centre, Harbour City, Tsimshatsui, HK, China](http://www.mattel.com).