



ACTION TRACKERS™

**JACK HAMMER™
WITH
FLIP TRACK DOZER™**



Please keep this instruction sheet for future reference,
as it contains important information.

Requires three AA batteries (included).

Adult assembly is required.

Tool needed for battery replacement: Phillips screwdriver (not included).

Fisher-Price®

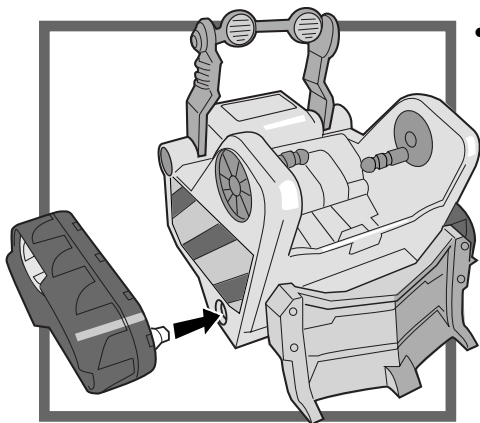
BEFORE FIRST TIME USE

CAUTION

Please keep small parts such as the plastic tabs out of children's reach.
Throw the plastic tab away.

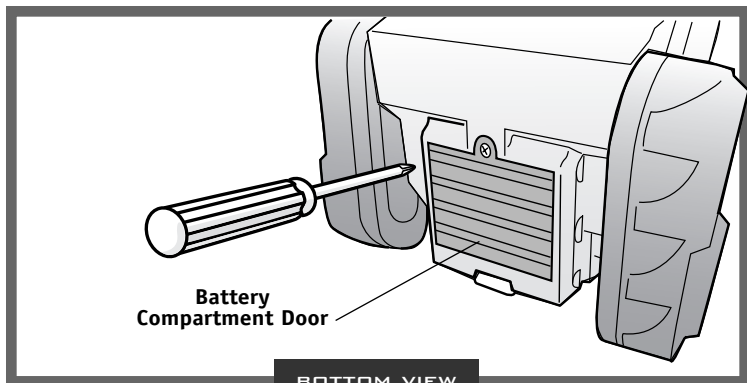
Note: A plastic tab was attached to the toy for in-store demonstration purposes. While the tab may have already been removed, check the toy to be sure. If the plastic tab is still attached, pull and remove the tab from the toy. Throw the plastic tab away.

ASSEMBLY



- "Snap" the tread to the side of the vehicle, as shown.

BATTERY REPLACEMENT



For best performance, we recommend replacing the batteries that came with this toy with three, new “AA” (LR6) **alkaline** batteries.

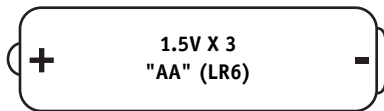
- Locate the battery compartment on the toy.
- Loosen the screw in the battery compartment door with a Phillips screwdriver. Remove the battery compartment door.
- Insert three, new AA (LR6) **alkaline** batteries.

Hint: We recommend using **alkaline** batteries for longer life.

- Replace the battery compartment door and tighten the screw with a Phillips screwdriver. Do not over-tighten.
- When sounds or motions become faint or stop, it's time for an adult to change the batteries!

BATTERY SAFETY INFORMATION

For best results, use only alkaline batteries.



SHOWN ACTUAL SIZE

In exceptional circumstances, batteries may leak fluids that can cause a chemical burn injury or ruin your product. To avoid battery leakage:

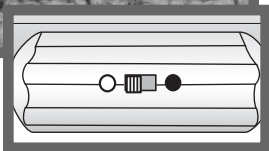
- Do not mix old and new batteries or batteries of different types: alkaline, standard (carbon-zinc) or rechargeable (nickel-cadmium).
- Insert batteries as indicated inside the battery compartment.
- Remove batteries during long periods of non-use. Always remove exhausted batteries from the product. Dispose of batteries safely. Do not dispose of batteries in a fire. The batteries may explode or leak.
- Never short-circuit the battery terminals.
- Use only batteries of the same or equivalent type as recommended.
- Do not charge non-rechargeable batteries.
- Remove rechargeable batteries from the product before charging.
- If removeable, rechargeable batteries are used, they are only to be charged under adult supervision.

Fisher-Price, Inc., a subsidiary of Mattel, Inc. East Aurora, New York 14052, U.S.A.
©2005 Mattel, Inc. All Rights Reserved. ® and ™ designate U.S. trademarks of Mattel, Inc.

WHEN IT'S TIME FOR RESCUE, THEY REALLY MOVE!



- Locate the power switch on the toy. Slide the switch to the on position ●.
- Fit the figure's hands onto the handles.
- Press the button and watch him rotate his arms to power the dozer over rubble and debris to clear a path to the rescue scene.
- When you are finished playing with the toy, slide the power switch to the off position ○.



CONSUMER INFORMATION

CARE

- Wipe the toy with a clean cloth dampened with a mild soap and water solution.
- Do not immerse the toy.

Visit us on-line at www.service.fisher-price.com

Call Fisher-Price® Consumer Relations, toll-free at **1-800-432-5437**, 8 AM - 6 PM EST Monday through Friday. Hearing-impaired consumers using TTY/TDD equipment, please call 1-800-382-7470.

Write to us at:

Fisher-Price® Consumer Relations
636 Girard Avenue
East Aurora, New York 14052

For countries outside the United States:

CANADA: Questions? 1-800-432-5437. Mattel Canada Inc., 6155 Freemont Blvd., Mississauga, Ontario L5R 3W2; www.service.mattel.com.

GREAT BRITAIN: [Mattel UK Ltd, Vanwall Business Park, Maidenhead SL6 4UB. Helpline: 01628 500302; www.service.mattel.com/uk](http://www.service.mattel.com/uk)

AUSTRALIA: Mattel Australia Pty. Ltd., 658 Church Street, Locked Bag #870, Richmond, Victoria 3121 Australia. Consumer Advisory Service 1300 135 312.

NEW ZEALAND: 16-18 William Pickering Drive, Albany 1331, Auckland.

ASIA: Mattel East Asia Ltd, Room 1106, South Tower, World Finance Centre, Harbour City, Tsimshatsui, HK, China.