



ACTION TRACKERS™

FIRE TRUCK



Action Trackers™ figure sold separately and subject to availability.

Please keep this instruction sheet for future reference, as it contains important information.

Requires three "C" (LR14) **alkaline** batteries (not included).

Adult assembly is required.

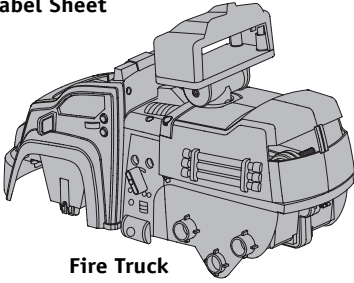
Tool needed for assembly: Phillips screwdriver (not included).



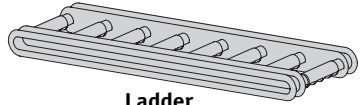
www.rescueheroes.com
for action, excitement and adventure!

PARTS

Part Not Shown:
Label Sheet



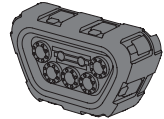
Fire Truck



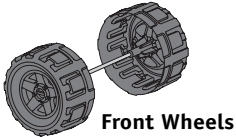
Ladder



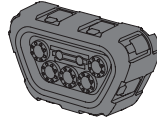
Hook



Track with ★

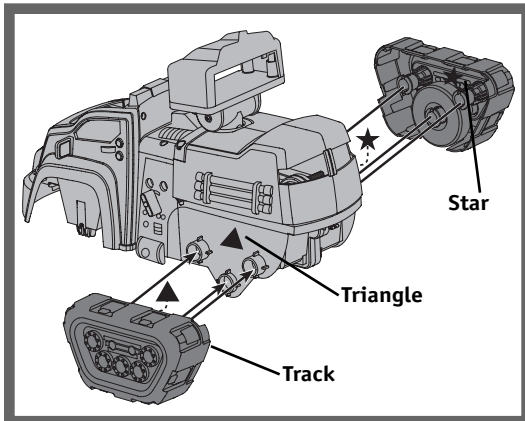


Front Wheels



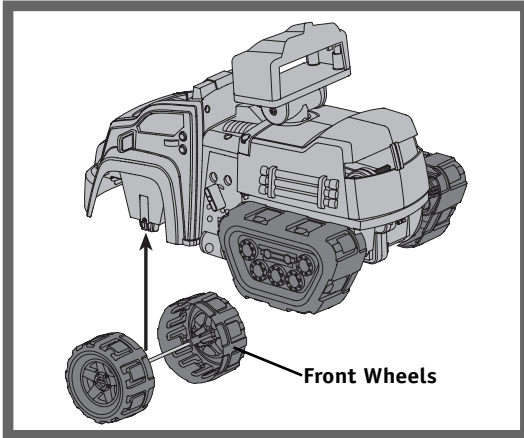
Track with ▲

ASSEMBLY

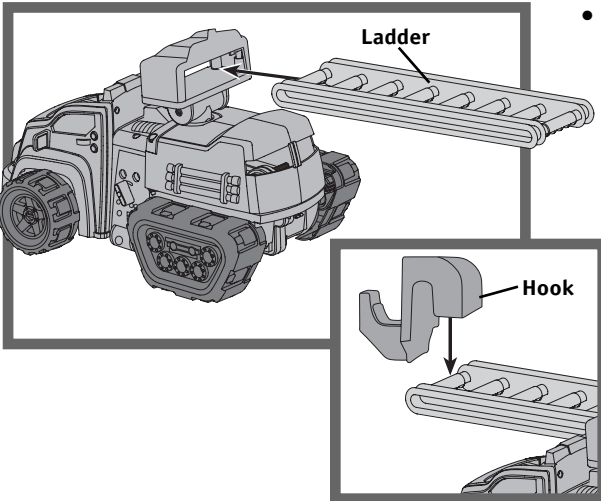


- "**Snap**" the track marked with the ▲ to the matching side of the fire truck.
- Repeat this procedure to attach the other track to the fire truck.

ASSEMBLY

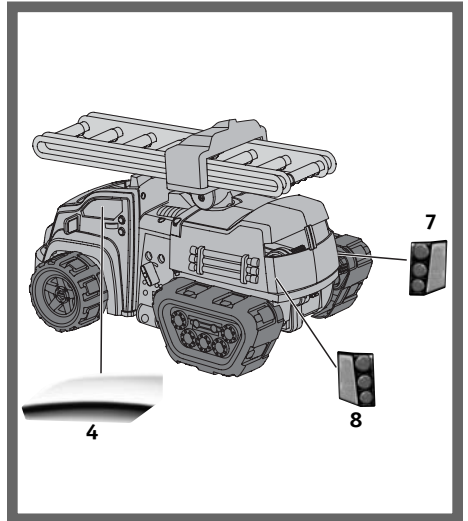
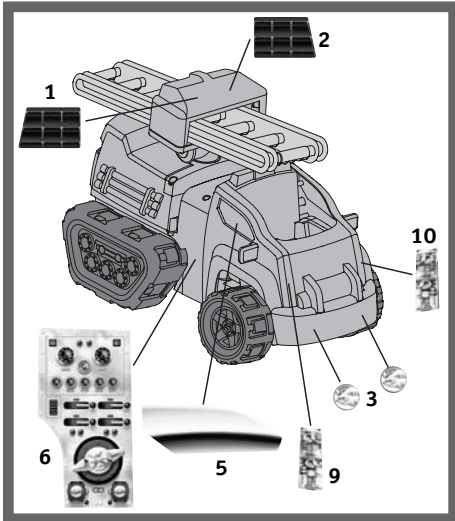


- **"Snap"** the front wheels to the underside of the fire truck, as shown.



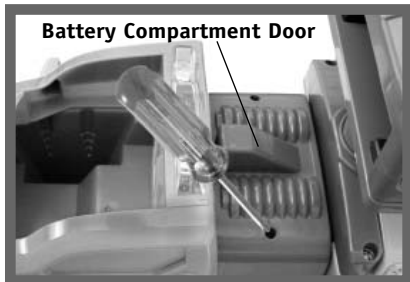
- Slide the ladder into the ladder holder on top of the truck.
- Fit the hook to the end of the ladder.

LABEL DECORATION



- Wash your hands before applying the labels.
- Make sure the areas where the labels will be applied are clean and dry. Wipe this product with a clean, soft, dry cloth to remove any dust or oils.
- For best results, do not attempt to apply a label more than once.
- Apply the labels as shown in the illustrations.

BATTERY INSTALLATION



- Locate the battery compartment door on the top of the toy.
- Loosen the screw in the battery compartment door with a Phillips screwdriver. Remove the battery compartment door.
- Insert three, new "C" (LR14) **alkaline** batteries.

Hint: We recommend using **alkaline** batteries for longer life.

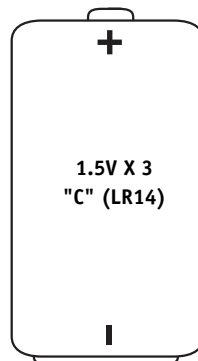
- Replace the battery compartment door and tighten the screw with a Phillips screwdriver. Do not over-tighten.
- When lights or sounds or motions become faint or stop, it's time for an adult to change the batteries!

BATTERY SAFETY INFORMATION

In exceptional circumstances, batteries may leak fluids that can cause a chemical burn injury or ruin your product. To avoid battery leakage:

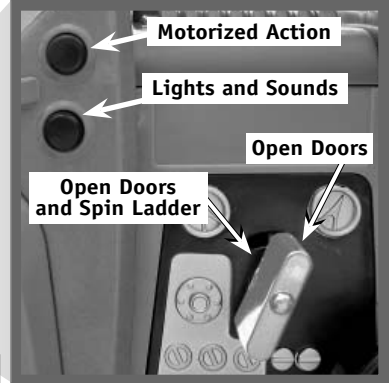
- Do not mix old and new batteries or batteries of different types: alkaline, standard (carbon-zinc) or rechargeable (nickel-cadmium).
- Insert batteries as indicated inside the battery compartment.
- Remove batteries during long periods of non-use. Always remove exhausted batteries from the product. Dispose of batteries safely. Do not dispose of this product in a fire. The batteries inside may explode or leak.
- Never short-circuit the battery terminals.
- Use only batteries of the same or equivalent type as recommended.
- Do not charge non-rechargeable batteries.
- Remove rechargeable batteries from the product before charging.
- If removeable, rechargeable batteries are used, they are only to be charged under adult supervision.

For best results, use only alkaline batteries.

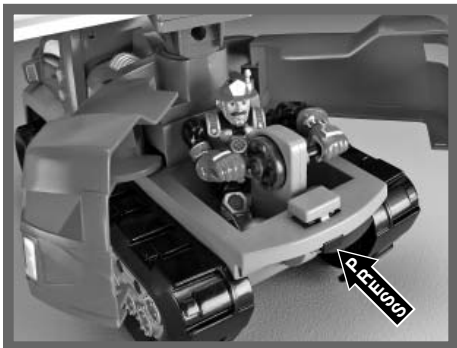


SHOWN ACTUAL SIZE

WHEN IT'S TIME FOR RESCUE, THEY REALLY MOVE!



- Locate the On/Off switch on the bottom of the toy.
- Slide the switch to the ● position to turn the toy on and to the ○ position to turn it off.

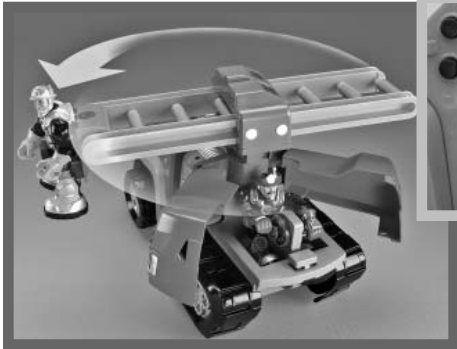


- Press the button on the back of the fire truck to open the doors.
- Place an Action Trackers™ in the back of the truck and fit his hands onto the handles.
- Close the doors.

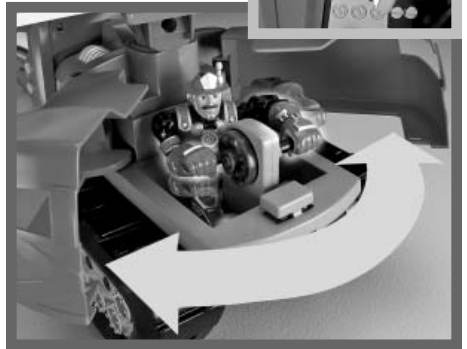
Important notes:

- *If the doors do not latch, press the motorized action button momentarily, then try again.*
- *Crank feature only works with Action Trackers™ figures (sold separately and subject to availability.)*

WHEN IT'S TIME FOR RESCUE, THEY REALLY MOVE!



- Turn the switch to the left.
- Press and hold the top button. The door opens and the ladder spins as your Action Trackers™ figure turns the crank!



- Turn the switch to the right.
- Press and hold the top button. The doors open as your Action Trackers™ figure turns the crank!



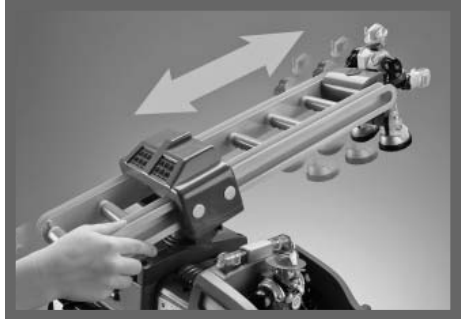
- Press the bottom button for lights and sound effects.



WHEN IT'S TIME FOR RESCUE, THEY REALLY MOVE!



- Set a figure (sold separately) on the hook at the end of the ladder. You can press the button and swing your figure to safety!



- Push or pull the ladder in or out. Press to tilt the ladder up or down.

CONSUMER INFORMATION

CARE

- Wipe the toy with a clean cloth dampened with a mild soap and water solution.
- Do not immerse the toy.

Visit us on-line at www.service.fisher-price.com

Call Fisher-Price® Consumer Relations, toll-free at **1-800-432-5437**, 8 AM - 6 PM EST Monday through Friday. Hearing-impaired consumers using TTY/TDD equipment, please call 1-800-382-7470.

Write to us at:

Fisher-Price® Consumer Relations
636 Girard Avenue, East Aurora, New York 14052

For countries outside the United States:

CANADA: Questions? 1-800-432-5437. Mattel Canada Inc., 6155 Freemont Blvd., Mississauga, Ontario L5R 3W2; www.service.mattel.com.

GREAT BRITAIN: [Mattel UK Ltd, Vanwall Business Park, Maidenhead SL6 4UB. Helpline: 01628 500303; www.service.mattel.com/uk](http://www.service.mattel.com/uk)

AUSTRALIA: Mattel Australia Pty. Ltd., 658 Church Street, Locked Bag #870, Richmond, Victoria 3121 Australia.
Consumer Advisory Service 1300 135 312.

NEW ZEALAND: 16-18 William Pickering Drive, Albany 1331, Auckland.

ASIA: Mattel East Asia Ltd, Room 1106, South Tower, World Finance Centre, Harbour City, Tsimshatsui, HK, China.

Fisher-Price, Inc., a subsidiary of Mattel, Inc. East Aurora, New York 14052, U.S.A.

©2005 Mattel, Inc. All Rights Reserved. ® and ™ designate U.S. trademarks of Mattel, Inc.