

# Jeep<sup>®</sup> Lil WRANGLER<sup>®</sup> 4x4

Please read this manual and save it with your original sales receipt.

Tools needed for assembly: Phillips Screwdriver, Hammer, Slotted Screwdriver, and Safety Scissors (tools not included).

Use only with a Power Wheels<sup>®</sup> Type H 6 Volt Battery and a Power Wheels<sup>®</sup> Type H 6 Volt Charger (both included).



Product features may vary from the picture above.



Jeep and the Jeep grille design are registered trademarks of DaimlerChrysler Corporation and are used under license.

©DaimlerChrysler Corporation 2005.

Goodyear (and winged foot design) and Wrangler (for tires) are trademarks of The Goodyear Tire & Rubber Company, used with permission.

Fisher-Price, Power Wheels, Power Wheels by Fisher-Price and Power Lock are U.S. trademarks of Mattel, Inc.



## Owner's Manual with Assembly Instructions

For Model J0713

# TABLE OF CONTENTS

<b>A</b> Important Information .....	2
<b>B</b> Warnings and Cautions .....	3
<b>C</b> Parts .....	4
<b>D</b> Parts Picture .....	6
<b>E</b> Battery Charging .....	7
<b>F</b> Assembly .....	9
<b>G</b> Decoration .....	15
<b>H</b> Battery Installation and Battery Retainer (Engine Cover) Assembly .....	16
<b>I</b> Battery Care and Disposal .....	17
<b>J</b> Safe Driving Rules .....	18
<b>K</b> Vehicle Operation .....	19
<b>L</b> Vehicle Care .....	19
<b>M</b> Limited Warranty .....	20
<b>N</b> Problems and Solutions Guide .....	21

## A

## IMPORTANT INFORMATION

- Your new vehicle requires adult assembly. Please set aside at least 45 minutes for assembly.
- You must charge your battery for 18 - 30 hours **before you use your vehicle for the first time**. We recommend that you start charging your battery before beginning assembly. Please see Battery Charging beginning on page 7 for detailed instructions.
- Read this manual carefully for important safety information and operating instructions before using your vehicle. Please keep this manual for future reference as it contains important information.
- Use this vehicle **ONLY** outdoors. Most interior flooring can be damaged by riding this vehicle indoors. Fisher-Price® will not be responsible for damage to floors if the vehicle is used indoors.
- This vehicle is designed for use on asphalt and other hard surfaces; on generally level terrain; and by children 1½ - 4 years of age.
- Make sure children know and follow these rules for safe driving and riding:
  - always sit on the seat.
  - always wear shoes.
  - only 1 (one) rider at a time.
- To prevent damaging the motors and gears, teach your child to stop the vehicle before switching between forward and reverse. Do not tow anything behind the vehicle or overload it. Do not exceed the maximum weight capacity of 50 lb (23 kg).
- If you have any questions about your Power Wheels® vehicle, please call our toll-free service lines at **1-800-348-0751** from 8 AM to 6 PM (EST) Monday through Friday. Trained customer service representatives are available to take your call in English or French. Habla Español? Si usted tiene alguna pregunta ónecesita asistencia llame gratis **1-800-348-0755** para los Estados Unidos. Tenemos representantes que hablan español para atender su llamada.
- For your convenience, Power Wheels® maintains an **independently owned and operated** Authorized Service Center Network with more than 400 authorized service centers nationwide. Our authorized service centers will repair or replace parts under warranty at no extra charge, and can perform non-warranty repairs for a minimal charge. To find the authorized service center nearest you, visit us on-line at **www.powerwheels.com** or call **1-800-348-0751**.
- If you would like to register your vehicle, please visit us on-line at **www.powerwheels.com**

## ELECTRICAL HAZARD

### WARNING

- Battery can fall out and injure a child if vehicle tips over. Always use battery retainer.
- **PREVENT FIRE**
  - Never modify the electrical system. Alterations could cause a fire resulting in serious injury and could also ruin the electrical system.
  - Use of the wrong type battery or charger could cause a fire or explosion resulting in serious injury.
  - Use of Power Wheels® components in products other than Power Wheels® vehicles could cause overheating, fire or explosion.
- The battery must be handled by adults only. The battery is heavy and contains sulfuric acid (electrolyte). Dropping the battery could result in serious injury.
- Never allow children to charge the battery. Battery charging must be done by adults only. A child could be injured by the electricity involved in charging the battery.
- Never lift or carry the battery by the wires or connector. This can damage the battery and possibly cause a fire resulting in serious injury. Lift and carry the battery by the case only.
- Read the safety instructions on the battery.
- Examine the battery, charger and their connectors for excessive wear or damage each time you charge the battery. If damage or excessive wear is detected, do not use the charger or the battery until you have replaced the worn or damaged part.
- **HOT** motors. Handle carefully.

## RIDING HAZARD

### WARNING

#### Prevent Injuries and Deaths

- Direct Adult Supervision Required
- Never Ride at Night
- Keep Children Within Safe Riding Areas.

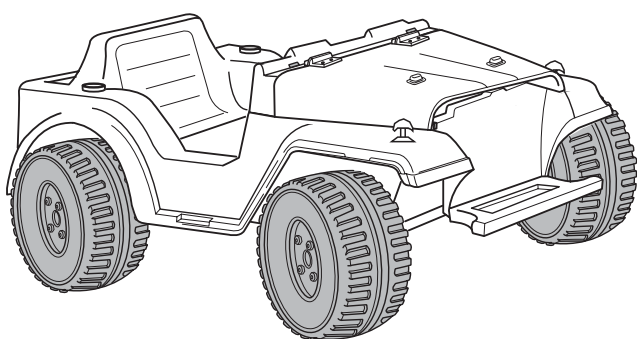
These areas must be:

- away from swimming pools and other bodies of water to prevent drownings
- generally level to prevent tipovers
- away from steps, cars, steep inclines, roads and alleys.

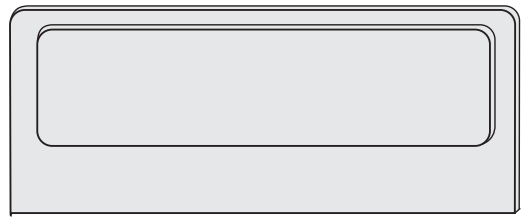
### CAUTION

- In the unassembled state, this package contains small parts. Adult assembly is required.
- Use the charger in dry locations only.

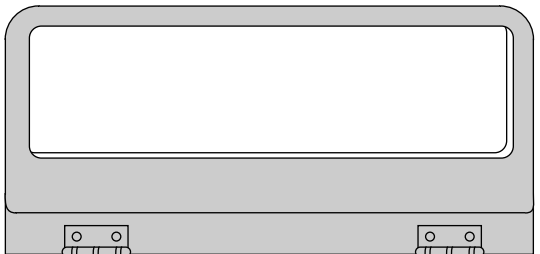
- If you experience a problem with this product, or are missing a part, please call us at **1-800-348-0751**, rather than return this product to the store.
- Please identify all parts before assembly and save all packaging material until assembly is complete to ensure that no parts are discarded.
- Metal parts have been coated with a lubricant to protect them during shipment. Wipe all metal parts with a paper towel to remove any excess lubricant.



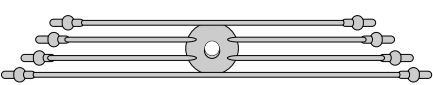
Vehicle Body (with Dash and Hood)



Windshield

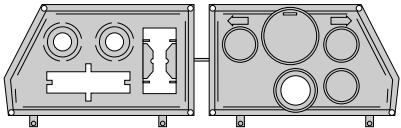


Windshield Frame



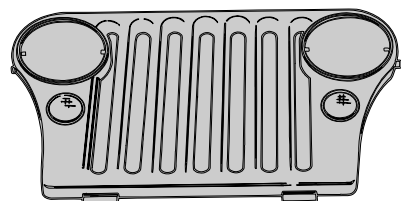
Spark Plug Wires

Dashboard Set

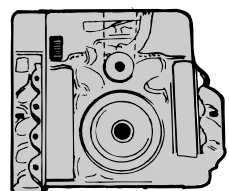


Activity Panel

Instrument Panel



Grille



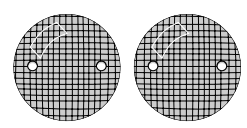
Battery Retainer (Engine Cover)



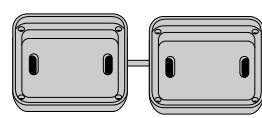
Sport Bar



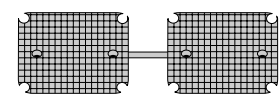
Steering Column



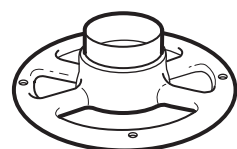
Headlight Lens - 2



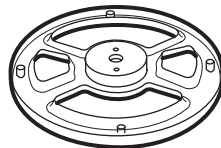
Taillight Housing Set



Taillight Lens Set



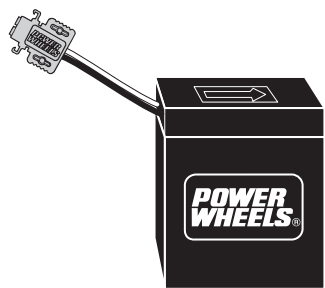
(Bottom Half)



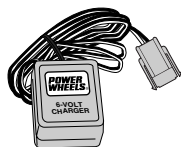
(Top Half)

Steering Wheel

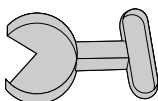
Fasteners Shown Actual Size



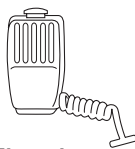
6 Volt Battery



6 Volt Charger



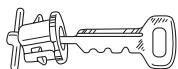
Shifter



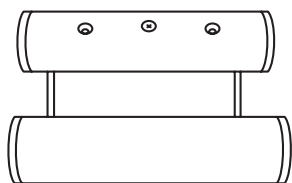
Microphone



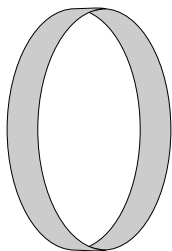
Steering Wheel Cap



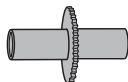
Key Assembly



Sport Bar Cover Set



Traction Band - 4

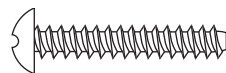


Radio Dial

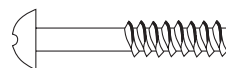


Cap Assembly

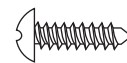
Parts Not Shown: Label Sheet - 2



#8 x 1" Screw - 12



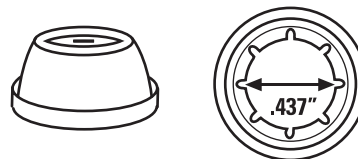
#8 x 18 x 1" Screw - 2



#6 x 1/2" Screw - 11



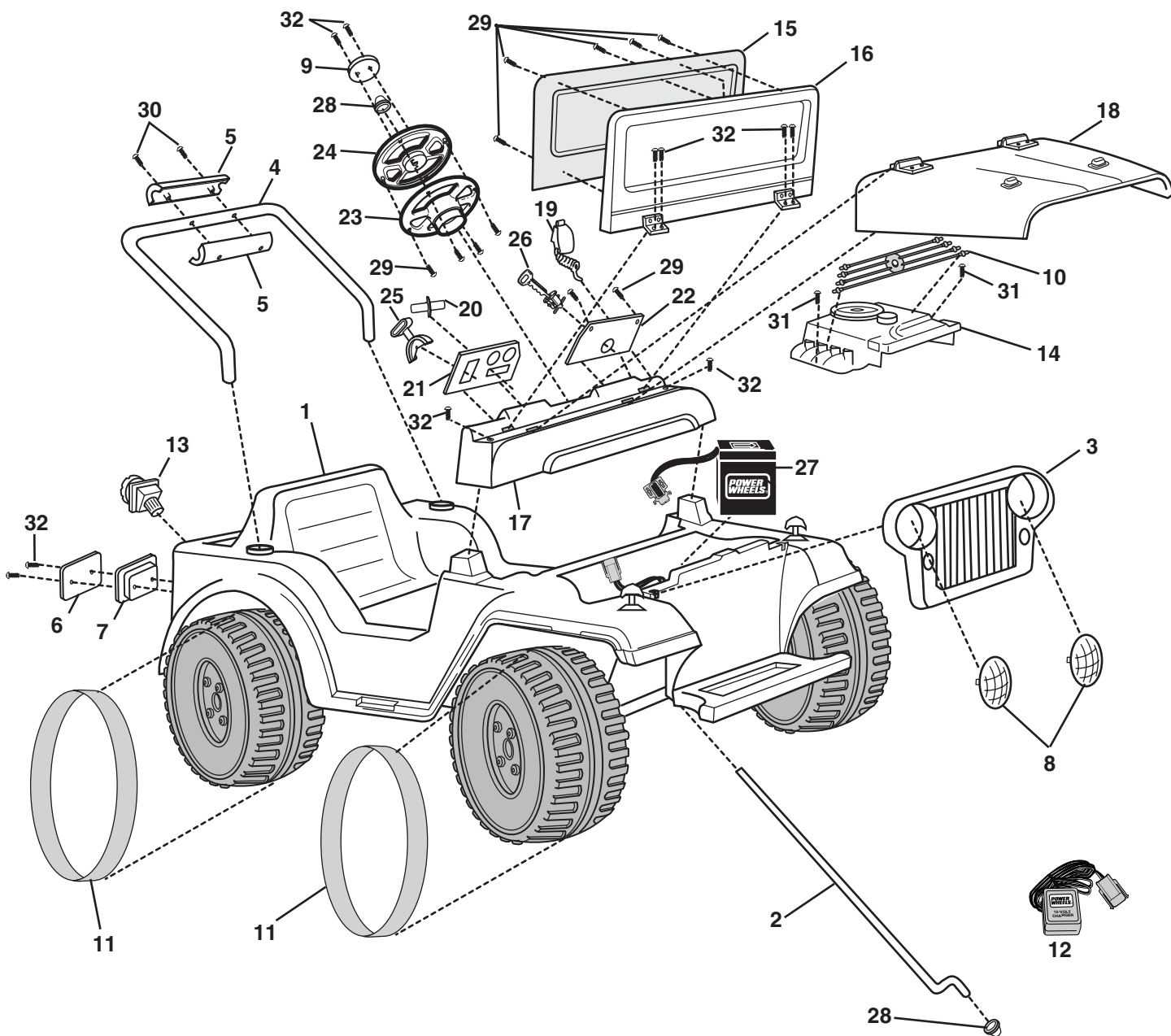
#6 x 1 1/2" Screw - 2



Cap Nut - 2

For your convenience, an extra cap nut has been included.  
Note: Tighten and loosen all screws with a Phillips screwdriver.  
Do not over-tighten the screws.

**Note:** Some of the parts shown are assembled to both sides of the vehicle.



<b>1</b> Vehicle Body	<b>8</b> Headlight Lens - 2	<b>15</b> Windshield	<b>22</b> Instrument Panel	<b>29</b> #6 x 1/2" Screw - 11
<b>2</b> Steering Column	<b>9</b> Steering Wheel Cap	<b>16</b> Windshield Frame	<b>23</b> Steering Wheel - Bottom Half	<b>30</b> #6 x 1 1/2" Screw - 2
<b>3</b> Grille	<b>10</b> Spark Plug Wires	<b>17</b> Dash	<b>24</b> Steering Wheel - Top Half	<b>31</b> #8 x 18 x 1" Screw - 2
<b>4</b> Sport Bar	<b>11</b> Traction Band - 4	<b>18</b> Hood	<b>25</b> Shifter	<b>32</b> #8 x 1" - 12
<b>5</b> Sport Bar Cover Set	<b>12</b> Type H 6 Volt Charger	<b>19</b> Microphone	<b>26</b> Key Assembly	
<b>6</b> Taillight Lens - 2	<b>13</b> Cap Assembly	<b>20</b> Radio Dial	<b>27</b> Type H 6 Volt Battery	
<b>7</b> Taillight Housing - 2	<b>14</b> Battery Retainer (Engine Cover)	<b>21</b> Activity Panel	<b>28</b> .437 Cap Nut - 2	

**Parts Not Shown**

Label Sheet - 2

## ELECTRICAL HAZARD

 **WARNING**

- Battery can fall out and injure a child if vehicle tips over. Always use battery retainer.
- **PREVENT FIRE**
  - Never modify the electrical system. Alterations could cause a fire resulting in serious injury and could also ruin the electrical system.
  - Use of the wrong type battery or charger could cause a fire or explosion resulting in serious injury.
  - Use of Power Wheels® components in products other than Power Wheels® vehicles could cause overheating, fire or explosion.
- The battery must be handled by adults only. The battery is heavy and contains sulfuric acid (electrolyte). Dropping the battery could result in serious injury.
- Never allow children to charge the battery. Battery charging must be done by adults only. A child could be injured by the electricity involved in charging the battery.
- Never lift or carry the battery by the wires or connector. This can damage the battery and possibly cause a fire resulting in serious injury. Lift and carry the battery by the case only.
- Read the safety instructions on the battery.
- Examine the battery, charger and their connectors for excessive wear or damage each time you charge the battery. If damage or excessive wear is detected, do not use the charger or the battery until you have replaced the worn or damaged part.

 **CAUTION**

Use the charger in dry locations only.

**About Thermal Fuses**

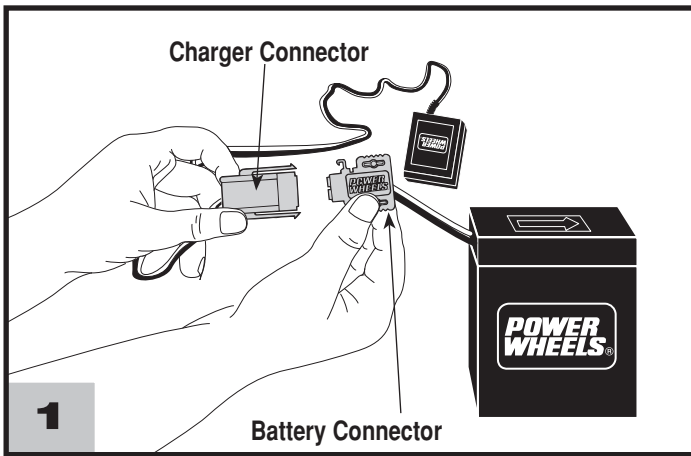
Your Power Wheels® 6 volt battery is equipped with a built-in thermal fuse. The thermal fuse is a self-resetting safety device which automatically “trips” and shuts down operation of the vehicle if the vehicle is overloaded or the driving conditions too severe. Once a fuse has “tripped”, it will automatically reset itself after approximately 25 seconds and allow the vehicle to resume normal operations. To avoid repeated automatic shut-downs, do not overload the vehicle by exceeding the 50 lbs (23 kg.) maximum weight capacity or by towing anything behind the vehicle. Avoid severe driving conditions, such as driving up slopes or running into fixed objects, which can cause the wheels to stop spinning while power is still being supplied to the motors. Make sure your child stops the vehicle before switching speeds or direction.

If a thermal fuse in a battery continually trips under normal driving conditions, please contact your local **independently owned and operated** Power Wheels® Authorized Service Center. For the location of the nearest you, visit us on-line at [www.powerwheels.com](http://www.powerwheels.com).

**IMPORTANT!**

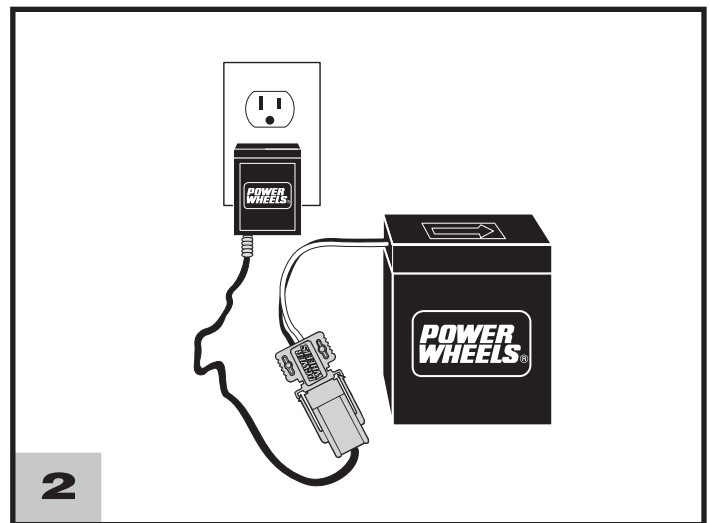
**Your new battery must be charged for at least 18 hours before you use it in your vehicle for the first time.**

- We recommend that you start charging your battery before beginning assembly of your new vehicle.
- The battery must be upright while charging.
- The charger is not a toy.
- Do not short circuit the battery.
- If your battery is old and will not accept a charge, do not leave it in the vehicle. Always remove a dead battery from the vehicle.
- Once installed, you do not need to remove the battery from your vehicle to recharge it.
- Before charging the battery, examine the battery case for cracks and other damage which may cause sulfuric acid (electrolyte) to leak during the charging process. If damage is detected, do not charge the battery or use it in your vehicle. Battery acid is very corrosive and can cause severe damage to surfaces it contacts.
- Do not charge the battery on a surface (such as kitchen counter tops) which could be damaged by the acid contained inside the battery. Take precautions to protect the surface on which you charge your battery.
- Use only a Power Wheels® Type H 6 volt charger (120 VAC, 60 Hz, 12W with an output of 6 VDC 4.8W 800mA) to charge your Power Wheels® Type H 6 volt battery.



- Squeeze the connector tabs on the charger connector and plug it into the battery connector.

**IMPORTANT!** If you are recharging your battery, you will first need to lift the hood and remove the battery retainer (pretend engine cover). Disconnect the battery connector from the motor harness connector.

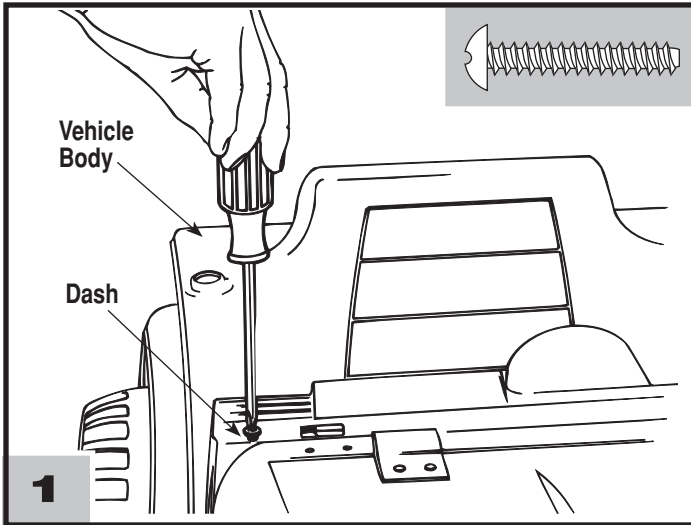


- Plug the charger into a standard wall outlet.
- Note:** If power flow to the wall outlet is controlled by a switch, make sure the switch is "ON".
- **Before first-time use, charge the battery for at least 18 hours.** Never charge the battery longer than 30 hours.
  - Recharge the battery for at least 14 hours after each use of your vehicle. Do not charge the battery longer than 30 hours.
  - Once the battery is charged, disconnect the charger connector from the battery connector. Unplug the charger from the wall outlet. The battery is now ready to be installed in your vehicle. Please see the Battery Installation section on page 16 for detailed instructions on installing your battery.



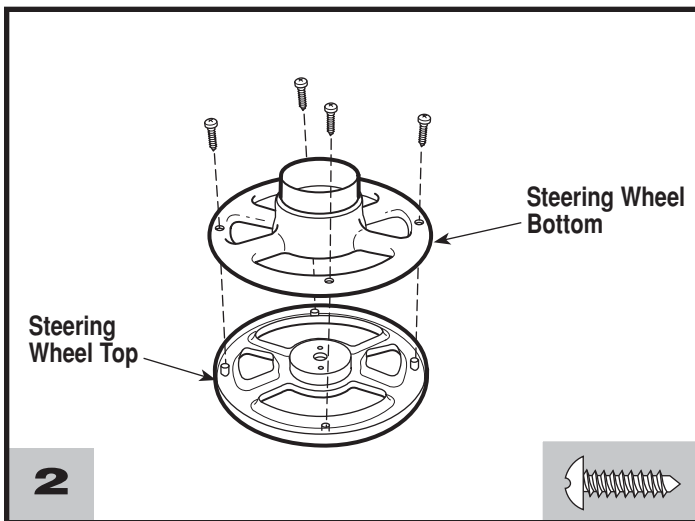
## ⚠ WARNING

Children can be harmed by small parts, sharp edges and sharp points in the vehicle's unassembled state, or by electrical items. Care should be taken in unpacking and assembly of the vehicle. Children should not handle parts, including the battery, or help in assembly of the vehicle.



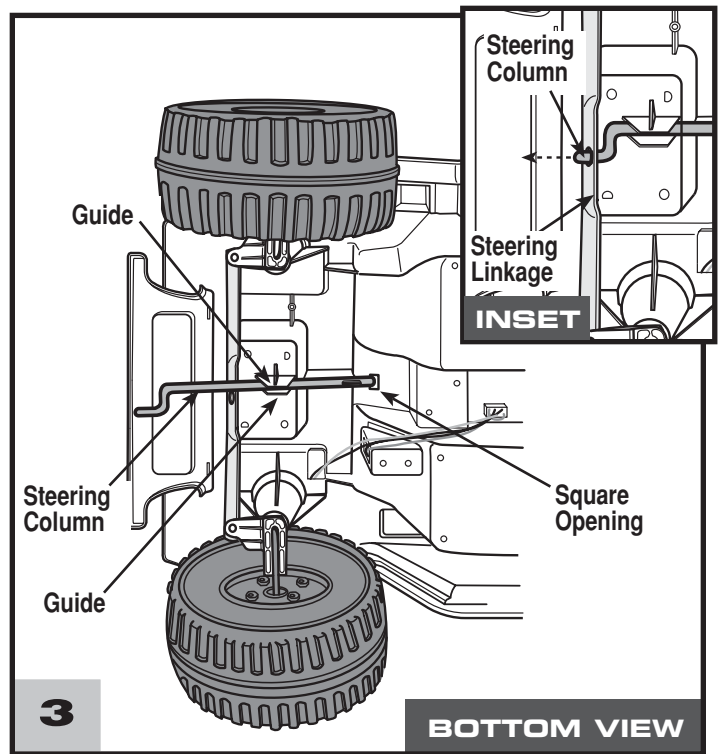
1

- Insert a #8 x 1" screw through the hole in each end of the dash and into the vehicle body. Tighten the screws.



2

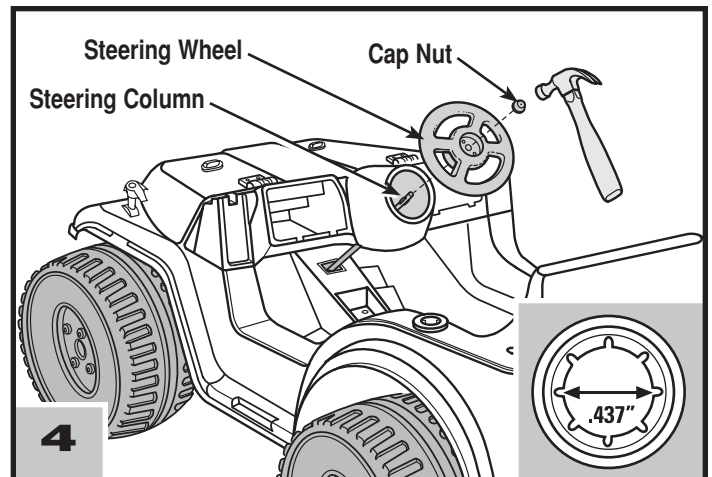
- Fit the steering wheel top and bottom together.
- Insert four #6 x 1/2" screws into the holes in the steering wheel bottom and tighten.
- Set the steering wheel aside.



3

BOTTOM VIEW

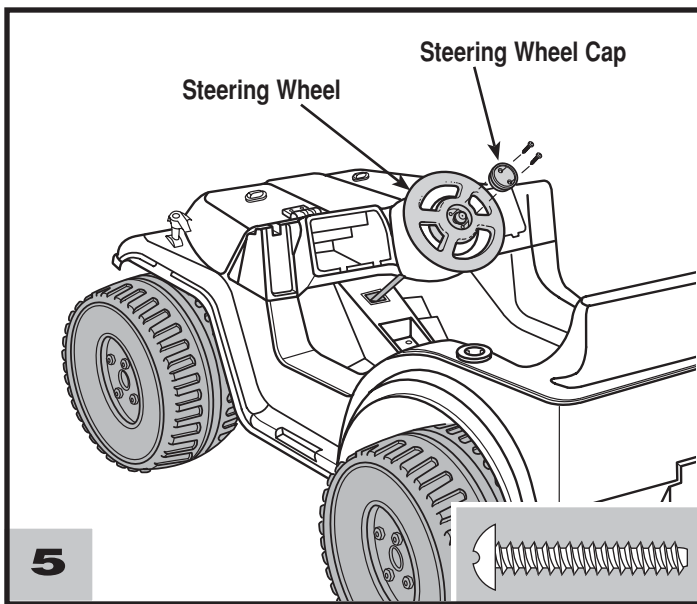
- Position the vehicle body on its side.
- Fit the straight end of the steering column up through the square opening in the vehicle body and out through the large round hole in the dash. **Make sure the steering column is positioned between the guides on the underside of the vehicle body.**
- Insert the end of the steering column through the hole in the steering linkage (see inset).



4

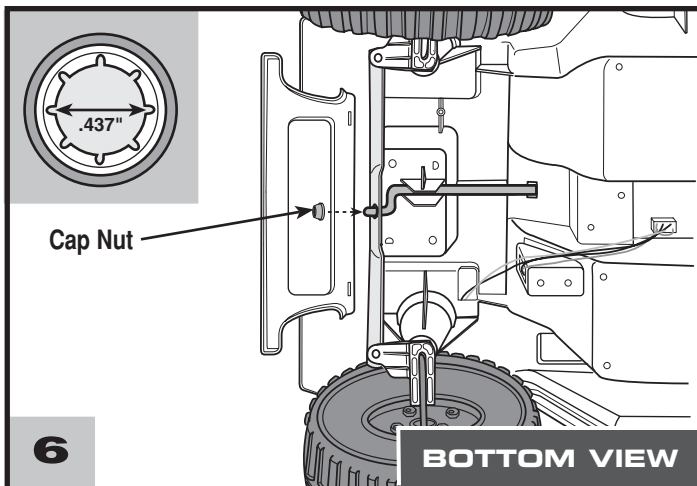
- Turn the vehicle body upright.
- Align the keyed hole in the center of the steering wheel with the ribs on the steering column. Fit the steering wheel onto the steering column. The base of the steering wheel should fit into the large hole in the dash.
- Fit a cap nut onto the end of the steering column.
- Tap the cap nut with a hammer to secure it on the steering column.

**Hint:** You may want the help of another person to support the steering column while you tap the cap nut with the hammer.



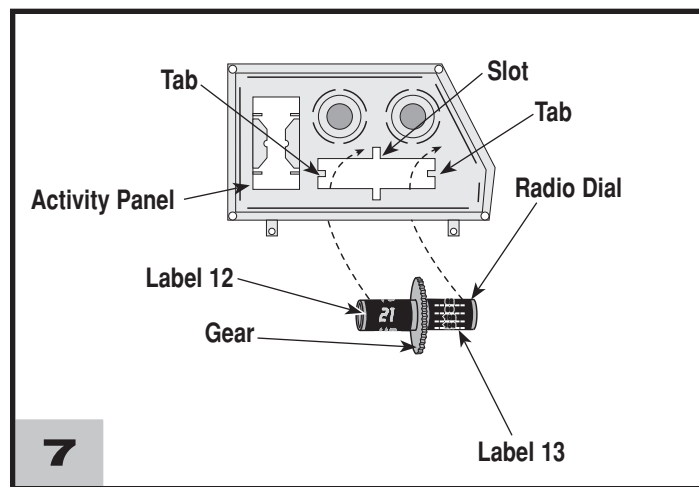
5

- Fit the steering wheel cap into the center of the steering wheel with the screw holes aligned.
- Insert two #8 x 1" screws into the holes in the steering wheel cap and tighten.



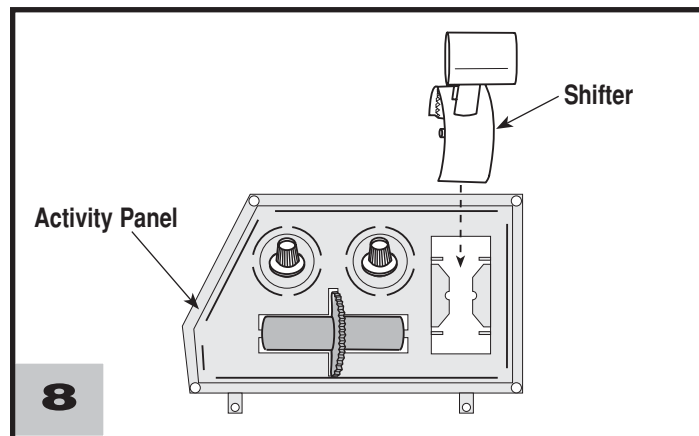
6

- Position the vehicle body on its side.
- Fit a cap nut onto the end of the steering column.
- While supporting the steering column tap the cap nut with a hammer to secure it on the steering column.
- Turn the vehicle body upright.



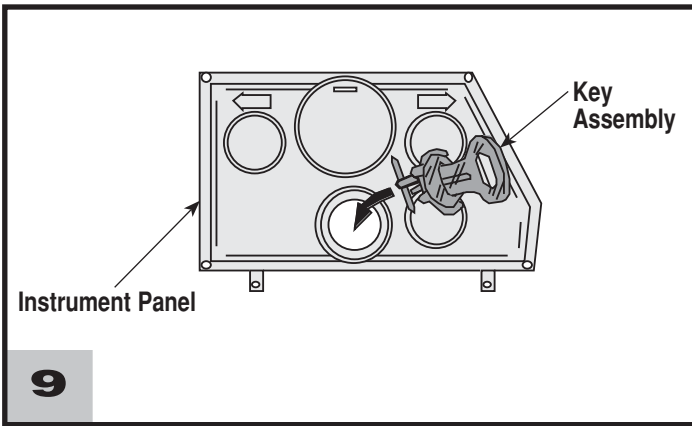
7

- Using safety scissors, separate the activity panel and the instrument panel. Dispose of the plastic connector.
- Apply labels 12 and 13 to the radio dial.
- From the back of the activity panel: fit one end of the radio dial onto a tab on the activity panel; position the center gear in the slot; and then press firmly to snap in the other end of the radio dial to the other tab on the activity panel.

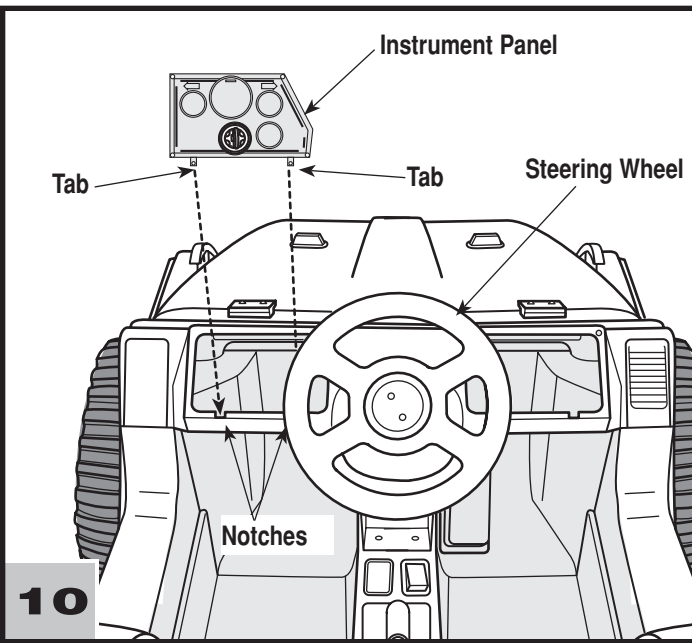


8

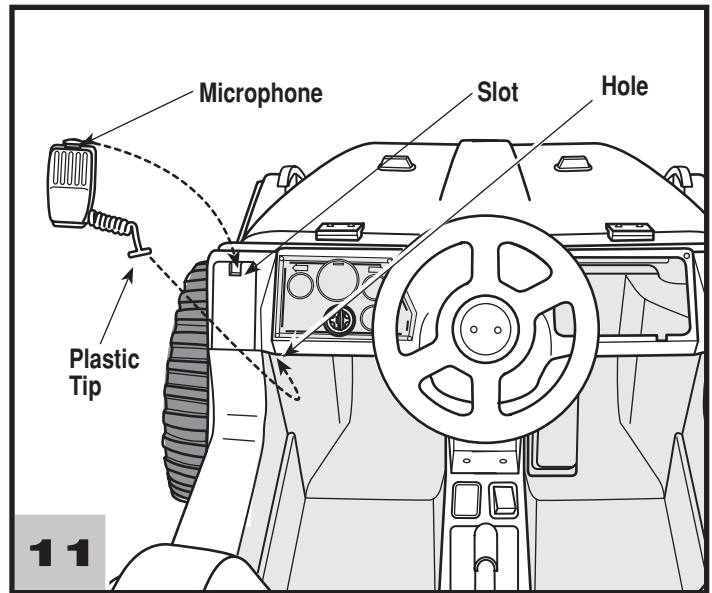
- Turn the activity panel over. With the wide part of the shifter handle outward, insert and snap the shifter into the activity panel.
- Set the activity panel aside.


**9**

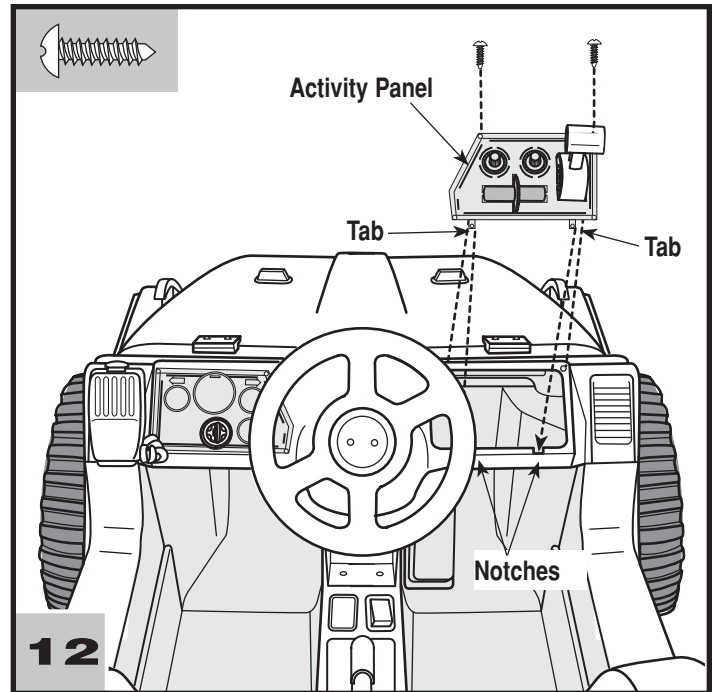
- Insert and “snap” the key assembly into the hole in the instrument panel.


**10**

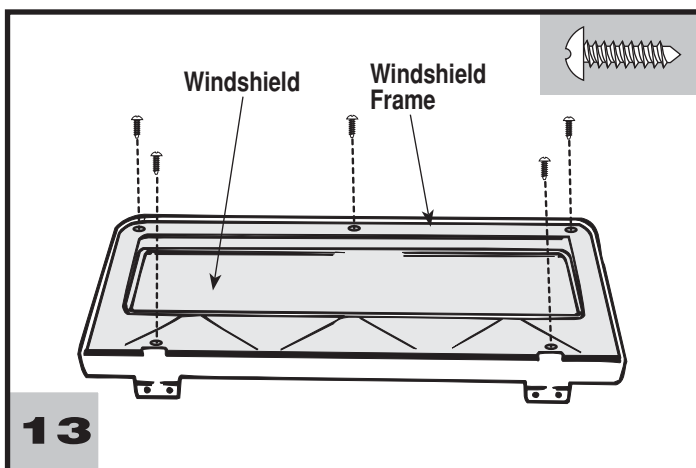
- Fit the tabs on the bottom of the instrument panel into the notches in the dash opening to the left of the steering wheel.
- Press near the top of the instrument panel to snap the top tab on the back of the instrument panel into the dash.


**11**

- Bend the plastic tip at the end of the microphone cord to form a “T”.
- Insert the plastic tip into the small hole in the left side of the vehicle body. Pull gently on the cord to make sure it is secure.
- Fit the tab on the back of the microphone into the slot in the dash.

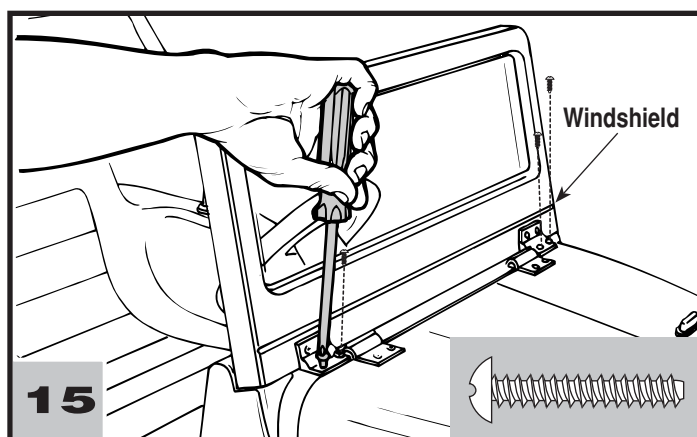

**12**

- Fit the tabs on the bottom of the activity panel into the notches in the dash opening to the right of the steering wheel.
- Insert two #6 x 1/2" screws into the holes in the top of the activity panel and tighten.



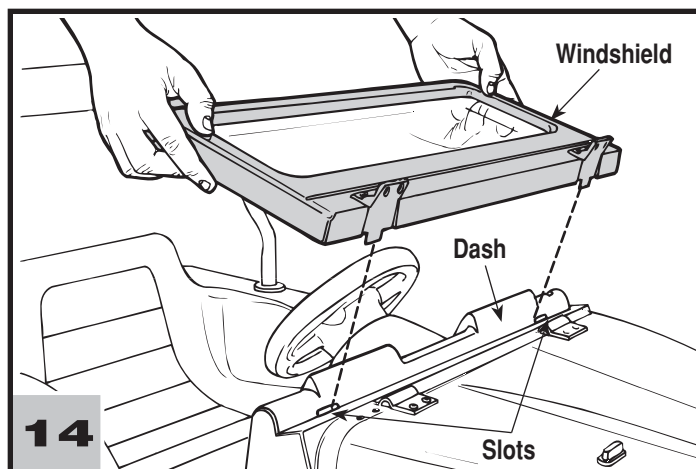
13

- Fit the windshield into the windshield frame.
- Insert five #6 x 1/2" screws into the holes in the windshield and tighten.



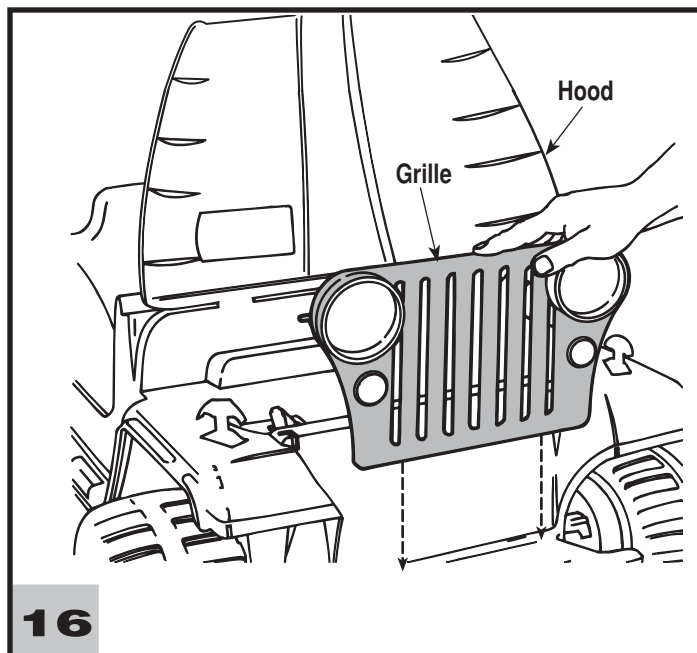
15

- Rotate the top of the windshield toward the front of the vehicle body.
- Insert four #8 x 1" screws into the holes in the hinge on the windshield and tighten.



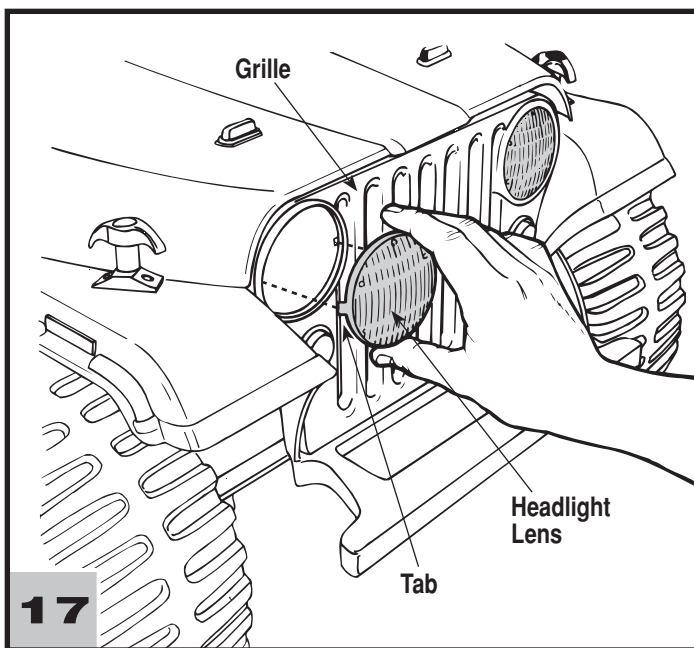
14

- Fit the tabs on the back of the windshield into the slots in the top of the dash.

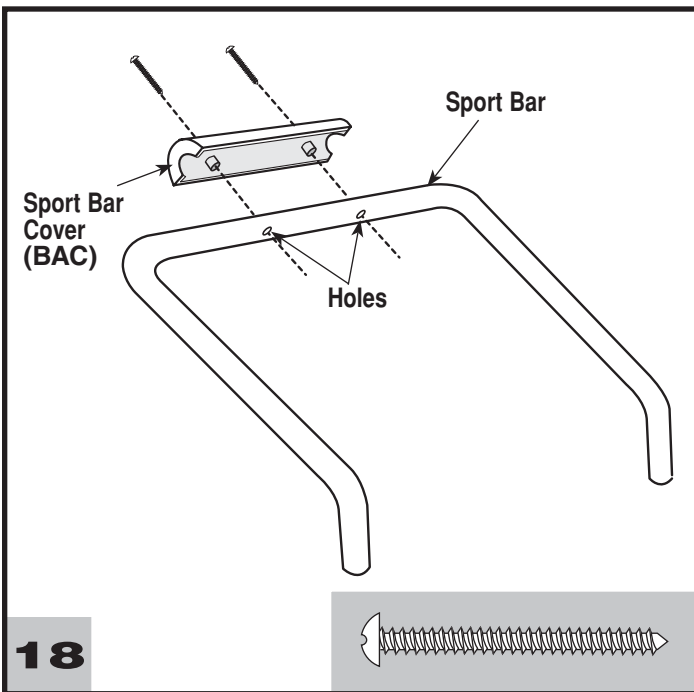


16

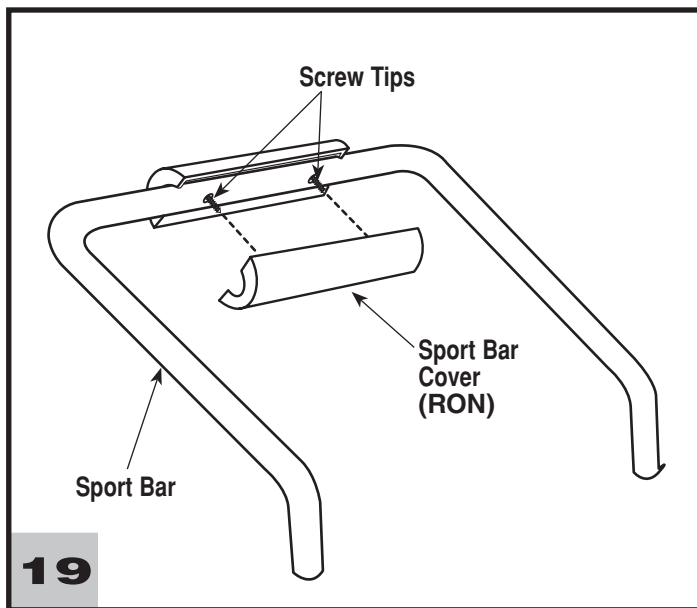
- Lift the hood.
- Fit the tabs at the bottom of the grille into the slots in the vehicle body.
- Press near the top of the grille to snap it into the vehicle body.
- Lower the hood.



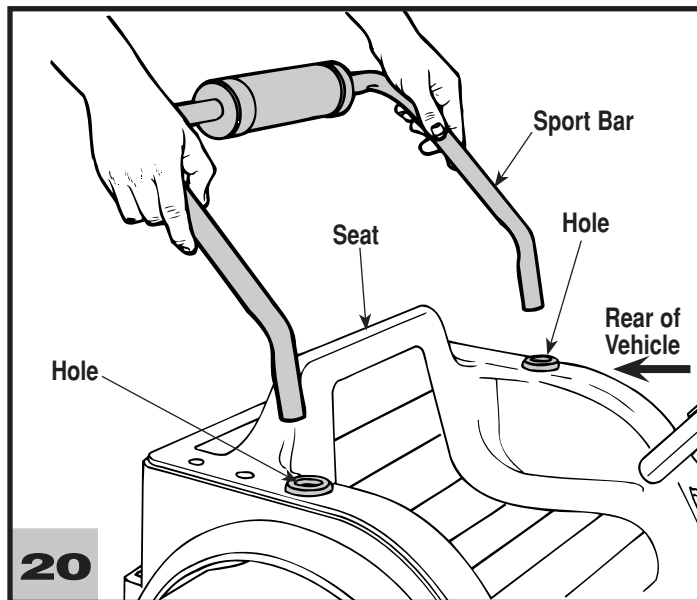
- Fit the tab on one side of a headlight lens into the notch in the grille.
- Push firmly to snap the tab on the other side of the headlight lens into the grille.
- Repeat this procedure to assemble the other headlight lens to the grille.



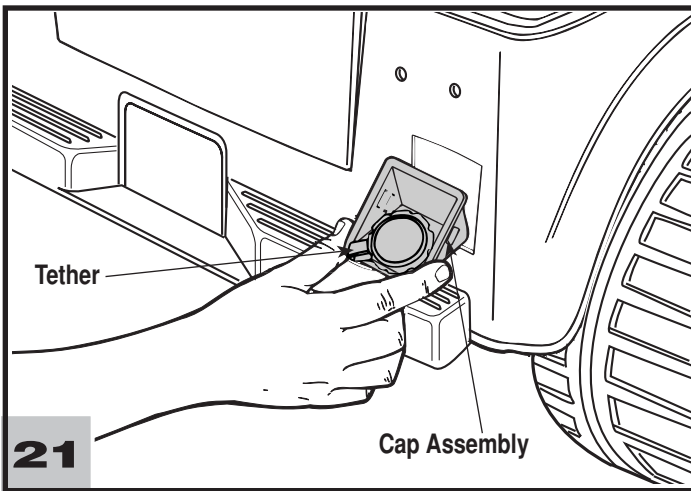
- Using safety scissors, separate the sport bar covers. Dispose of the plastic connector.
- With the ends of the sport bar angled toward you, fit the sport bar cover marked "BAC" to the sport bar.
- Align the holes in the sport bar with the holes in the sport bar cover.
- Insert two #6 x 1½" screws through the sport bar cover and into the sport bar, as shown.



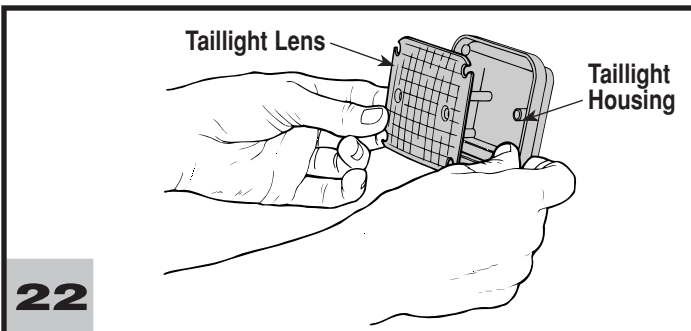
- Align the tips of the screws with the holes in the other sport bar cover marked RON. Fit the two sport bar covers together.
- Tighten the screws.



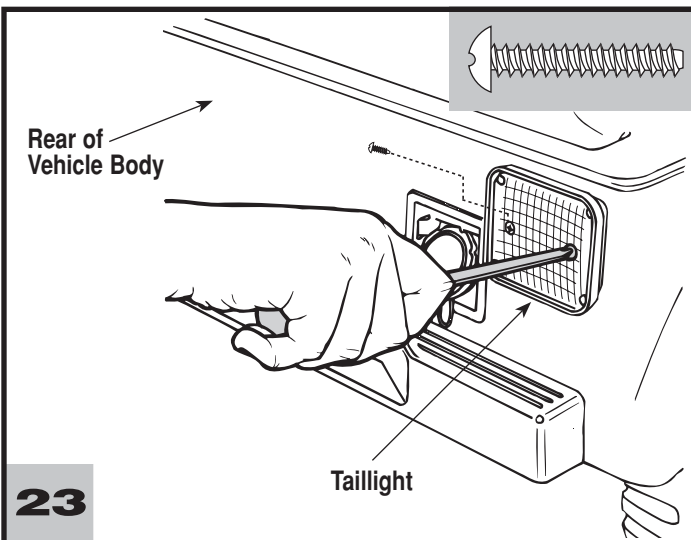
- With the sport bar positioned to angle towards the rear of the vehicle, fit the ends of the sport bar into the holes in the vehicle body on either side of the seat.
- Press firmly on each side of the sport bar to fit it into the vehicle body.



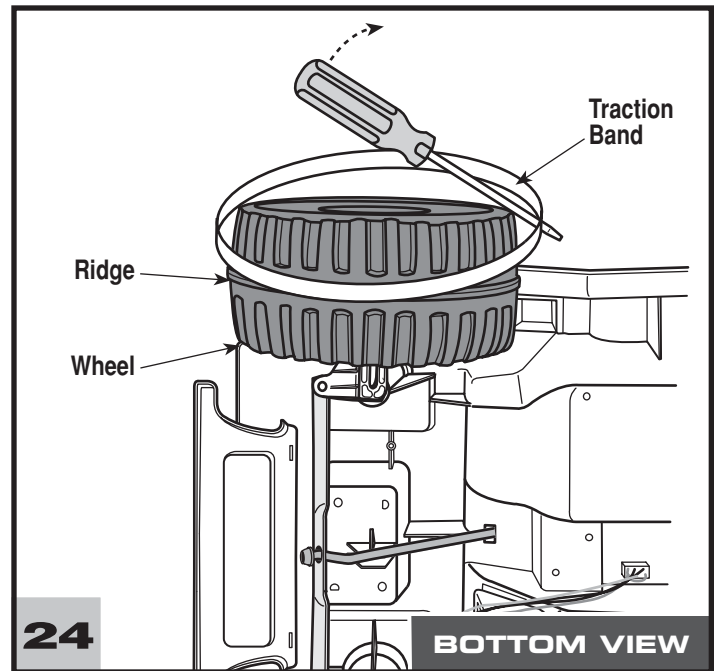
- Face the back of the vehicle.
- With the cap tether pointing down, insert and “snap” the cap assembly into the square opening in the rear of the vehicle.



- Using safety scissors, separate the taillight lenses and taillight housings from the plastic connectors. Dispose of the plastic connectors properly.
- Fit a taillight lens in a taillight housing.



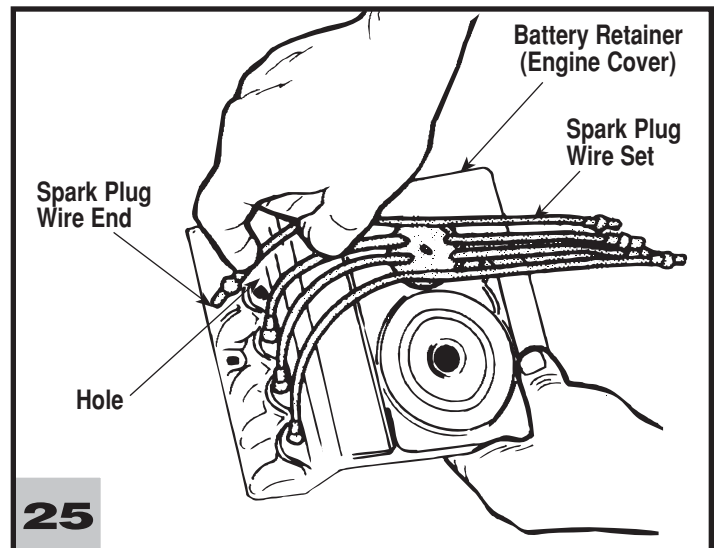
- Face the back of the vehicle.
- Align the holes in the taillight with the holes in the vehicle body.
- Insert two #8 x 1" screws into the holes in the taillight and tighten.
- Repeat steps 22 and 23 to assemble the other taillight lens and taillight housing to the vehicle body.



- Turn the vehicle on its side.
- Fit a traction band around a wheel.
- Slide a slotted screwdriver under the traction band to push the traction band onto the ridge in the center of the wheel.

*Hint: If the traction band is difficult to fit around the wheel, you may want to soak it in warm water to soften it slightly.*

- Repeat this procedure to assemble a traction band to each wheel.
- Turn the vehicle upright.

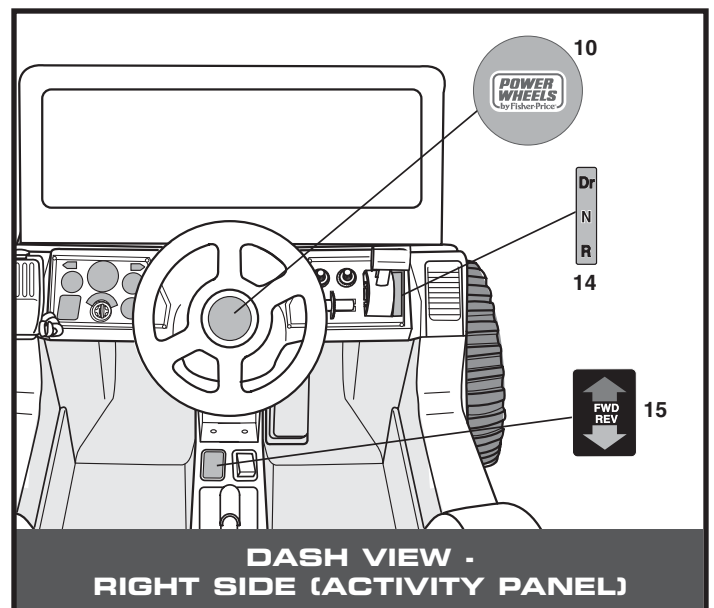
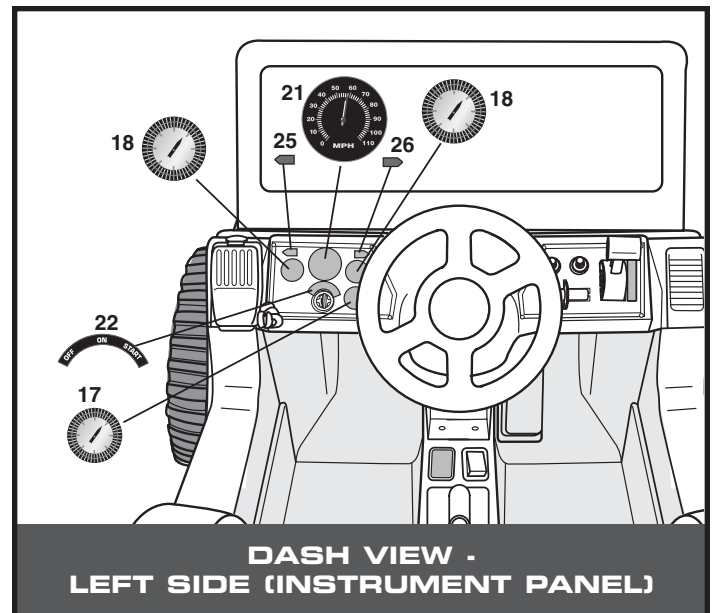
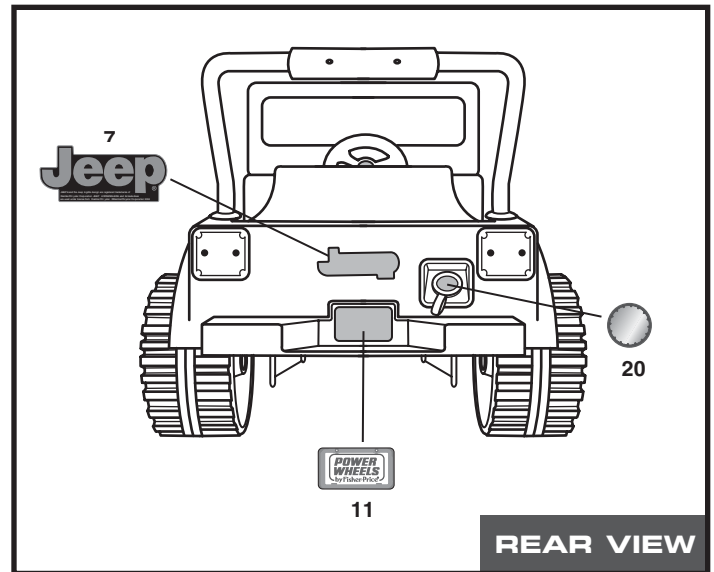
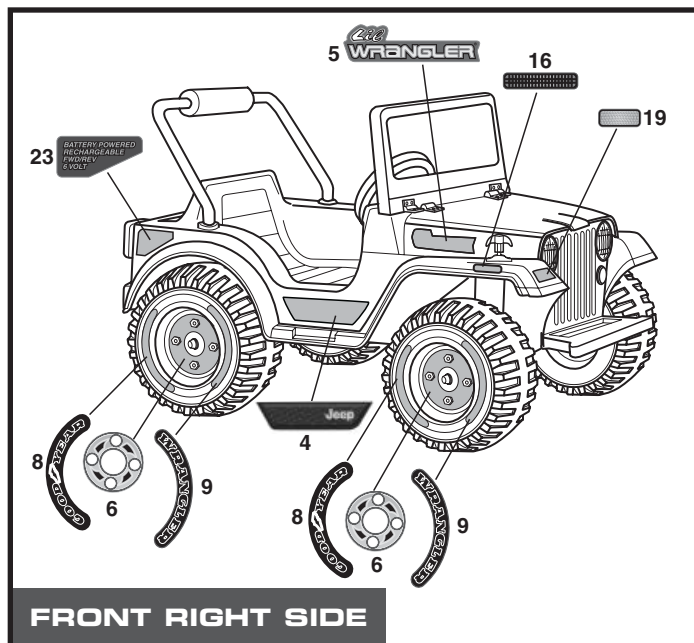
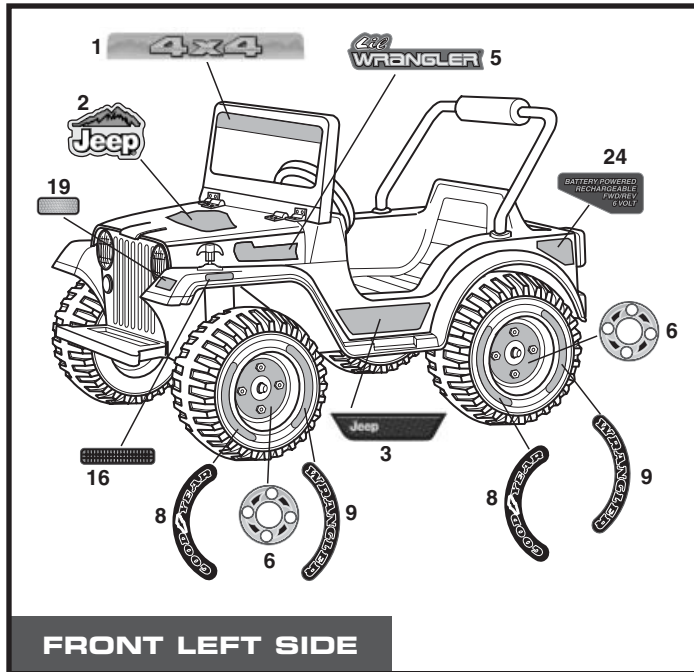


- “Snap” the center of the spark plug wire set onto the battery retainer (engine cover).
- Fit each of the spark plug wire ends into the holes on the sides of the battery retainer (engine cover).

**IMPORTANT!** You must install your Power Wheels® battery in your vehicle before assembling the battery retainer (engine cover) under the hood. Please refer to “Battery Installation” on page 16 for detailed instructions.

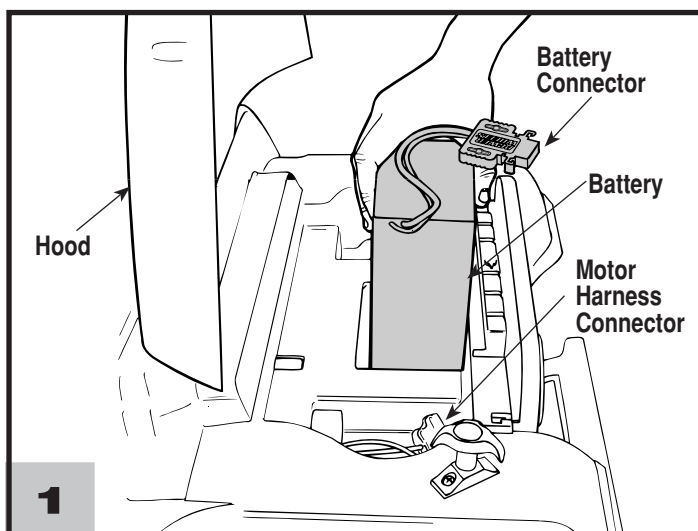
Proper label application will help to keep the labels looking their best! Keep the following guidelines in mind when applying labels:

- Wash your hands before applying the labels.
- Before applying the labels, wipe the surface of the vehicle with a clean, dry cloth to remove any dust or oils.
- Place the labels exactly as shown in these instructions.
- For best results, avoid repositioning a label once it has been applied to the vehicle.
- After applying a label, rub the label firmly with a clean, dry cloth to make sure the label is adhered to your vehicle. Start at the center of a label and smooth towards the outer edges to remove air bubbles.

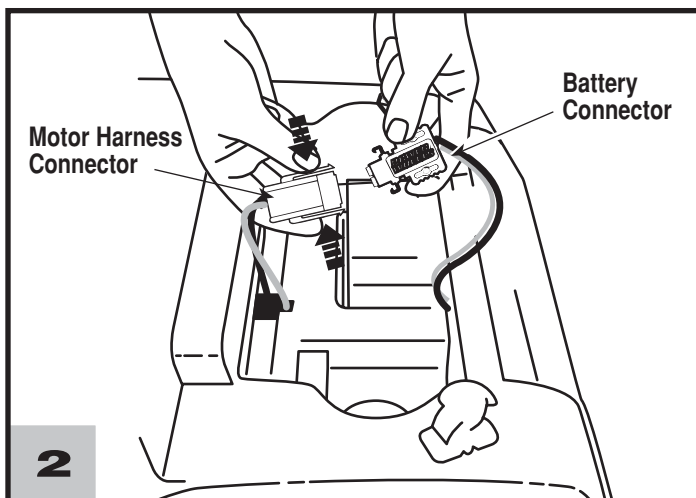


# BATTERY INSTALLATION AND BATTERY RETAINER (ENGINE COVER) ASSEMBLY

**IMPORTANT!** Use only a Power Wheels® Type H 6 Volt battery. Use of any other battery will damage your vehicle. Make sure that you charge the battery for at least 18 hours using the enclosed Power Wheels® Type H 6 Volt charger before operating your vehicle for the first time. Charge the battery for at least 14 hours after each use of the vehicle. Never charge the battery longer than 30 hours. Failure to follow these instructions may damage your battery and will void your warranty.

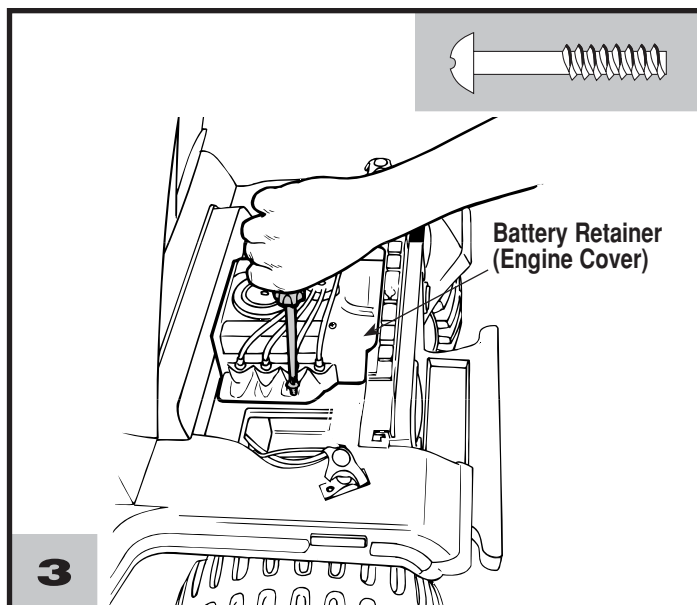


- Lift the hood.
- Place the battery in the battery compartment. Make sure the battery connector extends toward the motor harness connector.

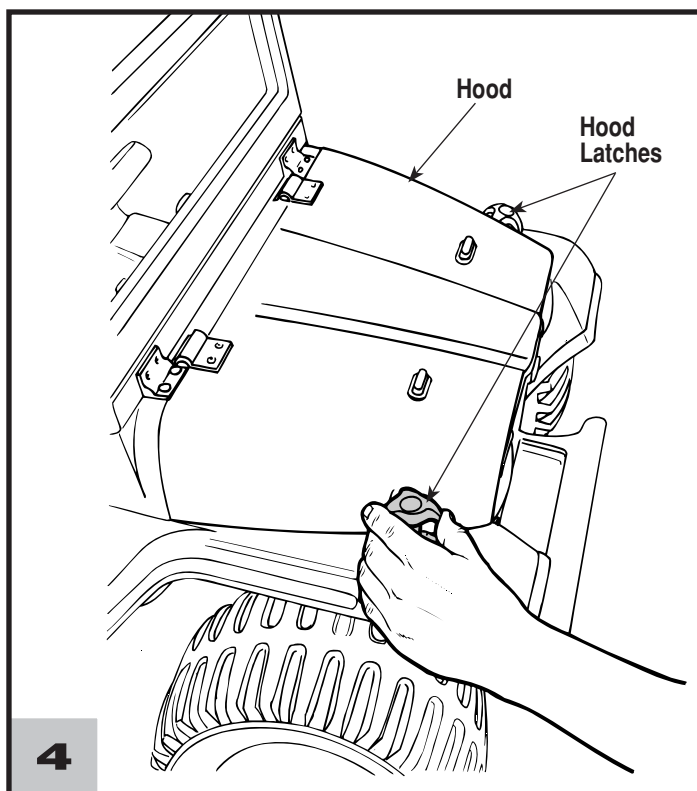


- Squeeze the tabs on each side of the motor harness connector. Plug the battery connector into the motor harness connector.

**Note:** If the battery connector will not plug into the motor harness connector, turn it over and try again. Do not force the battery connector into the motor harness connector.



- Fit the battery retainer (engine cover) over the battery, motor harness connector and battery connector.
- Insert two #8 x 18 x 1" screws into the holes in the battery retainer (engine cover) and tighten.



- Lower the hood. Lift the hood latches and fit the short tabs onto the notches on the hood to fasten it.



## Care

**If a battery leak develops**, avoid contact with the leaking acid and place the damaged battery in a plastic bag. See information below for proper disposal.

**If acid comes in contact with skin or eyes**, flush with cool water for at least 15 minutes and call a physician.

**If acid is internally ingested**, give water, milk of magnesia or egg whites immediately. Never give emetics or induce vomiting.

Call a physician.

- Charge a new battery for at least 18 hours before first use. Never charge the battery longer than 30 hours. Overcharging or undercharging the battery may shorten battery life and decrease vehicle running time.
- After the first charge, recharge the battery for at least 14 hours after each use. Never charge the battery longer than 30 hours. Charge the battery after each use, regardless of how long the vehicle was used.
- The battery must be upright while charging.
- Do not allow the battery to run down completely before charging.
- Charge the battery before storing the vehicle.
- Charge the battery at least once per month, even if the vehicle has not been used.
- Leaving the battery in a discharged condition will ruin it.
- Always remove an exhausted battery from the vehicle. Battery leakage and corrosion can damage the vehicle.
- Do not store the battery on a surface (such as kitchen countertops) which could be damaged by the acid contained inside the battery. Take precautions to protect the surface on which you store the battery.
- Do not store the battery in temperatures above 75° F or below -10° F.
- Prevent the battery from moving freely inside the battery compartment. **Always use the battery retainer (engine cover) to secure the battery in the battery compartment.**
- Examine the battery, charger and their connectors for excessive wear or damage each time you charge the battery. If damage is detected, do not use the charger or the battery until you have replaced the worn or damaged part.

## Disposal



- Your Power Wheels® battery is a non-spillable sealed lead-acid battery. It must be recycled or disposed of in an environmentally sound manner.
- Do not dispose of a lead-acid battery in a fire. The battery may explode or leak.
- Do not dispose of a lead-acid battery in your regular, household trash. The incineration, landfilling or mixing of sealed lead-acid batteries with household trash is prohibited by law in most areas.
- Return exhausted batteries to a federal or state approved lead-acid battery recycler, such as a Power Wheels® authorized service center, or a local seller of automotive batteries. For the service center location nearest you, please call **1-800-348-0751**. Contact your local waste management officials for other information regarding the environmentally sound collection, recycling and disposal of lead-acid batteries. If you live in the State of Florida or Minnesota, it is prohibited by law for anyone to throw away lead-acid batteries in the municipal waste stream.

## RIDING HAZARD

 **WARNING**
**Prevent Injuries and Deaths**

- Direct Adult Supervision Required
- Never Ride at Night
- Keep Children Within Safe Riding Areas

These areas must be:

- away from swimming pools and other bodies of water to prevent drownings
- generally level to prevent tipovers
- away from steps, cars, steep inclines, roads and alleys.

**Teach Safety Rules to Children**

While children can quickly develop the skill necessary to drive this vehicle, it is important to remember that their judgment skills are still very immature. Unsupervised driving by children can lead to serious injury. Before children use this vehicle, an adult should carefully evaluate the driving area as well as the children's skill level and ability to drive this vehicle safely. Children are not always able to recognize or anticipate hazards, even when they have been taught about them.

**There is no acceptable substitute for direct adult supervision.**

Teach appropriate safety rules to your child before allowing operation of this vehicle. These rules should also be reviewed with neighborhood children or other playmates who want to drive this vehicle.

**Riding Rules**

**Make sure children know and follow these rules for safe driving:**

1. Always sit on the seat.
2. Always wear shoes.
3. Only 1 (one) rider at a time. A child who is not sitting on the seat or who is standing on the vehicle could fall off, cause a tip-over or block the driver's view. A child could be seriously injured.
4. Do not allow any child to drive the vehicle in the street or near moving (motorized) vehicles.
5. Do not allow any child to drive near bodies of water (such as pools or creeks), obstructions (such as furniture, low tree limbs or play equipment), or drop-offs (such as stairs or decks).
6. Do not allow any child to drive the vehicle in the dark. A child could encounter unexpected obstacles and have an accident. Operate the vehicle only in the daytime or a well-lit area.
7. Do not allow your child to drive on sloped or inclined surfaces.  
**Restrict your child's driving to generally level ground ONLY!**
8. Do not allow your child to drive down or across a steep slope.
  - The vehicle may gain unsafe speed, even if the pedal is released to stop.
  - The vehicle may tilt and tip over.
  - The wheels could lose traction, causing the vehicle to slip.
9. Do not allow your child to drive up steep inclines. The motor may stop and the vehicle could roll backwards at an unsafe speed.



**Use vehicle on generally level ground ONLY!**

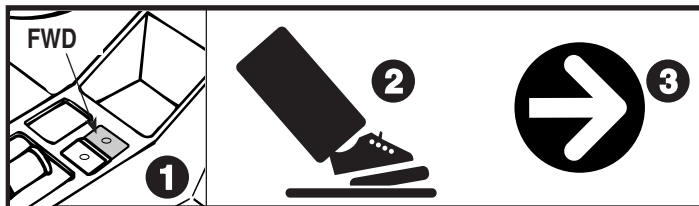
10. Never put anything near any moving parts. Rotating parts such as motors, gear boxes and wheels can snag fingers, hair, etc., causing serious injury. Do not allow operation of the vehicle when it is on its side or in an upside-down position.
11. Do not operate the vehicle near flammable vapors (gasoline, paint thinner, acetone, liquid wax, etc.). The vehicle's electrical switches, like most electrical switches, emit an internal spark when first turned on or turned off. The presence of flammable liquids or vapors could cause an explosion or a fire. Keep all flammable products in tightly sealed containers and away from the vehicle.
12. Do not allow a child to operate the vehicle without direct adult supervision. To prevent unsupervised use of the vehicle, disconnect the motor harness from the battery when the vehicle is not in use.

**To disconnect the motor harness connector and battery connector:**

- Lift the hood.
- Remove the battery retainer (engine cover).
- Squeeze the tabs on the motor harness connector to unplug it from the battery connector.
- Replace the battery retainer (engine cover).
- Lower the hood and fasten the hood latches.

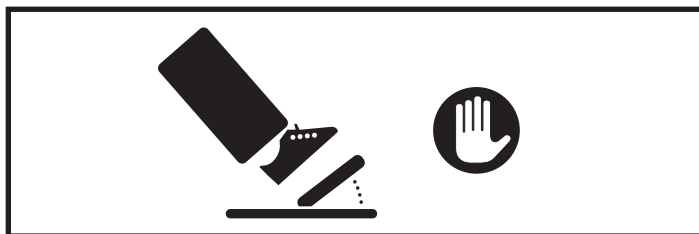
**IMPORTANT!** Use this vehicle **ONLY** outdoors. Most interior flooring can be damaged by riding this vehicle indoors. Fisher-Price® will not be responsible for damage if this vehicle is used indoors.

## To Drive



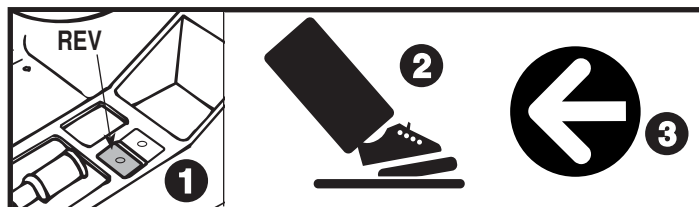
- Push the top button (FWD) to drive forward ❶.
- Press down on the foot pedal ❷. The vehicle moves forward at a maximum of 2½ mph ❸.
- Help your child practice steering to learn how far and how quickly to turn the steering wheel when driving forward.

## To Stop



- Your vehicle has a patented, electronic braking system that automatically stops the vehicle when your child's foot is lifted from the pedal.

## To Back-Up



- Once your child is comfortable operating the vehicle in forward, introduce reverse.

**IMPORTANT!** To prevent damage to the motors, stop the vehicle before switching between **forward** and **reverse**.

- Push the bottom button (REV) to drive in reverse ❶.
- Press down on the foot pedal ❷. The vehicle moves backwards at a maximum of 2½ mph ❸.
- Help your child practice steering to learn how far and how quickly to turn the steering wheel when driving in reverse.

- Check all screws, retainers and protective coverings regularly and tighten as required. Check plastic parts on a regular basis for cracks or broken pieces.
- During snowy or rainy weather, the vehicle should be stored inside or under a protective cover. Remember to charge the battery at least once per month while your vehicle is not in regular use.
- Avoid operating the vehicle in wet or snowy conditions, and do not spray the vehicle with a hose. Do not wash the vehicle with soap and water. Water or moisture in the motor or electrical switches can cause them to corrode, and could cause switch or motor failure.
- Avoid operating the vehicle on sand, loose dirt or gravel. Sand, loose dirt or gravel in the motor or electrical switches can cause them to jam, and could cause switch or motor failure.
- The vehicle can be wiped down with a soft, dry cloth. For a shiny finish, you can wipe plastic parts with a non-wax furniture polish applied to a soft-cloth. Do not use automotive wax. Do not use soap and water or spray the vehicle with a hose.
- To ensure that your vehicle stays in good operating order, we recommend that you periodically have your vehicle checked by a Power Wheels® authorized service center. For the location of the authorized service center nearest you, please visit us on-line at [www.powerwheels.com](http://www.powerwheels.com) or call 1-800-348-0751.

**\*One year limited warranty from the date of purchase on the Power Wheels® vehicle.**

**Six month limited warranty on 6 volt battery.**

For the original purchaser, this one year limited warranty covers the Power Wheels® ride-on vehicle (purchased from Power Wheels®) against defects in materials and workmanship. The six month limited warranty applies only to the 6 volt battery included by Power Wheels® with the original purchase of the vehicle.

This warranty covers normal use and does not cover the Power Wheels® vehicle or battery if it has been damaged by unreasonable use, neglect, accident, abuse, misuse, improper service or other causes not arising out of defects in materials or workmanship. Evidence of any attempt at consumer repair will void this warranty.

THIS WARRANTY DOES NOT COVER, AND IS INTENDED TO EXCLUDE, ANY LIABILITY ON THE PART OF POWER WHEELS®, WHETHER UNDER THIS WARRANTY OR IMPLIED BY LAW, FOR ANY INDIRECT OR CONSEQUENTIAL DAMAGES FOR BREACH OF WARRANTY. SOME STATES DO NOT ALLOW THE EXCLUSION OR LIMITATION, SO THIS LIMITATION MAY NOT APPLY TO YOU.

Should you need service or assistance with your vehicle during the warranty period, **do not return the vehicle to the store.** Power Wheels® has provided a nationwide network of authorized service centers. For the location of the authorized service center nearest you, please visit us on-line at [www.powerwheels.com](http://www.powerwheels.com) or call **1-800-348-0751**. Power Wheels® is continually expanding our Authorized Service Center Network. If there is not an authorized service center in your area, please call Consumer Relations for information, **1-800-348-0751**.

THIS WARRANTY GIVES YOU SPECIFIC LEGAL RIGHTS, AND YOU MAY ALSO HAVE OTHER RIGHTS WHICH MAY VARY FROM STATE TO STATE.

**PLEASE SAVE YOUR ORIGINAL SALES RECEIPT.**

**IMPORTANT!** If you experience a problem with your vehicle, first check the Problems and Solutions Guide below. If you still experience a problem, please contact Power Wheels® Consumer Relations, toll-free at **1-800-348-0751** between 8 AM and 6 PM (EST) Monday through Friday. Or, contact your local Power Wheels® authorized service center. For the location nearest you, please visit us on-line at [www.powerwheels.com](http://www.powerwheels.com), or call **1-800-348-0751**.

PROBLEM	POSSIBLE CAUSE	SOLUTION
Vehicle does not run	Undercharged battery	<p>Charge the battery. A new battery should have been charged for at least 18 hours before using the vehicle for the first time. After first-time use, recharge the battery for at least 14 hours after each use. Never charge the battery longer than 30 hours.</p> <p>Check all connectors. Make sure the battery connector is tightly plugged into the charger connector, and that the charger is plugged into the wall.</p> <p>Make sure power flow to the wall outlet is "ON".</p>
	Charger is not working	There is no sure way to tell if your charger is working unless you have a volt meter. If you suspect there is a problem with your charger, contact your local Power Wheels® authorized service center. They can test your charger for you.
	Tripped thermal fuse	The built-in thermal fuse may "trip" and shut down operation of the vehicle if the vehicle is overloaded or the driving conditions too severe. The fuse will automatically reset itself after approximately 25 seconds, allowing the vehicle to resume normal operation. To avoid repeated automatic shutdowns, do not overload the vehicle by exceeding the 50 lb maximum weight capacity or by towing anything behind the vehicle. Do not drive up hills or run into fixed objects, which can cause the wheels to stop spinning while power is still being supplied to the motors. If a thermal fuse continually trips, contact your local Power Wheels® authorized service center.
	Loose wire or loose connectors	Check all wires and connectors. Make sure the battery connector is tightly plugged into the motor harness connector and that there are no loose wires around the motors.
	Dead battery	If your battery is old or if you have not followed Battery Care instructions, your battery may be dead. If you are unsure whether or not the battery are dead, you can have it tested at your local Power Wheels® authorized service center.
	Electrical switch damage	The electrical switches can become corroded due to exposure to water or moisture, or can jam due to loose dirt, sand or gravel. Contact your local Power Wheels® authorized service center for diagnosis and repair.
	Motor damage	Contact your local Power Wheels® authorized service center for diagnosis and repair.
	Vehicle was running but suddenly stopped	Loose wire or loose connectors

PROBLEM	POSSIBLE CAUSE	SOLUTION
Vehicle was running but suddenly stopped (cont.)	Tripped thermal fuse	The built-in thermal fuse may "trip" and shut down operation of the vehicle if the vehicle is overloaded or the driving conditions too severe. The fuse will automatically reset itself after approximately 25 seconds, allowing the vehicle to resume normal operation. To avoid repeated automatic shutdowns, do not overload the vehicle by exceeding the 50 lb maximum weight capacity or by towing anything behind the vehicle. Do not drive up hills or run into fixed objects, which can cause the wheels to stop spinning while power is still being supplied to the motors. If a thermal fuse continually trips, contact your local Power Wheels® authorized service center.
Short run time (Less than 1 - 3 hours per charge)	Undercharged battery	Charge the battery. A new battery should have been charged for at least 18 hours before using the vehicle for the first time. After first-time use, recharge the battery for at least 14 hours after each use. Never charge the battery longer than 30 hours.
		Check all wires and connectors. Make sure the battery connector is tightly plugged into the charger connector, and that the charger is plugged into the wall.
		Make sure power flow to the wall outlet is "ON".
	Overcharged battery	Do not charge the battery longer than 30 hours. If you suspect that your battery is damaged as a result of overcharging, contact your local Power Wheels® authorized service center. They can test the battery for you.
	Battery is old and will not accept full charge	Even with proper care, a rechargeable battery does not last forever. Average battery life is 1 to 3 years depending on vehicle use and use conditions. Replace only with a Power Wheels® Type H 6 Volt battery with built-in thermal fuse. <b>Do not substitute parts.</b>
Vehicle runs sluggishly	Undercharged battery	Charge the battery. A new battery should have been charged for at least 18 hours before using the vehicle for the first time. After first-time use, recharge the battery for at least 14 hours after each use. Never charge the battery longer than 30 hours.
		Check all connectors. Make sure the battery connector is tightly plugged into the charger connector, and that the charger is plugged into the wall.
		Make sure power flow to the wall outlet is "ON".
	Battery needs charging	Be sure to charge the battery after each use.
	Battery is old and will not accept full charge	Even with proper care, a rechargeable battery does not last forever. Average battery life is 1 to 3 years depending on vehicle use and use conditions. Replace only with a Power Wheels® Type H 6 Volt battery with built-in thermal fuse. <b>Do not substitute parts.</b>

PROBLEM	POSSIBLE CAUSE	SOLUTION
Vehicle runs sluggishly (cont.)	Vehicle is overloaded	Make sure you do not overload the vehicle by allowing more than one rider at one time, exceeding the 50 lb. maximum weight capacity, or by towing objects behind the vehicle. If the vehicle is overloaded, the built-in thermal fuse in the battery may "trip", and automatically shut down operation of the for approximately 25 seconds. Adjust the driving conditions to prevent repeated automatic shutdowns.
	Driving conditions are too stressful	Use only on generally level ground.
Sometimes the vehicle doesn't run, but other times it does	Loose wire or connector	Check all wires around the motors and all connectors to make sure they are tight.
	Motor or electrical switch damage	Contact your local Power Wheels® authorized service center for diagnosis and repair.
When the foot pedal is pressed, the vehicle won't run without a push	Loose wire or connector	Check all wires around the motors and all connectors to make sure they are tight.
	"Dead Spot" on motor	Contact your local Power Wheels® authorized service center for diagnosis and repair.
Battery's thermal fuse constantly "trips", but the vehicle is not overloaded nor the driving conditions too severe	Damaged battery	Contact your local Power Wheels® authorized service center for diagnosis and repair.
	Child is switching between FORWARD and REVERSE without stopping	Teach your child to stop the vehicle before switching direction.
Loud clacking or grinding noise from a motor-gearbox	Broken gears	Contact your local Power Wheels® authorized service center for diagnosis and repair.
Charger gets warm during use	It is normal for some chargers to get warm during use and is not reason for concern. Some chargers do not get warm during use.	No action required.
		If your charger does not get warm during use, it does not mean that it is not working properly.
Battery makes a sizzling or gurgling noise when charging	It is normal for some batteries to make noise and swell slightly while charging and is not reason for concern.	No action required.
		If your battery does not make noise or swell slightly during charging, it does not mean that it is not accepting the charge.



**Before first-time use,  
you must charge the battery  
18 hours!**

Charge the battery immediately after each use.  
Charge the battery once a month, even if the vehicle  
is not used or stored.

**Do not return  
your vehicle to the store!**

We're a toll-free phone call away, and we can help.  
If you are missing parts or need assistance, please call:

**1-800-348-0751**

**8 am - 6 pm EST, Monday through Friday.**

Or contact your local **independently owned and operated**  
Power Wheels® Authorized Service Center.

For the location nearest you, visit us on-line at **[www.powerwheels.com](http://www.powerwheels.com)**.

Fisher-Price, Inc., a subsidiary of Mattel, Inc., East Aurora, New York 14052 U.S.A.

©2005 Mattel, Inc. All Rights Reserved.

Fisher-Price and Power Wheels by Fisher-Price are U.S. trademarks of Mattel, Inc.