

Fisher-Price®

J2527

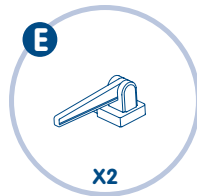
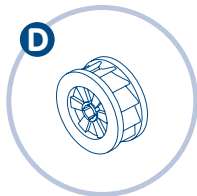
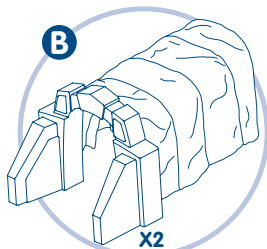
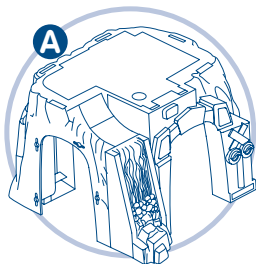
[www.fisher-price.com](http://www.fisher-price.com)



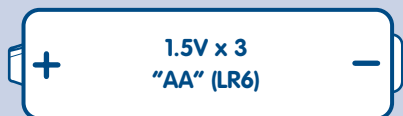
**GeoTrax**  
Rail & Road System

## Parts

- A. Tunnel Base
- B. 2 Fabric Tunnels
- C. Tunnel Top
- D. Water Wheel
- E. 2 Crossing Gates



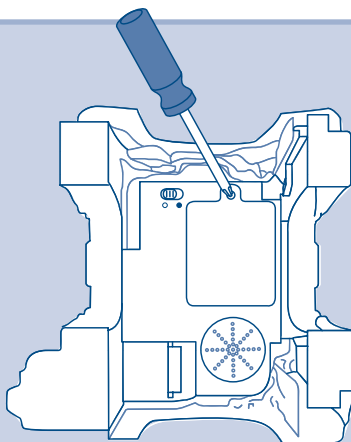
## Battery Installation



- Locate the battery compartment on the underside of the tunnel base.
- Loosen the screw in the battery compartment door with a Phillips screwdriver. Remove the battery compartment door.
- Insert three "AA" (LR6) alkaline batteries.

**We recommend the use of alkaline batteries for longer battery life.**

- Replace the battery compartment door and tighten the screw with a Phillips screwdriver. Do not over-tighten.
- When sounds or motions become faint or stop, it's time for an adult to change the batteries.



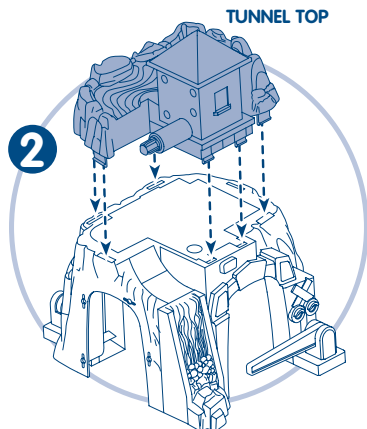
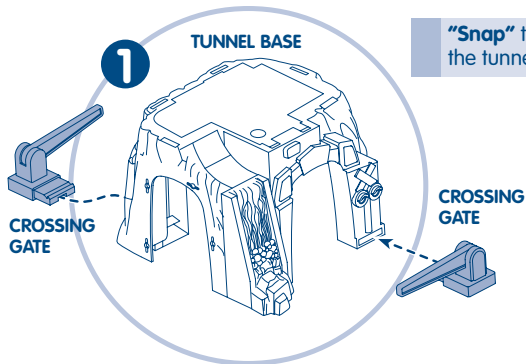
**BOTTOM VIEW**

## Battery Safety Information

In exceptional circumstances, batteries may leak fluids that can cause a chemical burn injury or ruin your toy. To avoid battery leakage:

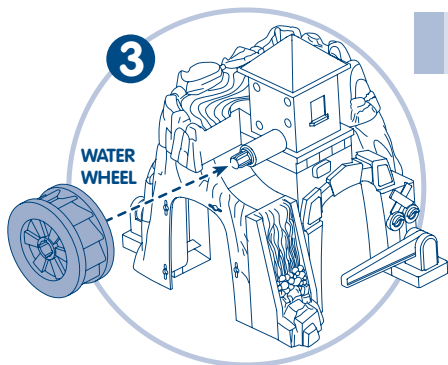
- Do not mix old and new batteries or batteries of different types: alkaline, standard (carbon-zinc) or rechargeable (nickel-cadmium).
- Insert batteries as indicated inside the battery compartment.
- Remove batteries during long periods of non-use. Always remove exhausted batteries from the toy. Dispose of batteries safely. Do not dispose of the product in a fire. The batteries inside may explode or leak.
- Never short-circuit the battery terminals.
- Use only batteries of the same or equivalent type, as recommended.
- Do not charge non-rechargeable batteries.
- Remove rechargeable batteries from the toy before charging.
- If removable, rechargeable batteries are used, they are only to be charged under adult supervision.

## Assembly



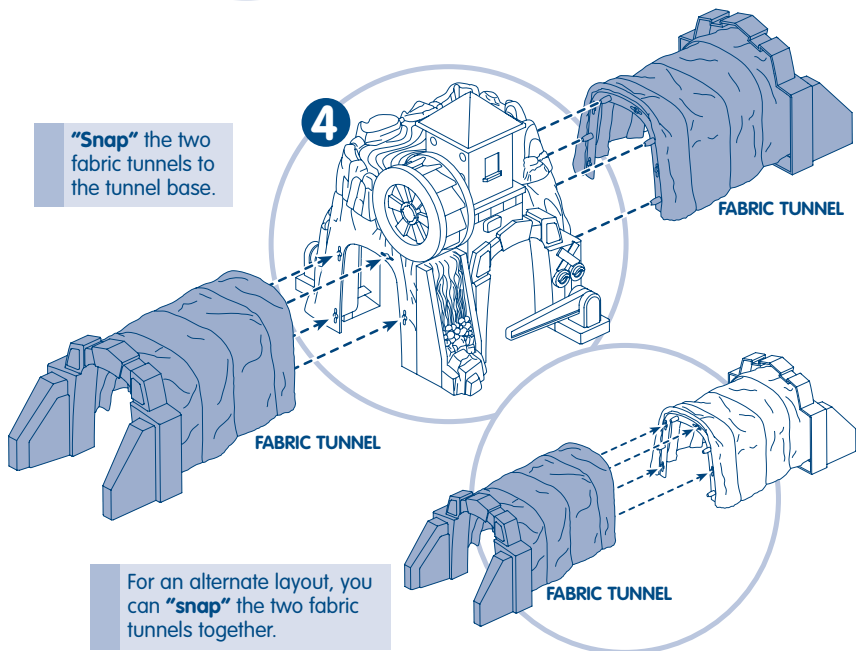
# Assembly

3



"Snap" the water wheel to the tunnel top.

4

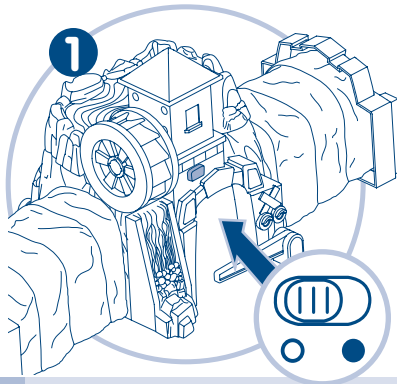


"Snap" the two fabric tunnels to the tunnel base.

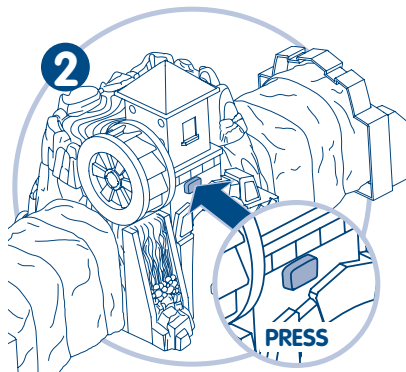
For an alternate layout, you can "snap" the two fabric tunnels together.

FABRIC TUNNEL

# A Spinning Wheel and Fun Sounds!



- Locate the power switch.
- Slide the switch to the ● position to turn the toy on and the 0 position to turn the toy off.



Press the action button to turn on the tunnel.



Drive your engine through the tunnel. GeoMotion™ makes the water wheel spin along with fun sound effects.

GeoTrax® RC vehicle, track and play pieces sold separately and subject to availability.

## Hints:

- If the a train does not pass through the tunnel in a few minutes, the tunnel turns off automatically. Press the action button again to turn the tower back on.
- The tunnel's GeoMotion™ and sound features are activated by contrast in lighting. This feature may not work if the toy is in very bright light or direct sunlight.  
**Please keep the tunnel out of bright light or direct sunlight.**

# So Many Ways to Set It Up!



## Visit [www.fisher-price.com](http://www.fisher-price.com) to see the entire world of GeoTrax® accessories!

Please keep this instruction sheet for future reference,  
as it contains important information.

Requires three "AA" (LR6) **alkaline** batteries (not included).

Adult assembly is required.

Tool required for battery installation: Phillips screwdriver (not included).

Visit us on-line at [www.service.fisher-price.com](http://www.service.fisher-price.com).

Call Fisher-Price® Consumer Relations, toll-free at 1-800-432-5437,  
8 AM - 6 PM EST Monday through Friday. Hearing-impaired  
consumers using TTY/TDD equipment, please call 1-800-382-7470.

Write to us at:

Fisher-Price® Consumer Relations  
636 Girard Avenue, East Aurora, New York 14052

### For countries outside the United States:

**CANADA: Questions? 1-800-432-5437.** Mattel Canada Inc., 6155 Freemont Blvd., Mississauga, Ontario L5R 3W2;  
[www.service.mattel.com](http://www.service.mattel.com).

**GREAT BRITAIN:** [Mattel UK Ltd, Vanwall Business Park, Maidenhead SL6 4UB.](http://www.service.mattel.com)  
Helpline: 01628 500303; [www.service.mattel.com/uk](http://www.service.mattel.com/uk).

**AUSTRALIA:** Mattel Australia Pty. Ltd., 658 Church Street, Locked Bag #870, Richmond, Victoria 3121 Australia.  
Consumer Advisory Service 1300 135 312.

**NEW ZEALAND:** 16-18 William Pickering Drive, Albany 1331, Auckland.

**ASIA:** Mattel East Asia Ltd, Room 1106, South Tower, World Finance Centre, Harbour City, Tsimshatsui, HK, China.

Fisher-Price, Inc., a subsidiary of Mattel, Inc., East Aurora, NY 14052 U.S.A.

©2005 Mattel, Inc. All Right Reserved. ® and ™ designate U.S. trademarks of Mattel, Inc.