



www.fisher-price.com



GeoTrax

Rail & Road System

Water Works Fill Co.

Parts

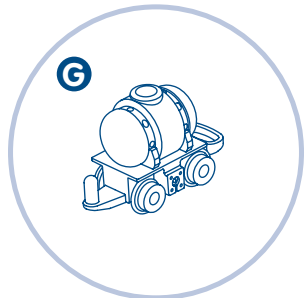
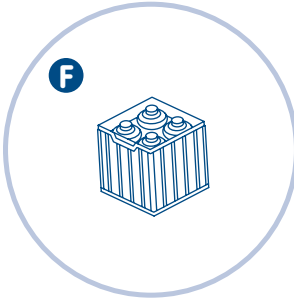
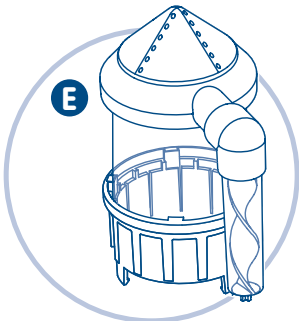
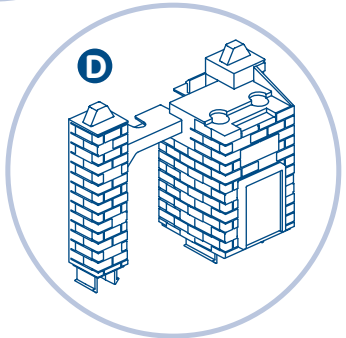
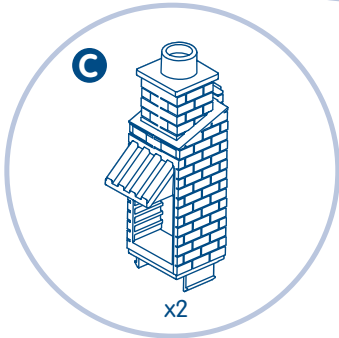
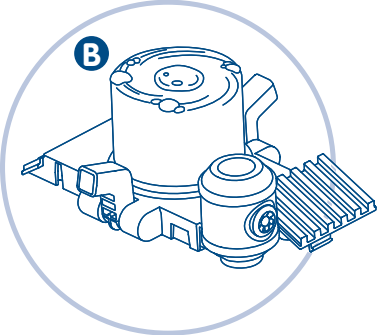
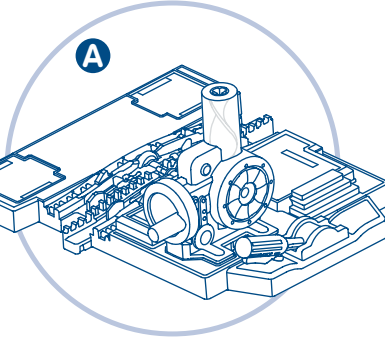
- A. Base
- B. Roof
- C. 2 Pillars
- D. Wall
- E. Tower
- F. Crate
- G. Tanker Car

Please keep this instruction sheet for future reference, as it contains important information.

Adult assembly is required.

No tools needed for assembly.

Wipe this toy with a clean, damp cloth.



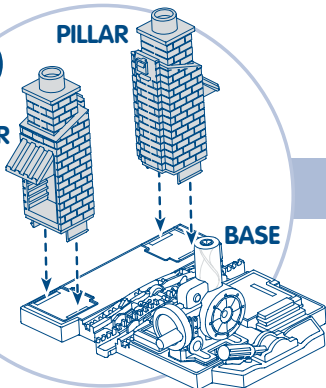
Assembly

1

PILLAR

PILLAR

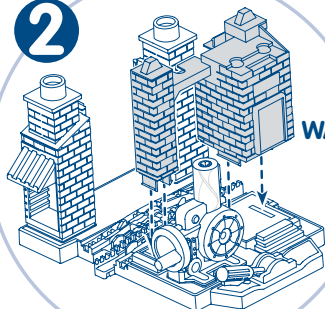
BASE



- “Snap” the two pillars to the base.

2

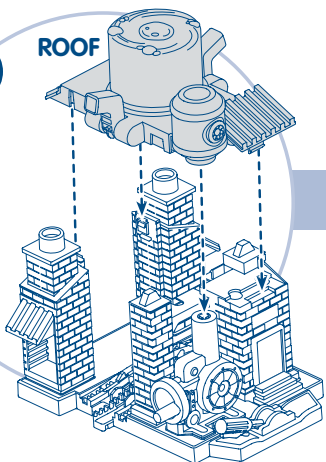
WALL



- “Snap” the wall to the base.

3

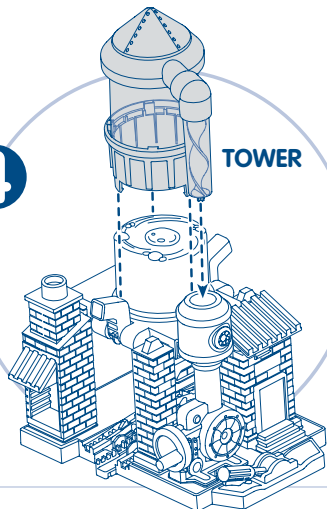
ROOF



- “Snap” the roof to the wall and pillars.

4

TOWER



- “Snap” the tower to the roof.
Assembly is now complete.

Overflowing with Fun Action!



Turn the crank and the tower seems to "fill" with water.



Press the spout to "empty" the tower.

The Magic of GeoMotion™!



Flip the GeoMotion™ switch.



Use your remote controller to drive your RC engine to the tower.



GeoMotion™ makes the water tower "fill up"!

The more you collect, the more fun it gets!



Multiple track packs used to create this configuration.
Each sold separately & subject to availability.



Fisher-Price®

GeoTrax™
Rail & Road System

Visit www.fisher-price.com
to see the entire world of
GeoTrax® accessories!

Visit us on-line at www.service.fisher-price.com.

Call Fisher-Price® Consumer Relations, toll-free at **1-800-432-5437**,
8 AM - 6 PM EST Monday through Friday. Hearing-impaired
consumers using TTY/TDD equipment, please call 1-800-382-7470.

Write to us at:

Fisher-Price® Consumer Relations
636 Girard Avenue, East Aurora, New York 14052

For countries outside the United States:

CANADA: Questions? **1-800-432-5437**. Mattel Canada Inc., 6155 Freemont Blvd.,
Mississauga, Ontario L5R 3W2; www.service.mattel.com.

GREAT BRITAIN: [Mattel UK Ltd, Vanwall Business Park, Maidenhead SL6 4UB](http://MattelUKLtd.VanwallBusinessPark.MaidenheadSL64UB). Helpline: 01628 500303; www.service.mattel.com/uk.

AUSTRALIA: Mattel Australia Pty. Ltd., 658 Church Street, Locked Bag #870, Richmond, Victoria 3121 Australia.
Consumer Advisory Service 1300 135 312.

NEW ZEALAND: 16-18 William Pickering Drive, Albany 1331, Auckland.

ASIA: Mattel East Asia Ltd, Room 1106, South Tower, World Finance Centre, Harbour City, Tsimshatsui, HK, China.