

Parts

- A. 8 Straight Tracks
- B. 4 Curved Tracks
- C. 3 Support Tops
- D. 2 Upper Ramps
- E. 2 Lower Ramps
- F. 6 Support Columns
- G. 2 Guardrails
- H. #4 x 1/2" Screw – 4

Parts Not Shown

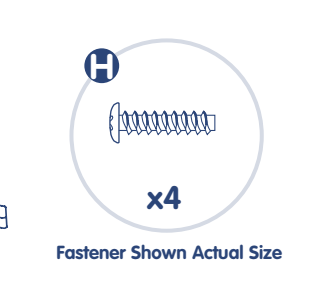
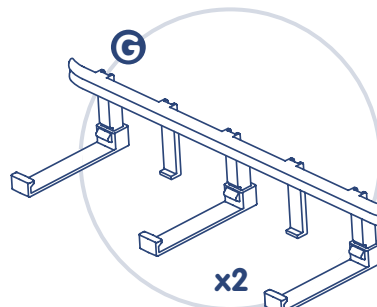
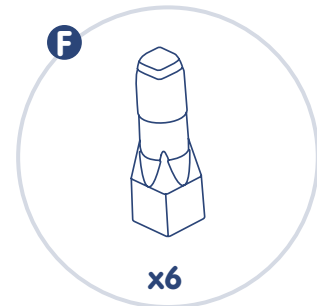
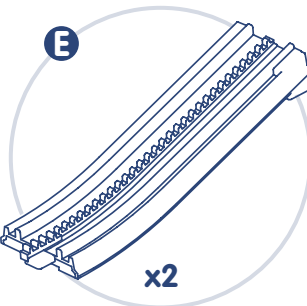
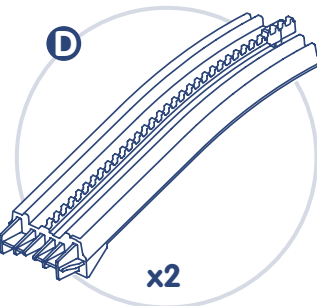
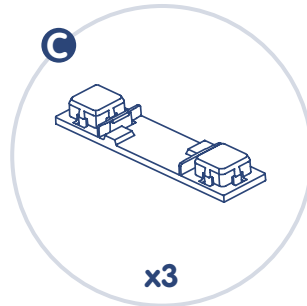
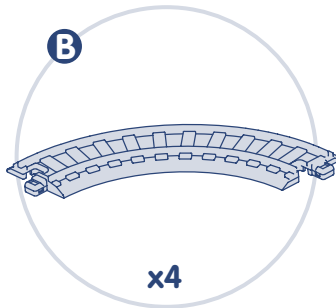
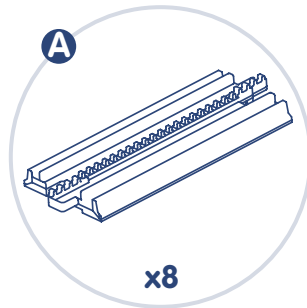
- 4 Signs
- Tree
- Push Engine

Please keep this instruction sheet for future reference, as it contains important information.

Adult assembly is required.
Tool required for assembly:
Phillips screw-driver
(not included).

⚠ WARNING

This product contains small parts in its unassembled state.
Adult assembly is required.



Fastener Shown Actual Size

Fisher-Price®
GeoTrax™
Rail & Road System

Visit www.fisher-price.com
to see the entire world of
GeoTrax® accessories!

Visit us on line at www.service.fisher-price.com.

Call Fisher-Price® Consumer Relations, toll-free at **1-800-432-5437**,
8 AM - 6 PM EST Monday through Friday. Hearing-impaired consumers
using TTY/TDD equipment, please call 1-800-382-7470.

Write to us at: Fisher-Price® Consumer Relations,
636 Girard Avenue, East Aurora, New York 14052.

Wipe the toy with a clean damp cloth.

For other countries outside the United States:

Canada: Questions? 1-800-432-5437. Mattel Canada Inc., 6155 Freemont Blvd., Mississauga, Ontario L5R 3W2; www.service.mattel.com.

Great Britain: Mattel UK Ltd, Varwall Business Park, Maidenhead SL6 4UB. Helpline: 01628 500303. www.service.mattel.com/uk.

AUSTRALIA: Mattel Australia Pty. Ltd., 658 Church Street, Locked Bag #870, Richmond, Victoria 3121 Australia.

Consumer Advisory Service 1300 135 312.

New Zealand: 16-18 William Pickering Drive, Albany 1331, Auckland.

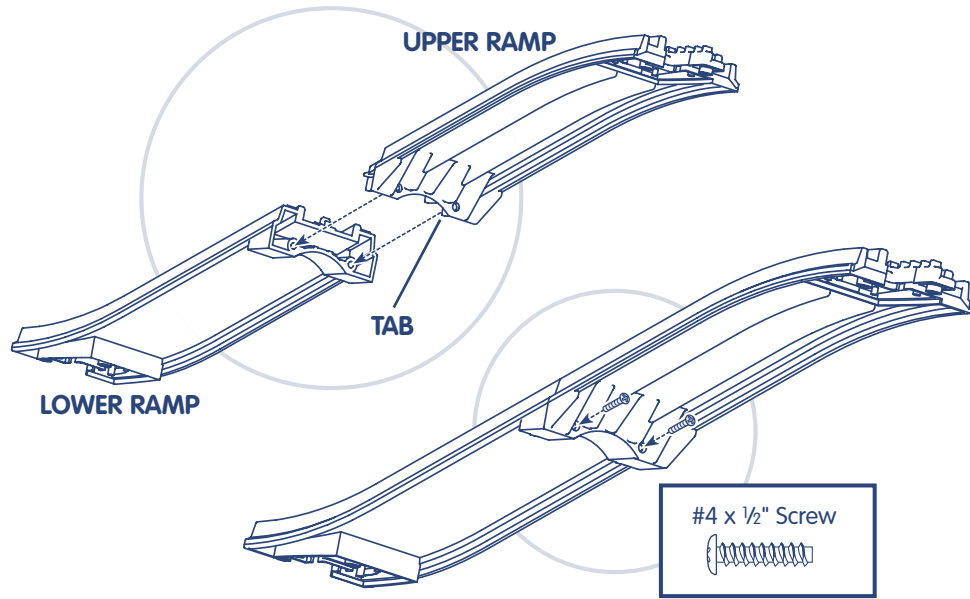
ASIA: Mattel East Asia Ltd, Room 1106, South Tower, World Finance Centre, Harbour City, Tsimshatsui, HK, China.

Fisher-Price®

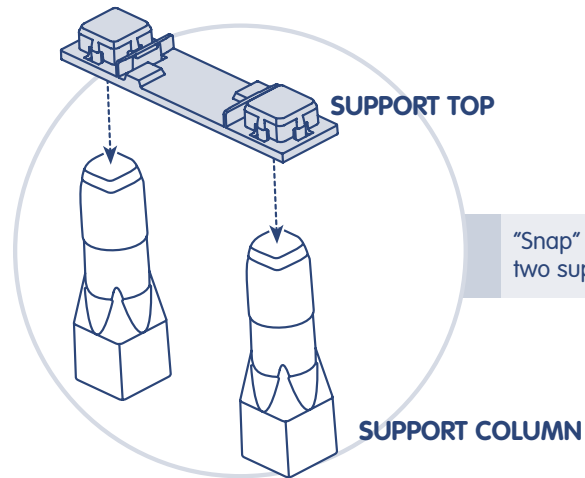
www.fisher-price.com

GeoTrax™
Rail & Road System

Assembly

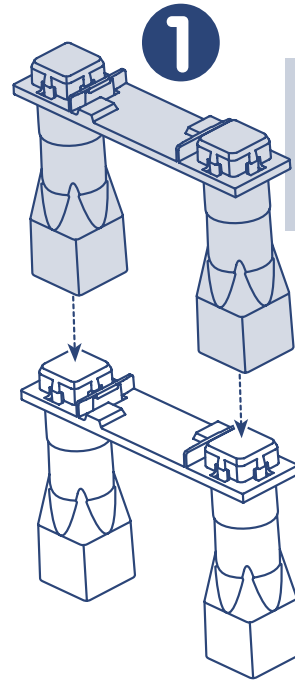


- Fit the tabs on an upper ramp into the slots in a lower ramp.
- Insert two screws into the upper ramp. Tighten the screws with a Phillips screwdriver. Do not over-tighten.
- Repeat this procedure to build the other upper/lower ramp assembly.

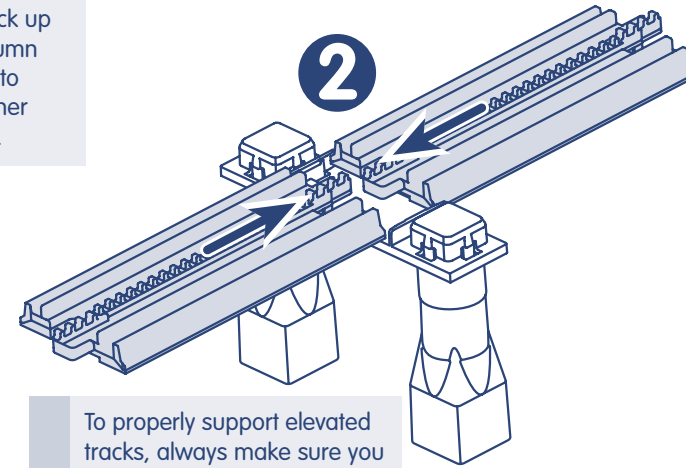


"Snap" a support top onto two support columns.

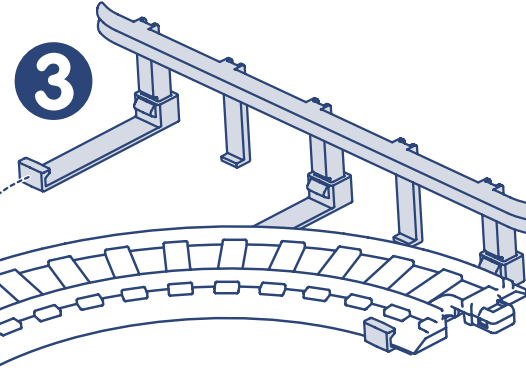
Elevation Track Tips



You can stack up support column assemblies to make a higher track layout.



To properly support elevated tracks, always make sure you have support columns under track connections.



- When using a curved track at the bottom of a ramp assembly, be sure to use a guardrail on the curve. This keeps the fast moving train on the track!
- To attach the guardrail, fit a tab on one end of the guardrail under the curved track, as shown.
- Bend the guardrail slightly to fit the other two tabs to the curved track.

The more you collect, the more fun it gets!



Multiple track packs used to create this configuration. Each sold separately & subject to availability.