

Fisher-Price®

K9702



Animal babies sold separately
and subject to availability.

Snuggle-Kins™

www.fisher-price.com

Parts



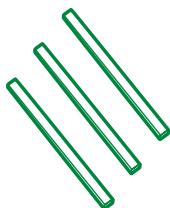
Seat



Tray



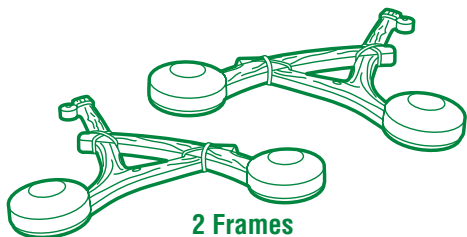
Front Brace



3 Supports



Handle



2 Frames



**#6 x 1/2" Screw - 8
Shown Actual Size**

Note: Tighten or loosen all screws with a Phillips screwdriver. Do not over-tighten the screws.

Consumer Information

- Please keep this instruction sheet for future reference, as it contains important information.
- Adult assembly is required.
- Requires three "AA" (LR6) **alkaline** batteries (not included).
- Tool required for assembly: Phillips screwdriver (not included).

Visit us on line at
www.service.fisher-price.com

Call Fisher-Price® Consumer Relations, toll-free at **1-800-432-5437**, 9 AM - 7 PM Monday through Friday and 11 AM - 5 PM Saturday. Hearing-impaired consumers using TTY/TDD equipment, please call 1-800-382-7470. Write to us at: Fisher-Price® Consumer Relations, 636 Girard Avenue, East Aurora, New York 14052.

For countries outside the United States:

CANADA Questions? 1-800-432-5437. Mattel Canada Inc., 6155 Freemont Blvd., Mississauga, Ontario L5R 3W2; www.service.mattel.com.

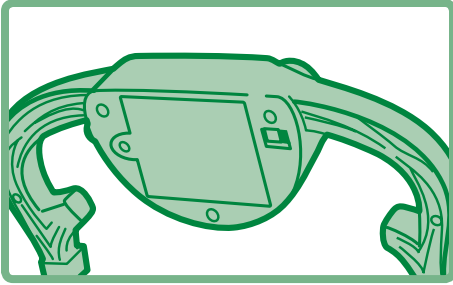
GREAT BRITAIN: [Mattel UK Ltd., Vanwall Business Park, Maidenhead SL6 4UB. Helpline: 01628 500303; www.service.mattel.com/uk.](http://www.service.mattel.com/uk)

AUSTRALIA: Mattel Australia Pty. Ltd., 658 Church Street, Locked Bag #870, Richmond, Victoria 3121 Australia. Consumer Advisory Service 1300 135 312.

NEW ZEALAND: 16-18 William Pickering Drive, Albany 1331, Auckland.

ASIA: Mattel East Asia Ltd, Room 1106, South Tower, World Finance Centre, Harbour City, Tsimshatsui, HK, China.

Battery Installation

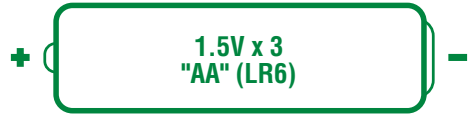


- Locate the battery compartment on the handle.
 - Loosen the screw in the battery compartment door with a Phillips screwdriver. Remove the battery compartment door.
 - Insert three "AA" (LR6) **alkaline** batteries, as indicated inside the battery compartment.
- Hint:** We recommend using **alkaline** batteries for longer battery life.
- Replace the battery compartment door and tighten the screw.
 - When sounds become faint or stop, it's time for an adult to change the batteries!



- Protect the environment by not disposing of this product with household waste (2002/96/EC). Check your local authority for recycling advice and facilities (Europe only).

Battery Safety Information



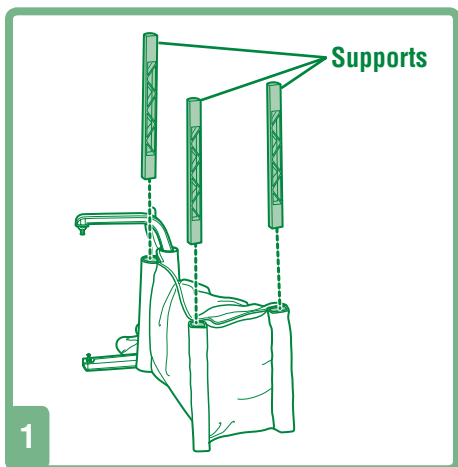
In exceptional circumstances, batteries may leak fluids that can cause a chemical burn injury or ruin your product. To avoid battery leakage:

- Do not mix old and new batteries or batteries of different types: alkaline, standard (carbon-zinc) or rechargeable (nickel-cadmium).
- Insert batteries as indicated inside the battery compartment.
- Remove batteries during long periods of non-use. Always remove exhausted batteries from the product. Dispose of batteries safely. Do not dispose of this product in a fire. The batteries inside may explode or leak.
- Never short-circuit the battery terminals.
- Use only batteries of the same or equivalent type, as recommended.
- Do not charge non-rechargeable batteries.
- Remove rechargeable batteries from the product before charging.
- If removable, rechargeable batteries are used, they are only to be charged under adult supervision.

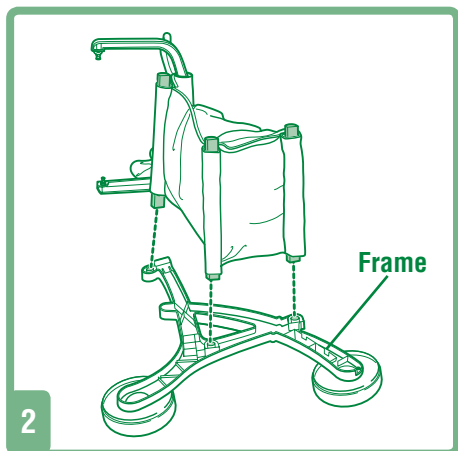
Assembly

⚠ CAUTION

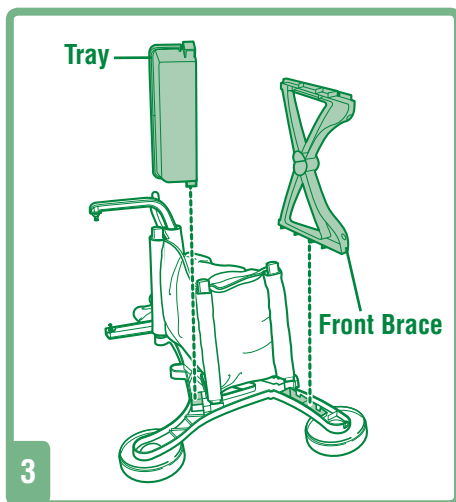
This package contains small parts. For adult assembly only.



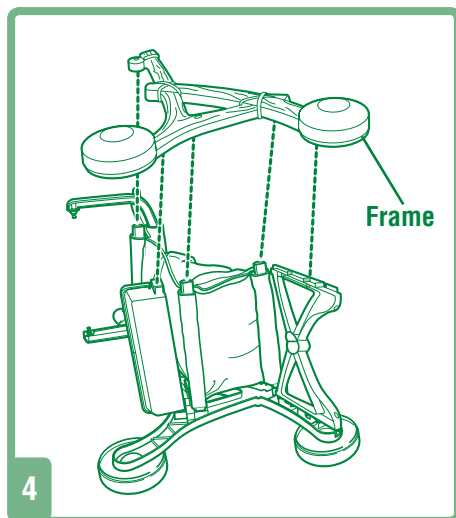
- Slide the three supports into the tunnels in the seat, as shown.



- Position a frame on a flat surface.
- Fit the ends of the supports into the openings in the frame.

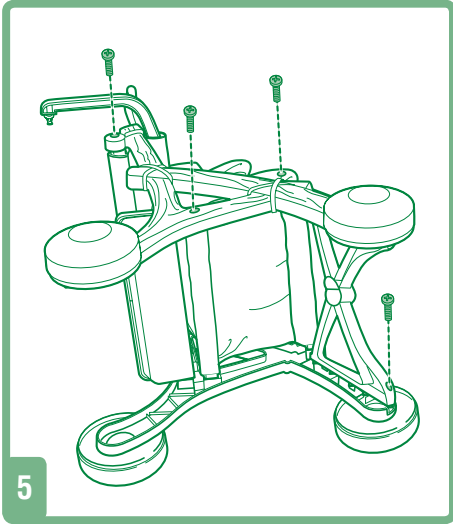


- Fit the tray and front brace into the slots in the frame.

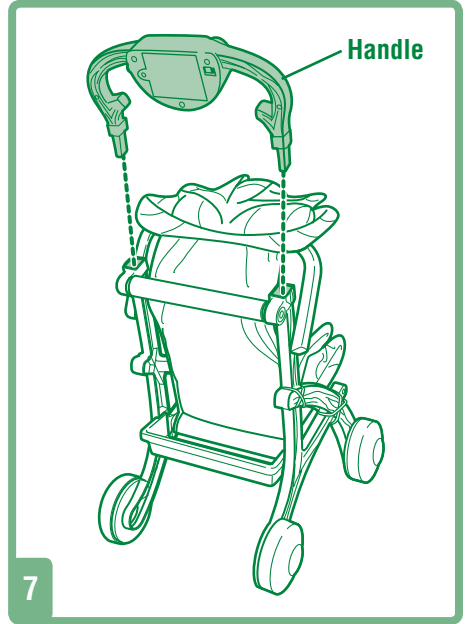


- Fit the remaining frame onto the supports, tray and front brace.

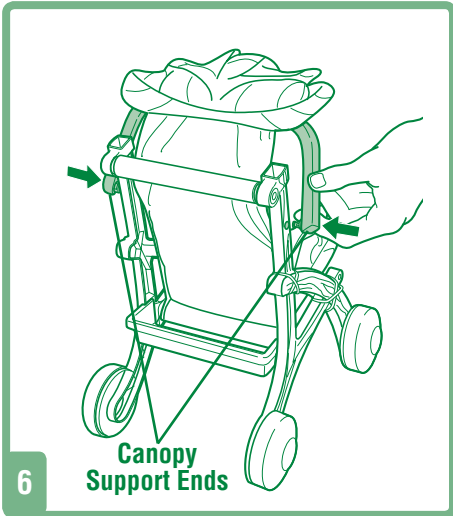
Assembly



- 5
- Insert four screws into the frame and front base and tighten.
 - While holding the stroller together, turn it over. Insert the four remaining screws into the frame on the other side and tighten.



- 7
- **"Snap"** the handle into the slots in the top of the stroller.



- 6
- Turn the stroller upright.
 - **"Snap"** the ends of the canopy support into each side of the stroller.

Take "Baby" for a Stroll!

FCC Statement



- FOR DOLL ONLY. NOT INTENDED FOR CHILD USE.
- Slide the power switch on the handle on ● .
- Push the heart button to hear fun tunes.
- When you are finished playing with this toy, slide the power switch off ○ .

United States Only

This equipment has been tested and found to comply with the limits for a Class B digital device, pursuant to Part 15 of the FCC Rules. These limits are designed to provide reasonable protection against harmful interference in a residential installation. This equipment generates, uses and can radiate radio frequency energy and, if not installed and used in accordance with the instructions, may cause harmful interference to radio communications. However, there is no guarantee that interference will not occur in a particular installation. If this equipment does cause harmful interference to radio or television reception, which can be determined by turning the equipment off and on, the user is encouraged to try to correct the interference by one or more of the following measures:

- Reorient or relocate the receiving antenna.
- Increase the separation between the equipment and receiver.
- Consult the dealer or an experienced radio/TV technician for help.

Note: Changes or modifications not expressly approved by the manufacturer responsible for compliance could void the user's authority to operate the equipment.

Care

- Wipe with a clean cloth dampened with a mild soap and water solution. Do not immerse.