

Fisher-Price®

L5889

www.fisher-price.com



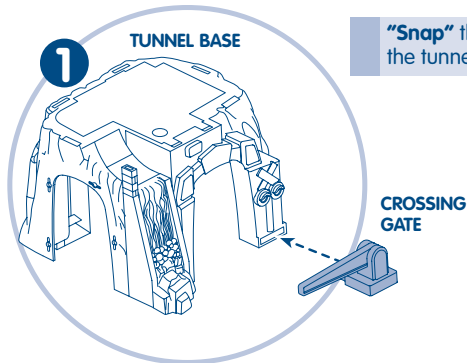
GeoTrax
Rail & Road System

Battery Safety Information

In exceptional circumstances, batteries may leak fluids that can cause a chemical burn injury or ruin your toy. To avoid battery leakage:

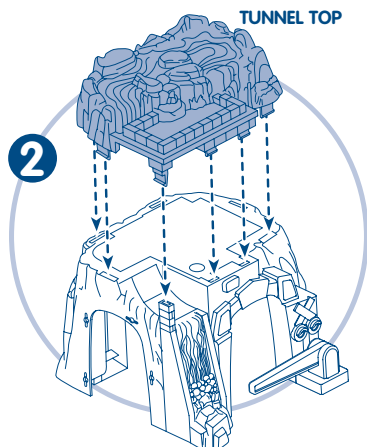
- Do not mix old and new batteries or batteries of different types: alkaline, standard (carbon-zinc) or rechargeable (nickel-cadmium).
- Insert batteries as indicated inside the battery compartment.
- Remove batteries during long periods of non-use. Always remove exhausted batteries from the toy. Dispose of batteries safely. Do not dispose of the product in a fire. The batteries inside may explode or leak.
- Never short-circuit the battery terminals.
- Use only batteries of the same or equivalent type, as recommended.
- Do not charge non-rechargeable batteries.
- Remove rechargeable batteries from the toy before charging.
- If removable, rechargeable batteries are used, they are only to be charged under adult supervision.

Assembly



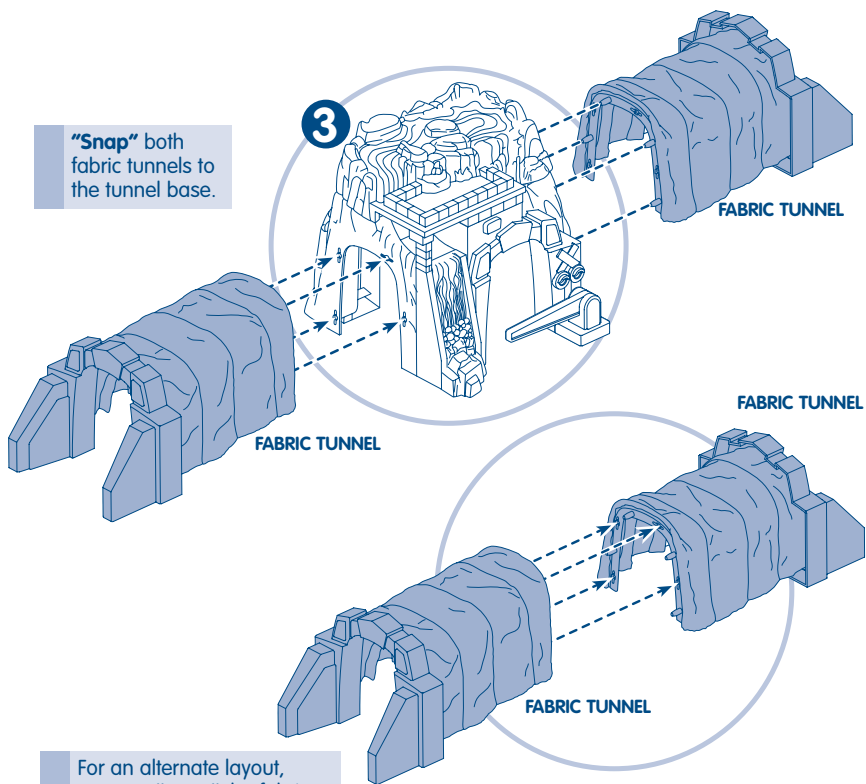
"Snap" the crossing gate into the tunnel base.

"Snap" the tunnel top to the tunnel base.



Assembly

“Snap” both fabric tunnels to the tunnel base.



For an alternate layout, you can “snap” the fabric tunnels together.

Care

- Wipe with a clean cloth dampened with a mild soap and water solution. Do not immerse.
- This product has no consumer serviceable parts. Do not take this toy apart.

Fun Sounds!



- Locate the power switch inside the tunnel. Slide the switch to ● On or ○ Off.
- Press the action button to turn on the tunnel.



Drive your engine through the tunnel for fun sound effects.

GeoTrax[®] RC vehicle, track and play pieces sold separately and subject to availability.

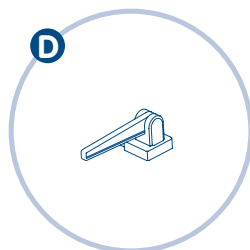
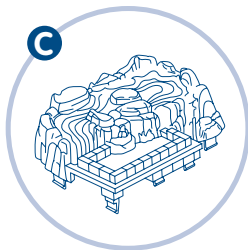
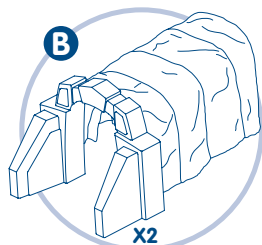
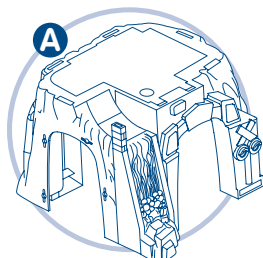
Hints:

- If the train does not pass through the tunnel after a few minutes, the tunnel turns off automatically. Press the action button again to turn the tunnel back on.
- The tunnel's sound feature is activated by contrast in lighting. This feature may not work if the toy is in very bright light or direct sunlight. **Please keep the tunnel out of bright light or direct sunlight.**

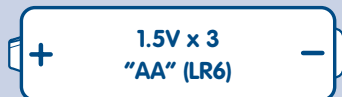
Parts

- A. Tunnel Base
- B. 2 Fabric Tunnels
- C. Tunnel Top
- D. Crossing Gate

Part not shown: 1 Figure



Battery Installation



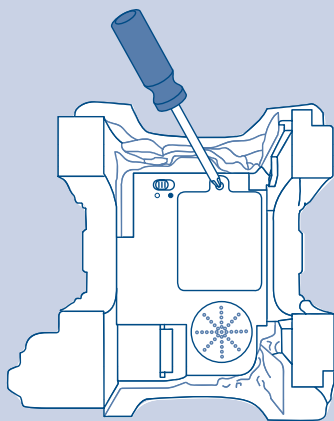
- Locate the battery compartment on the under-side of the tunnel base.
- Loosen the screw in the battery compartment door with a Phillips screwdriver. Remove the battery compartment door.
- Insert three "AA" (LR6) **alkaline** batteries.

Hint: We recommend the use of **alkaline** batteries for longer battery life.

- Replace the battery compartment door and tighten the screw with a Phillips screwdriver. Do not over-tighten.
- When sounds or motions become faint or stop, it's time for an adult to change the batteries.

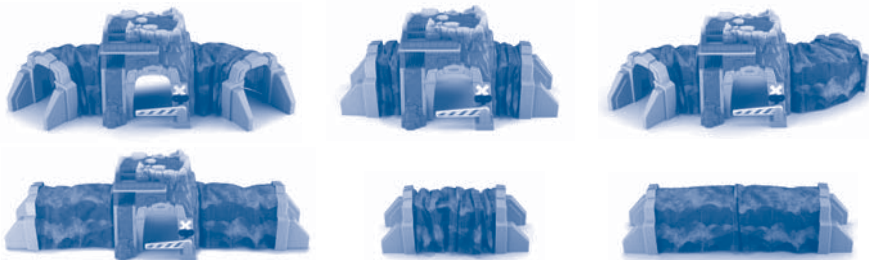


- Protect the environment by not disposing of this product with household waste (2002/96/EC). Check your local authority for recycling advice and facilities (Europe only).



BOTTOM VIEW

So Many Ways to Set It Up!



Visit www.fisher-price.com
to see the entire world of GeoTrax® accessories!

Please keep this instruction sheet for future reference,
as it contains important information.

Requires three "AA" (LR6) **alkaline** batteries (not included).

Adult assembly is required.

Tool required for battery installation: Phillips screwdriver (not included).



CONSUMER ASSISTANCE

Call toll free: 1-800-432-5437 (US & Canada only)
M-F 9AM to 7PM / SAT 11AM to 5PM (EST)

service.fisher-price.com

Write to us at: Fisher-Price® Consumer Relations,
636 Girard Avenue, East Aurora, New York 14052.

Hearing-impaired consumers using TTY/TDD equipment,
please call 1-800-382-7470.

For countries outside the United States:

Canada: Mattel Canada Inc., 6155 Freemont Blvd.,
Mississauga, Ontario L5R 3W2; www.service.mattel.com.

Great Britain: [Mattel UK Ltd, Vanwall Business Park,
Maidenhead SL6 4UB, Helpline: 01628 500303,
www.service.mattel.com/uk](http://www.service.mattel.com/uk)

Australia: Mattel Australia Pty, Ltd., 658 Church Street,
Locked Bag #870, Richmond, Victoria 3121 Australia,
Consumer Advisory Service 1300 135 312.

New Zealand: 16-18 William Pickering Drive,
Albany 1331, Auckland.

Asia: Mattel East Asia Ltd, Room 1106, South Tower,
World Finance Centre, Harbour City, Tsimshatsui, HK, China.