

Fisher-Price®

L5891

www.fisher-price.com

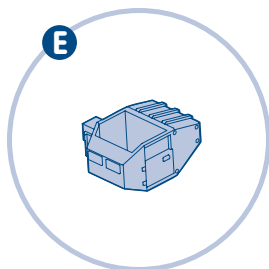
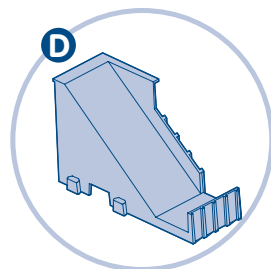
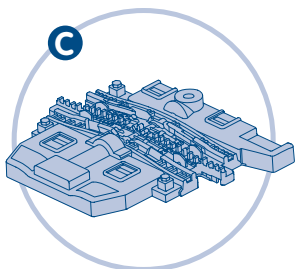
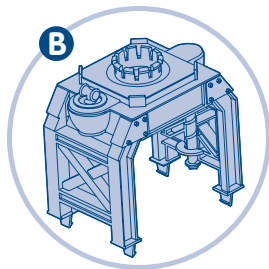
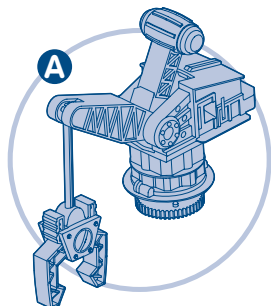


GeoTrax
Rail & Road System

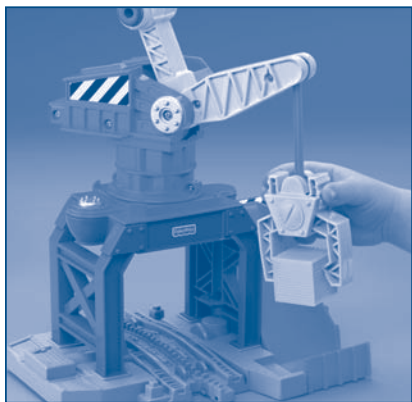
Parts

- A. Crane
- B. Arch
- C. Base
- D. Chute
- E. Cab

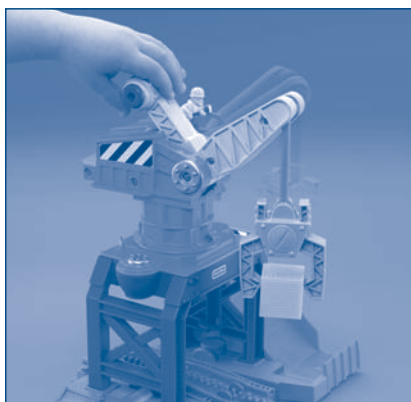
Part not shown: 1 Figure and 2 Crates



Lots of Lifting and Loading!

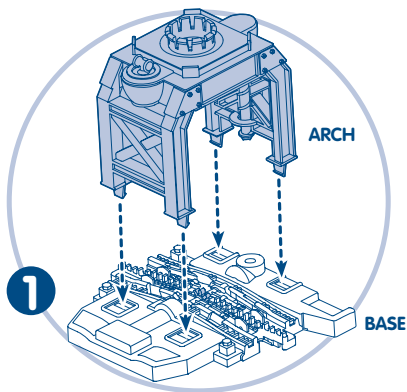


- Squeeze the crane to pick up your cargo.



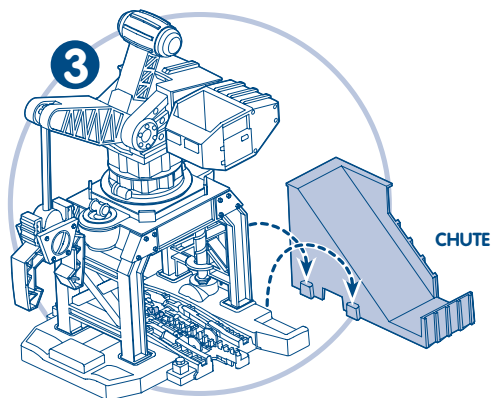
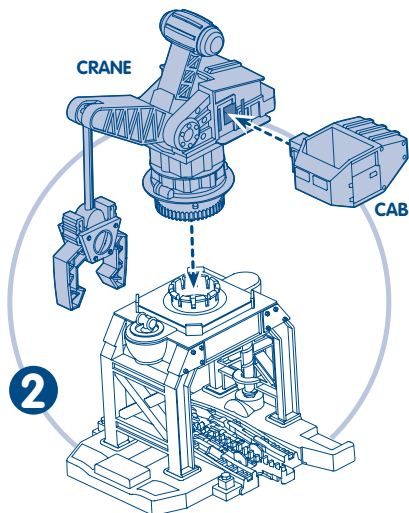
- Lift the crane handle and rotate to move the cargo.

Assembly



- “Snap” the arch into the base.

- Press firmly to “snap” the crane into the arch.
- “Snap” the cab into the crane.



- Set the crane assembly grooves onto the tabs of the chute, as shown.

Assembly is now complete.

Fisher-Price®



Visit www.fisher-price.com to see
the entire world of GeoTrax® accessories!

Please keep this instruction sheet for future reference,
as it contains important information.

Adult assembly is required.

No tools needed for assembly.

Wipe the toy with a clean, damp cloth.



CONSUMER ASSISTANCE

Call toll free: 1-800-432-5437 (US & Canada only)
M-F 9AM to 7PM / SAT 11AM to 5PM (EST)

service.fisher-price.com

Write to us at: Fisher-Price® Consumer Relations,
636 Girard Avenue, East Aurora, New York 14052.

Hearing-impaired consumers using TTY/TDD equipment,
please call 1-800-382-7470.

For countries outside the United States:

Canada: Mattel Canada Inc., 6155 Freemont Blvd.,
Mississauga, Ontario L5R 3W2; www.service.mattel.com.

Great Britain: [Mattel UK Ltd, Vanwall Business Park,
Maidenhead SL6 4UB. Helpline: 01628 500303,
www.service.mattel.com/uk](http://www.service.mattel.com/uk)

Australia: Mattel Australia Pty. Ltd., 658 Church Street,
Locked Bag #870, Richmond, Victoria 3121 Australia.
Consumer Advisory Service 1300 135 312.

New Zealand: 16-18 William Pickering Drive,
Albany 1331, Auckland.

Asia: Mattel East Asia Ltd, Room 1106, South Tower,
World Finance Centre, Harbour City, Tsimshatsui, HK, China.