



4+



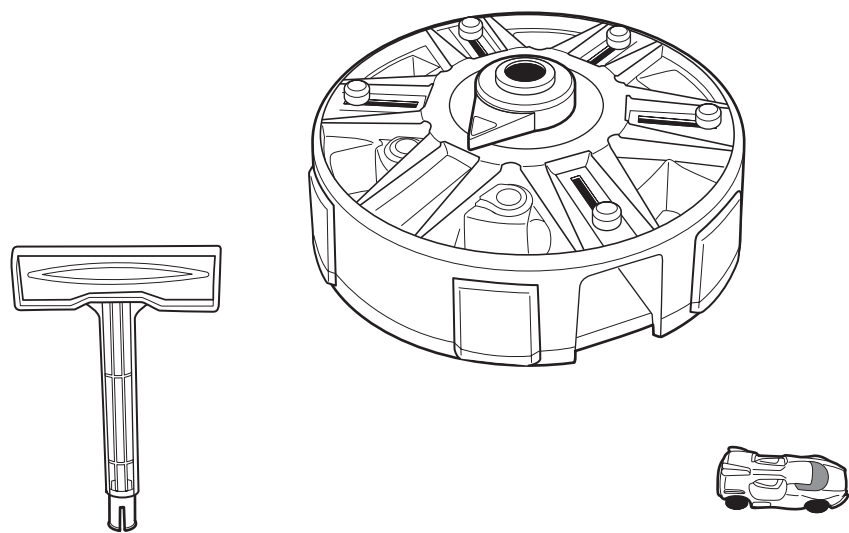
L8974-0920

DYNAMITE BLASTER™ LAUNCHER

INSTRUCTIONS

Please keep these instructions for future reference as they contain important information.

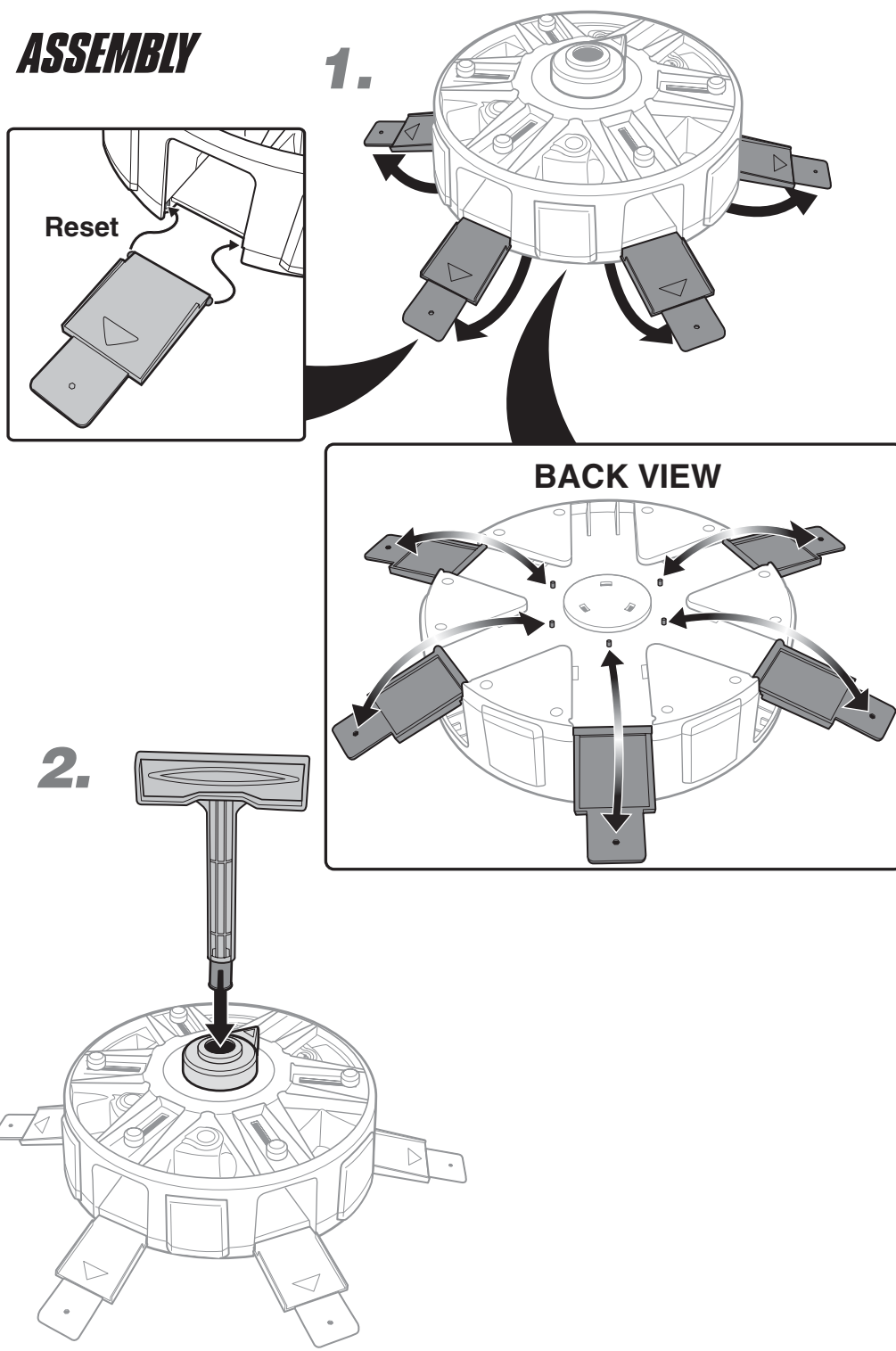
CONTENTS



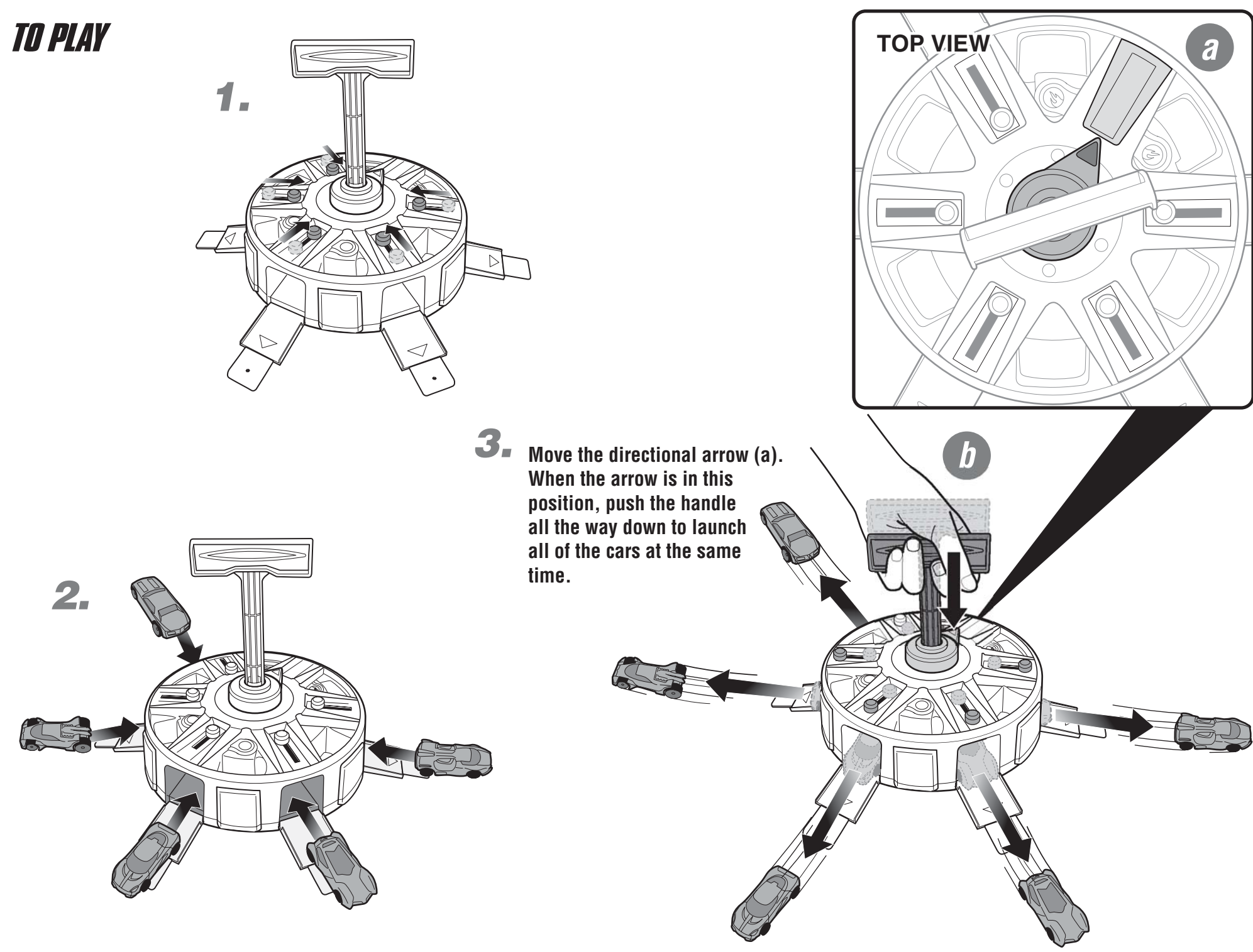
© 2007 Mattel, Inc. All Rights Reserved.

Mattel, Inc., 333 Continental Blvd., El Segundo, CA 90245 U.S.A. Consumer Relations 1 (800) 524-8697 service.mattel.com • Mattel Canada Inc., Mississauga, Ontario L5R 3W2. You may call us free at 1-800-524-8697. • Mattel U.K. Ltd., Vanwall Business Park, Maidenhead SL6 4UB. Helpline 01628500303 • Mattel Australia Pty., Ltd., Richmond, Victoria, 3121. Consumer Advisory Service - 1300 135 312. • Mattel East Asia Ltd., Room 1106, South Tower, World Finance Centre, Harbour City, Tsimshatsui, HK, China. • Diimport & Diedarkan Oleh: Mattel SEA Ptd Ltd.(993532-P) Lot 13.5, 13th Floor, Menara Lien Hoe, Persiaran Tropicana Golf Country Resort, 47410 PJ. Tel:03-78803817, Fax:03-78803867.

ASSEMBLY

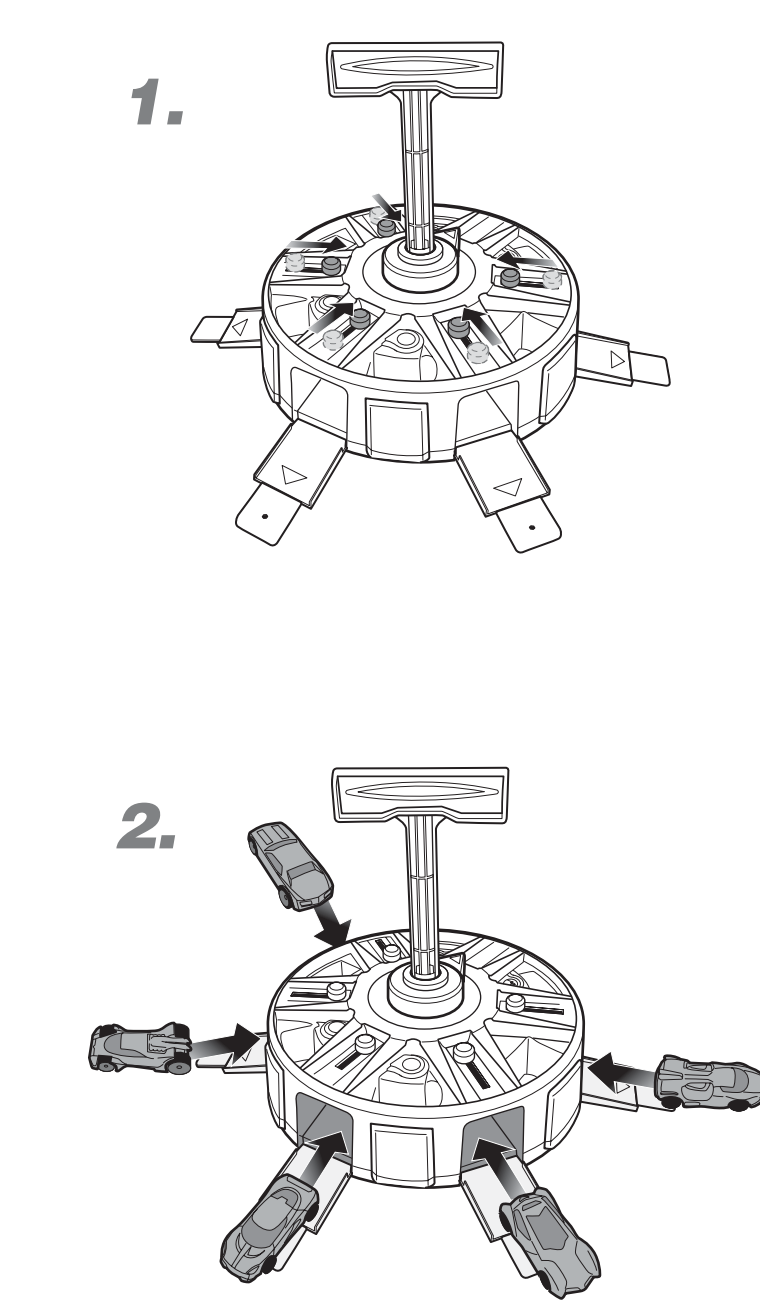


TO PLAY

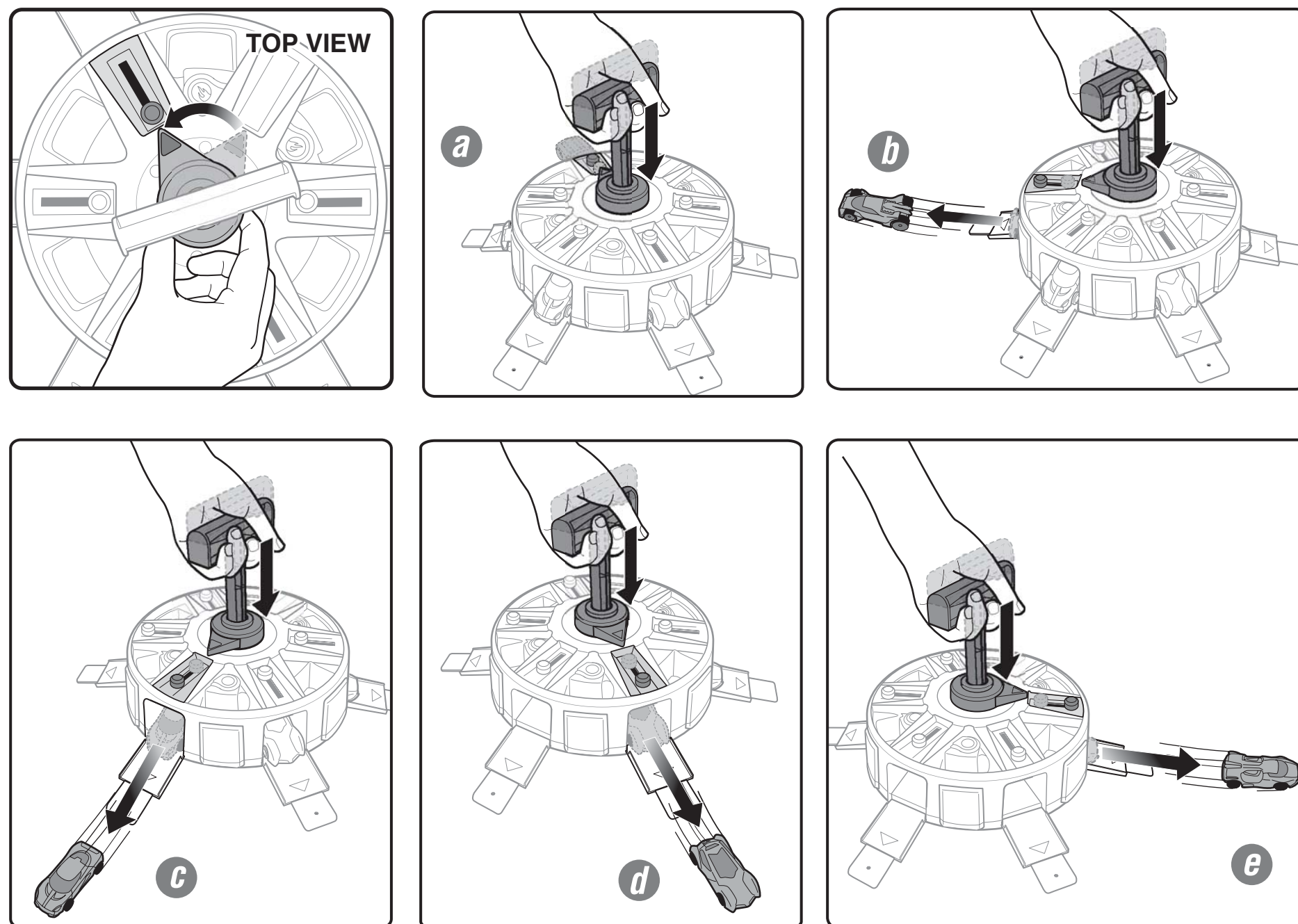


INSTRUCTION SHEET SPECIFICATIONS	
Toy No.:	L8974
Part No.:	0920
Trim Size:	22" W x 8.5" H
Folded Size:	5.5" W x 8.5" H
Type of Fold:	accordion
# colors:	1C + 1C
Colors:	Black
Paper Stock:	White Offset
Paper Weight:	70 lb.
EDM No.:	

MORE WAYS TO PLAY



3. Move the directional arrow to the car you want to launch. Push the handle all the way down to launch that car. The directional arrow will automatically advance to the next garage after you push down on the handle.



CONNECTS TO HOT WHEELS® TRACK!

