



We listen to you!

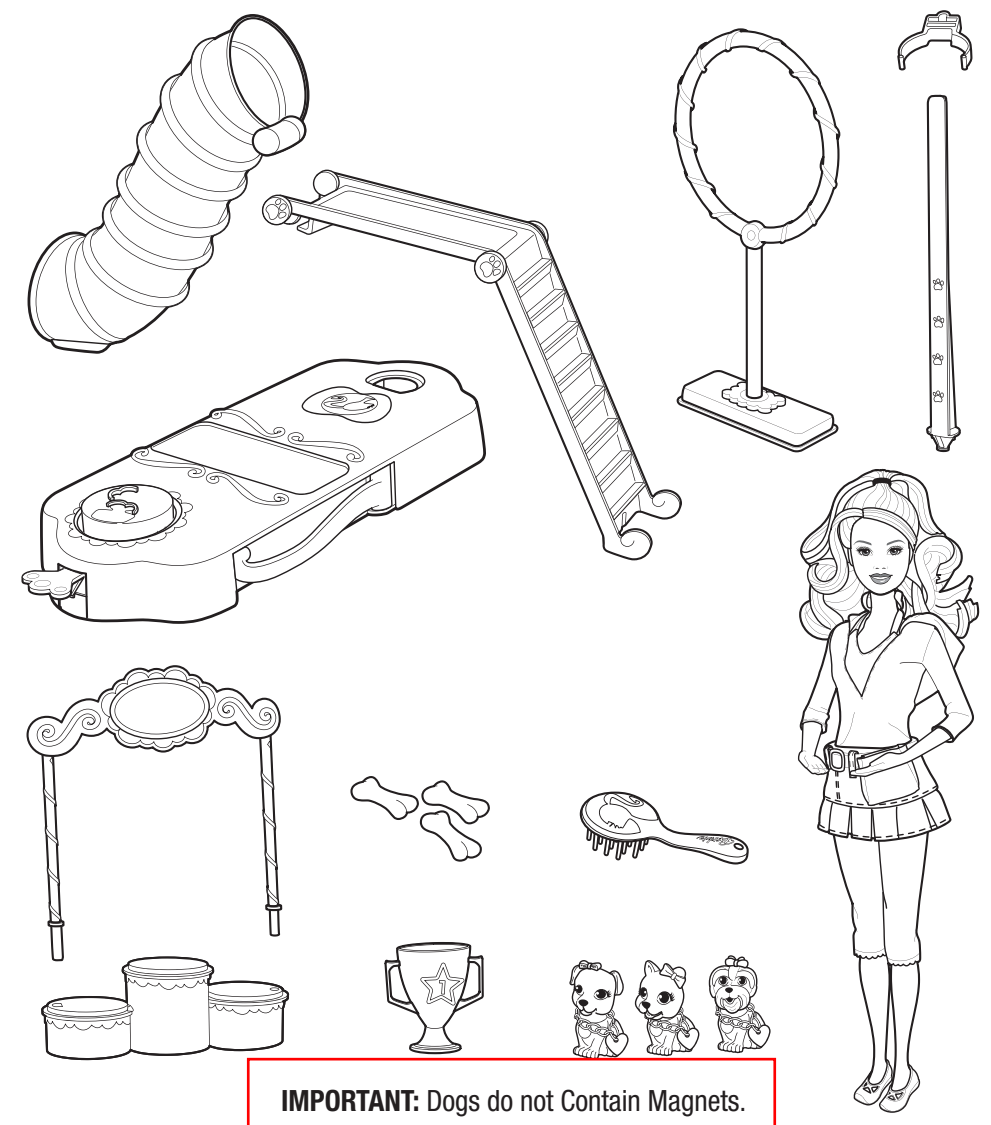
We want you to have fun playing with our products.

Please give us your feedback by filling out the short on-line survey. Go to: secure.mattel.com/surveys

Thanks for helping us make great toys even better!

HELPFUL HINTS

—Insert dog's front feet into the raised area on the jumping stage. Do not trap the dog tag between the raised area and the dog's body. Make sure the dog tag is facing forward, push the lever down all the way and release quickly.



IMPORTANT: Dogs do not Contain Magnets.

CONSUMER INFORMATION

Need Assistance? Visit service.mattel.com or call 1-800-524-8697 (US and Canada only), M-F 9AM - 7PM & SAT 11AM - 5PM, Eastern.

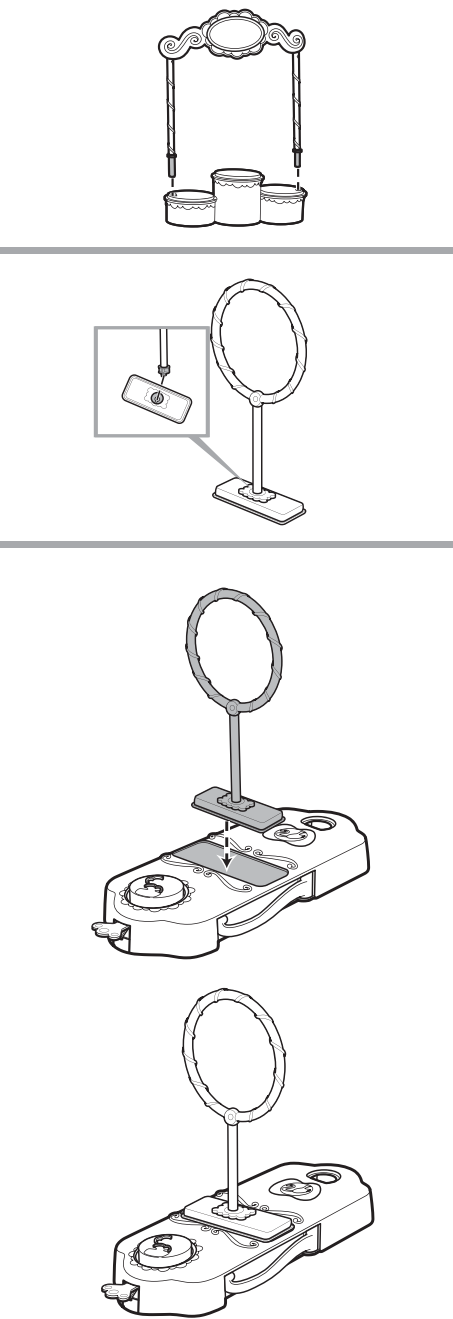
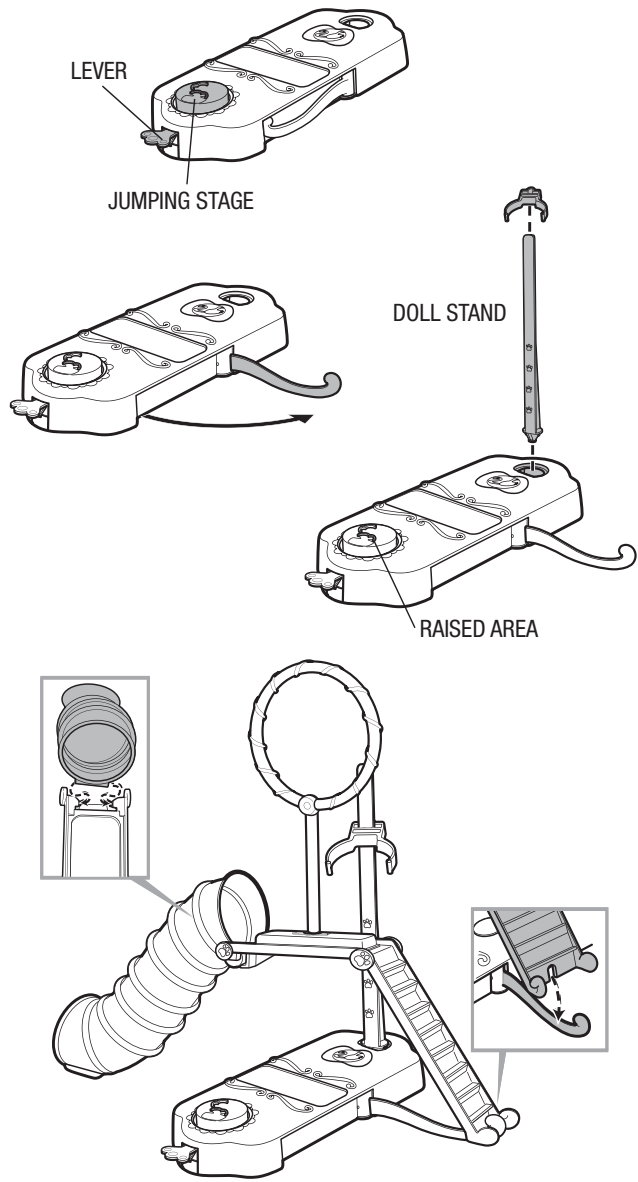
SERVICE.MATTEL.COM

Mattel Canada Inc., Mississauga, Ontario L5R 3W2. You may call us free at 1-800-524-8697.
 Mattel U.K. Ltd., Vanwall Business Park, Maidenhead SL6 4UB. Helpline 01628 500303.
 Mattel Australia Pty., Ltd., Richmond, Victoria. 3121. Consumer Advisory Service - 1300 135 312.
 Mattel East Asia Ltd., Room 1106, South Tower, World Finance Centre, Harbour City, Tsimshatsui, HK, China.
 Diimport & Diedarkan Oleh: Mattel SEA Ptd Ltd.(993532-P) Lot 13.5, 13th Floor, Menara Lien Hoe, Persiaran Tropicana Golf Country Resort, 47410 PJ. Tel:03-78803817, Fax:03-78803867.
 Mattel, Inc., 333 Continental Blvd., El Segundo, CA 90245 U.S.A. Consumer Affairs 1 (800) 524-8697.

 **WARNING:**
CHOKING HAZARD - Small parts.
 Not for children under 3 years.

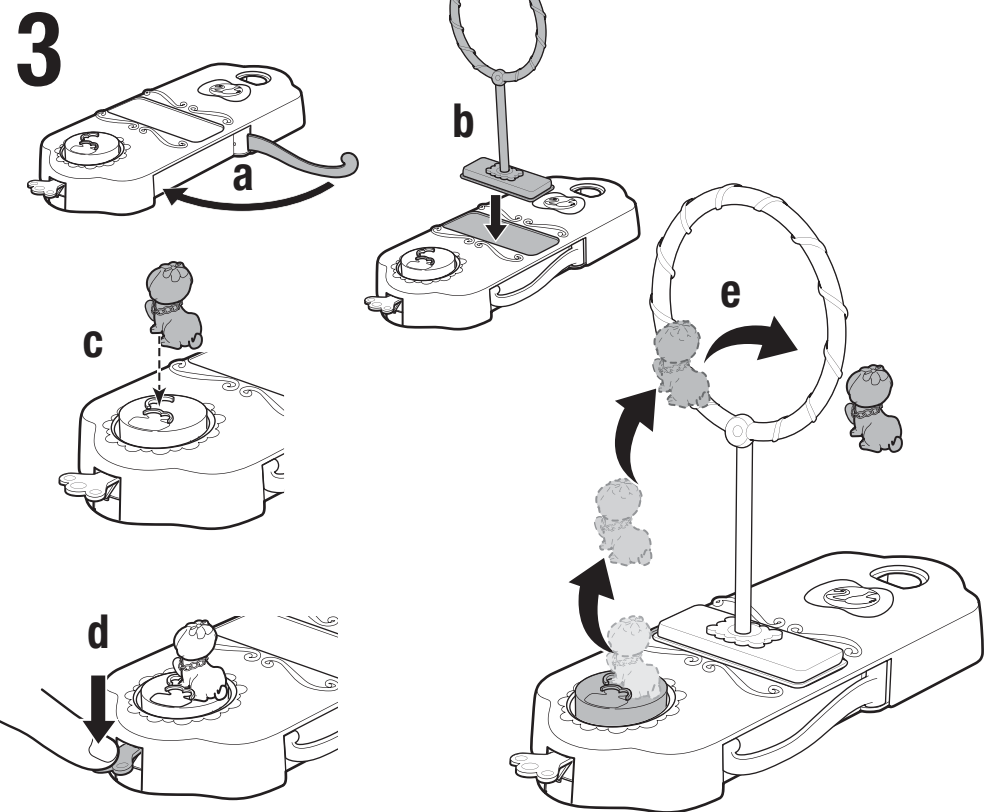
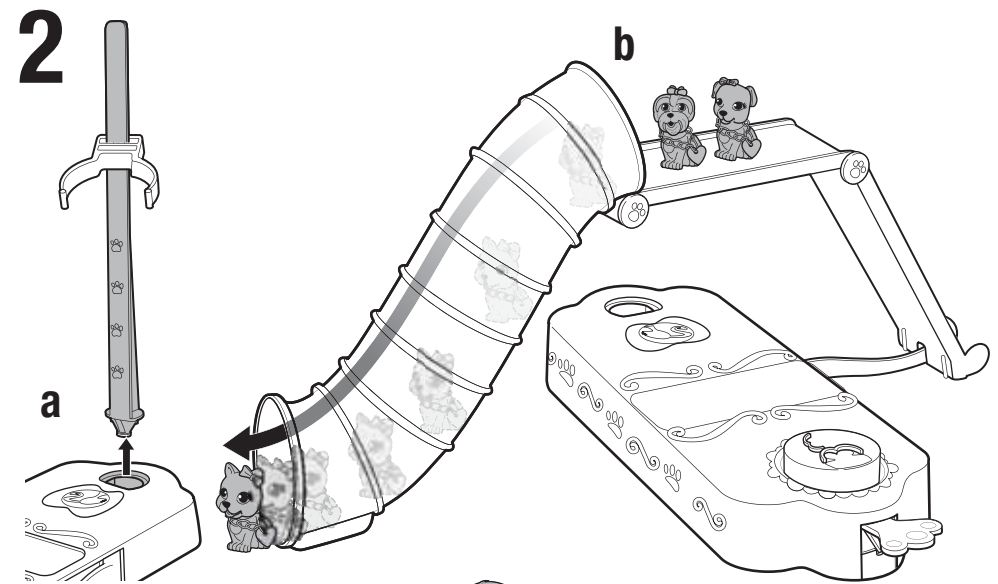
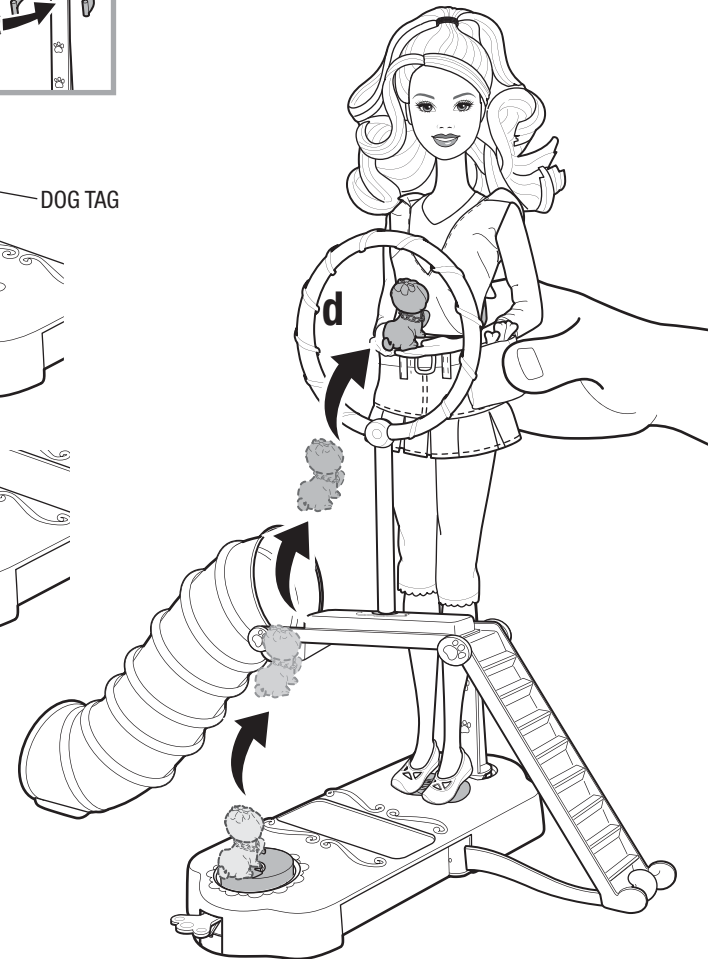
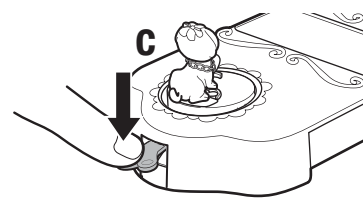
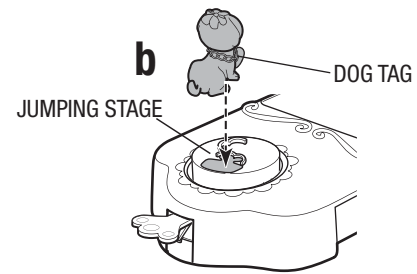
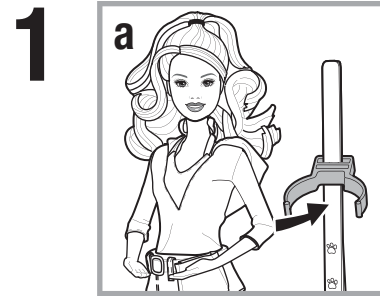
Please remove everything from the package and compare to the contents shown here. If any items are missing, please contact your local Mattel office. Keep these instructions for future reference as they contain important information.

Assembly



Let's Play!

- (a) Attach doll to doll stand. (b) Place puppy on jumping stage facing doll. (c) Press lever **DOWN** all the way and release quickly. (d) Doll catches puppy!
- (a) Remove doll stand. (b) Puppies go for a ride on the slide!
- (a) Close. (b) Attach hoop. (c) Place puppy on jumping stage facing **LEFT**. (d) Press lever **DOWN** all the way and release quickly. (e) Puppy jumps through hoop!



Doll contains magnets. Do not use around items that are sensitive to or affected by magnetic fields.