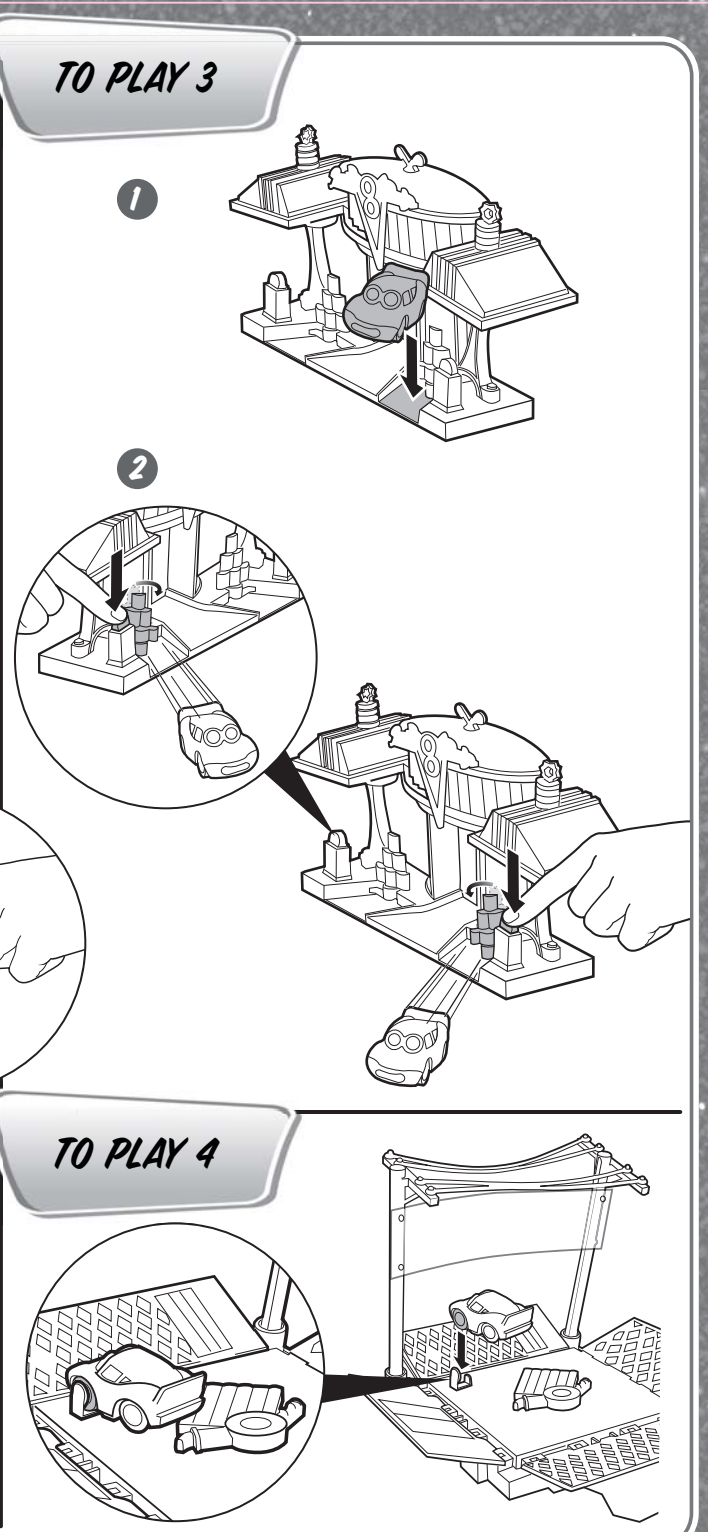
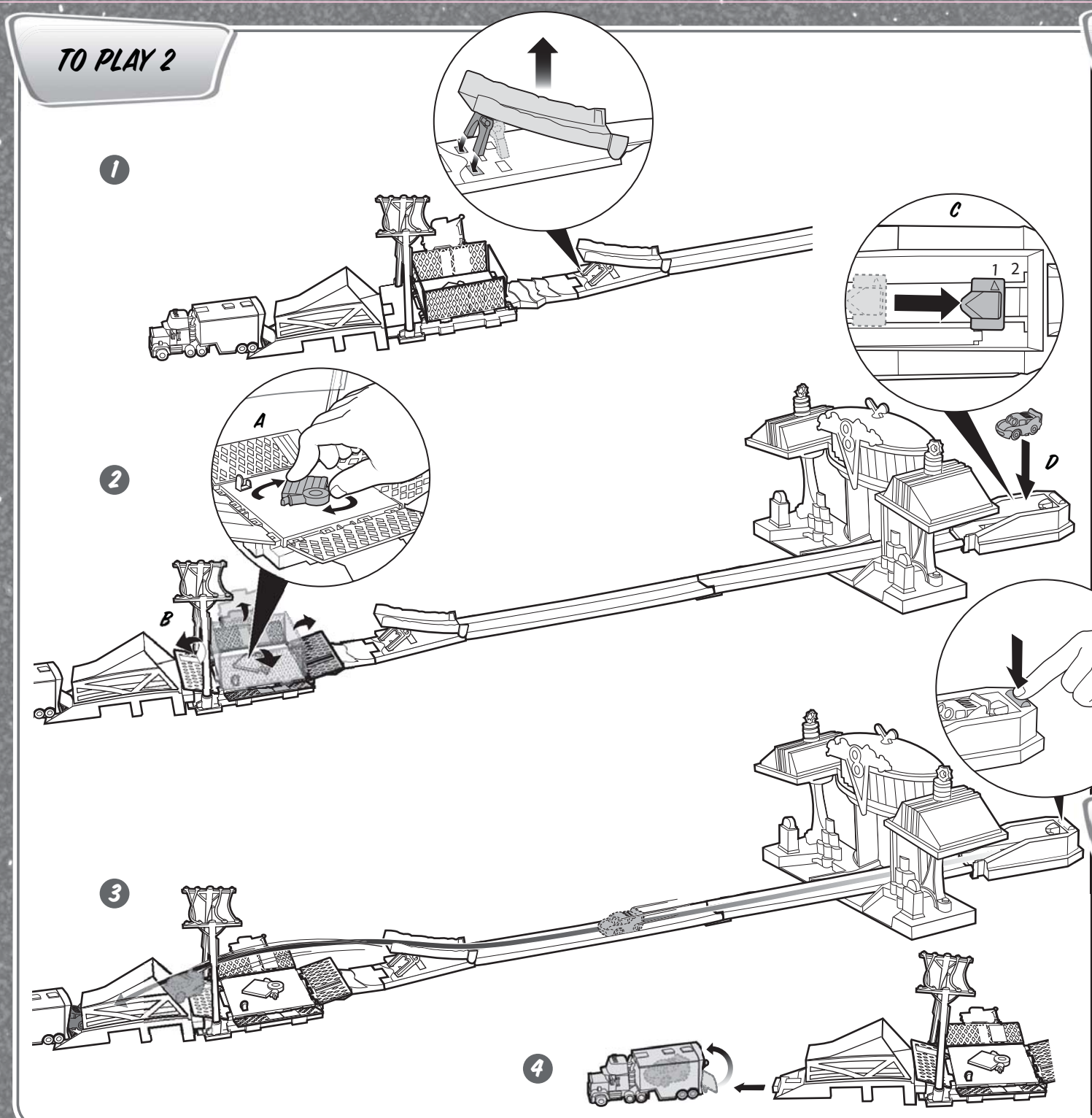


INSTRUCTION SHEET SPECIFICATIONS
 Toy: CARS RADIATOR SPRINGS SPEED TRAP
 Toy No.: P0001
 Part No.: 0920
 Trim Size: 17.55"x8.26"
 Folded Size: 7.87"x5.45"
 Type of Fold:
 # colors: One
 Colors: Black
 Paper Stock: White Offset
 Paper Weight: 70 lb.
 EDM No.:



Disney Pixar
THE WORLD OF CARS

INSTRUCTIONS

4+

CONTENTS

Mack is a registered trademark of Mack Trucks, Inc. © Disney/Pixar

ASSEMBLY

1. Attach the building facade to the base.
 2. Attach the car to the track.

P0001-0920 Mattel, Inc., All Rights Reserved.
 Mattel, Inc., 636 Girard Avenue East Aurora, NY 14052, U.S.A. Consumer Relations 1, (800) 524-8897. Retain this address for future reference. Mattel U.K. Ltd., Vanwall Business Park, Maidenhead SL6 4UB, Helipline 01628 500303. Mattel Australia Pty. Ltd., Richmond, Victoria, 3121. Consumer Advisory Service - 1300 135 312. Mattel East Asia Ltd., Room 1106, South Tower, World Finance Centre, Harbour City, Tsimshatsui, HK, China. Dimport & Diedarkan Oleh: Mattel SEA Ptd Ltd, (993532-P) Lot 13.5, 13th Floor, Menara Lien Hoe, Persiaran Tropicana Golf Country Resort, 47410 PJ, Tel: 03-78803817, Fax: 03-78803867. service.mattel.com

