

MATCHBOX®

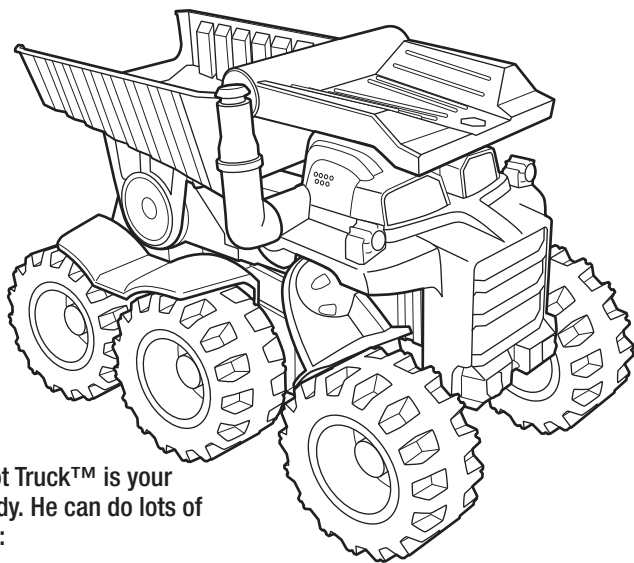
ROCKY THE ROBOT TRUCK™ Vehicle



INSTRUCTIONS

Please keep these instructions for future reference as they contain important information.

CONTENTS



Rocky the Robot Truck™ is your interactive buddy. He can do lots of different things:

1. Dance
2. Dump
3. Speak
4. React

Requires 4 "C" alkaline batteries.

Batteries included are for demonstration purposes.



**READY FOR
ACTION®**

3+

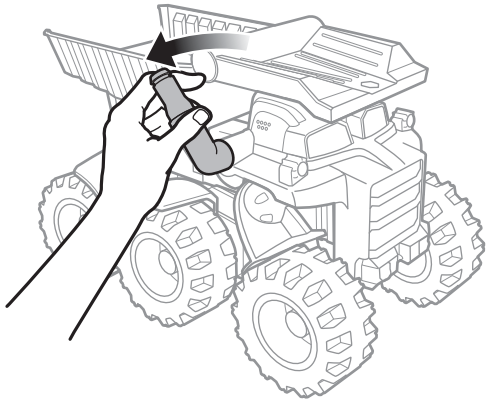
MATCHBOX.COM

P4458-0920

© 2009 Mattel, Inc. All Rights Reserved. Mattel, Inc. 636 Girard Avenue, East Aurora, NY 14052 U.S.A. Consumer Relations 1 (800) 524-8697 service.mattel.com • Mattel Canada Inc., Mississauga, Ontario L5R 3W2. You may call us free at 1-800-524-8697. • Mattel U.K. Ltd., Vanwall Business Park, Maidenhead SL6 4UB, Helpline 01628500303 • Mattel Australia Pty Ltd., Richmond, Victoria, 3121. Consumer Advisory Service - 1300 135 312. • Mattel East Asia Ltd., Room 1106, South Tower, World Finance Centre, Harbour City, Tsimshatsui, HK, China. • Diimport & Diedarkan Oleh: Mattel SEA Ptd Ltd.(993532-P) Lot 13.5, Menara Lien Hoe, Persiaran Tropicana Golf Country Resort, 47410 PJ. Tel:03-78803817, Fax:03-78803867.

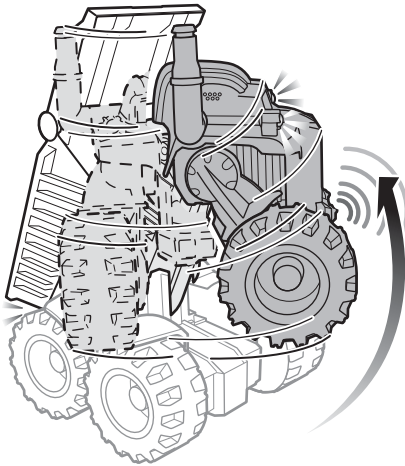
DANCING MODE

1.

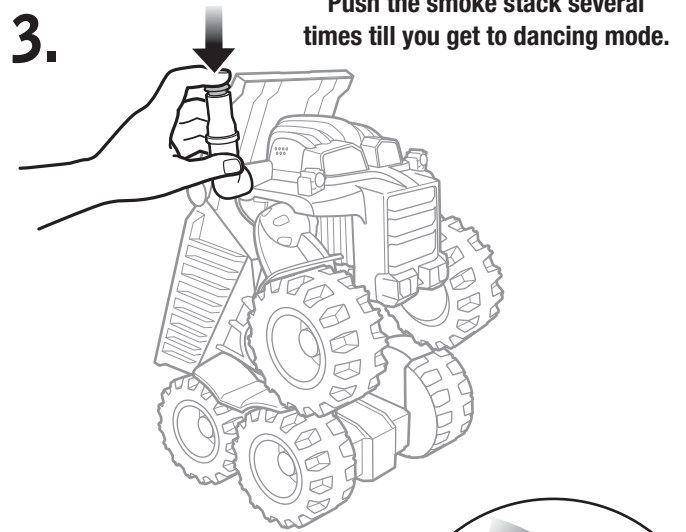


Pull the smoke stack back to get him to stand upright.

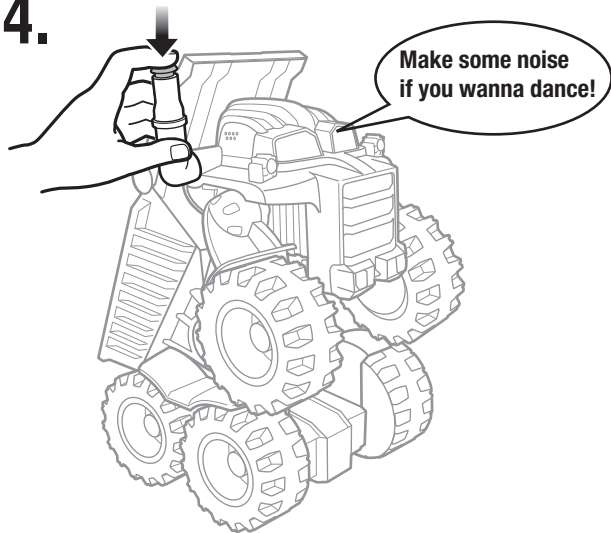
2.



3.

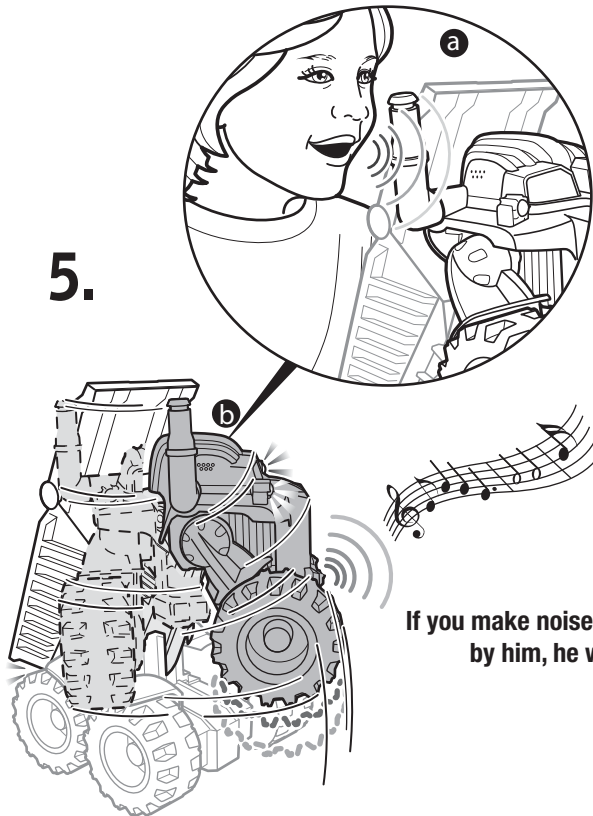


4.

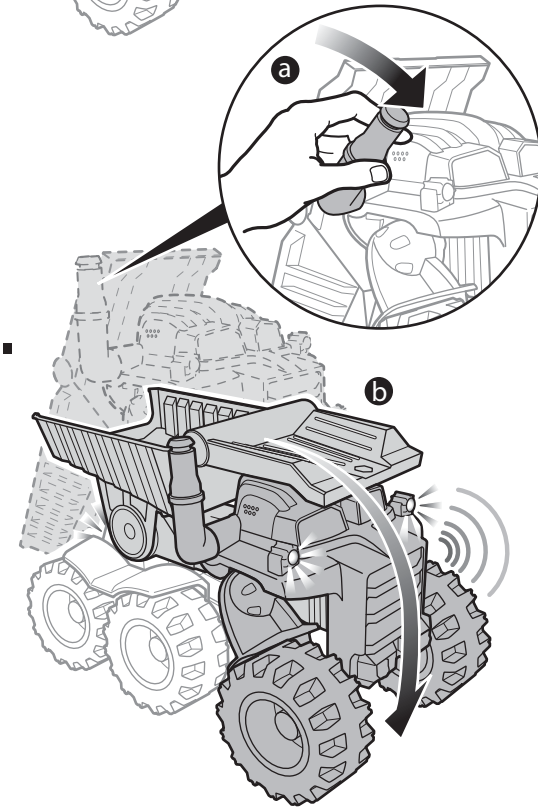


In Dancing Mode, he will prompt you to make noise if you want him to dance.

5.

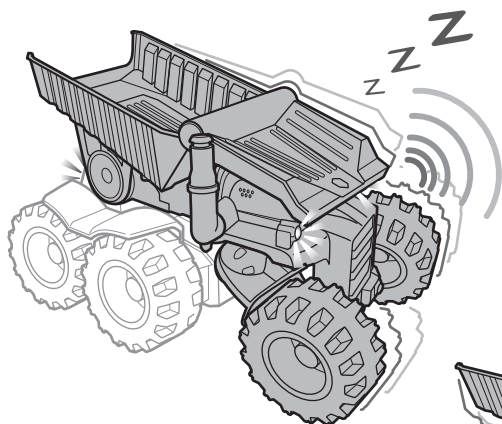


6.



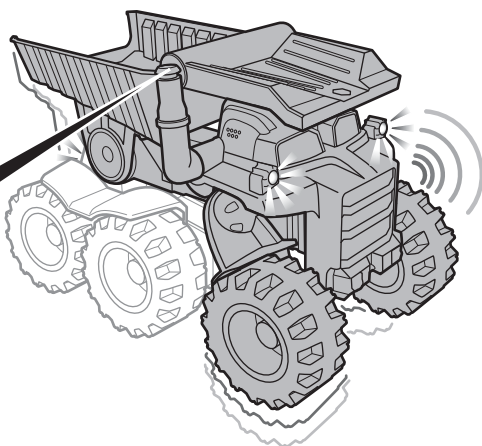
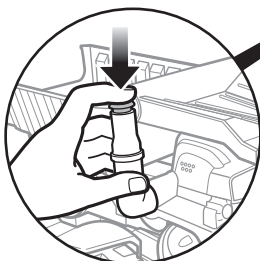
To get him to return to normal truck position, push the smoke stack forward

SLEEP/AWAKE MODE

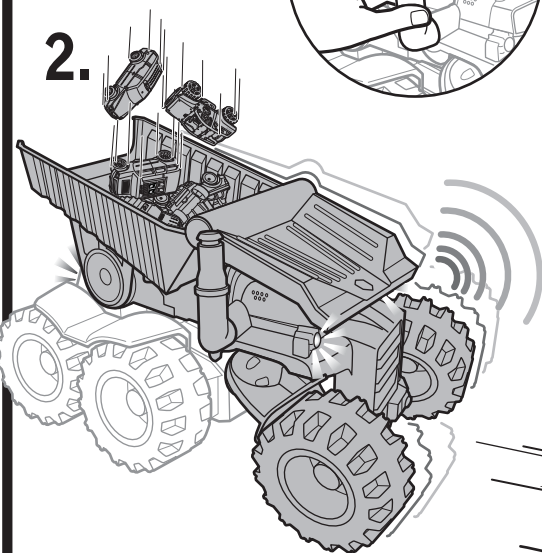


Sometimes if you don't do anything with him, he takes a nap and may even snore!!!!

1.. Wake him Up!

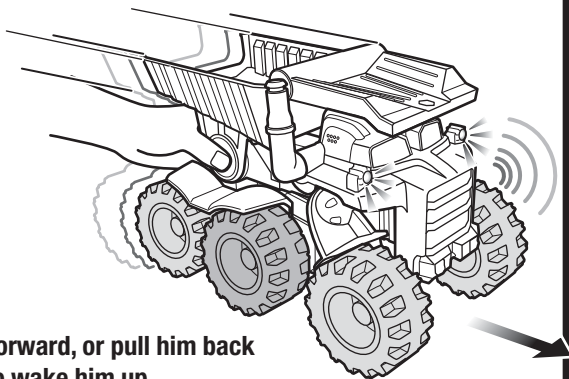


2.



Press smoke stack button or push/pull the exhaust stack backwards or forwards to wake him up.

3.

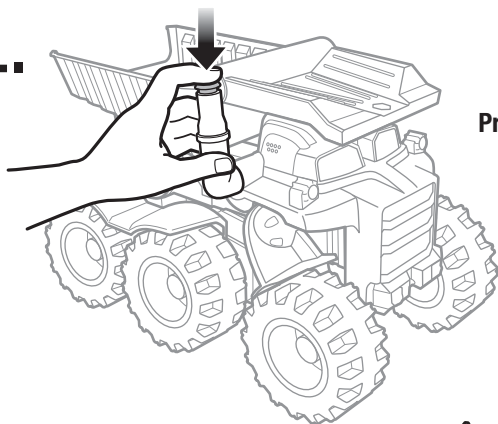


Place something in the dump bed to wake him up!

Push him forward, or pull him back to wake him up.

SPEAKING MODE

1.

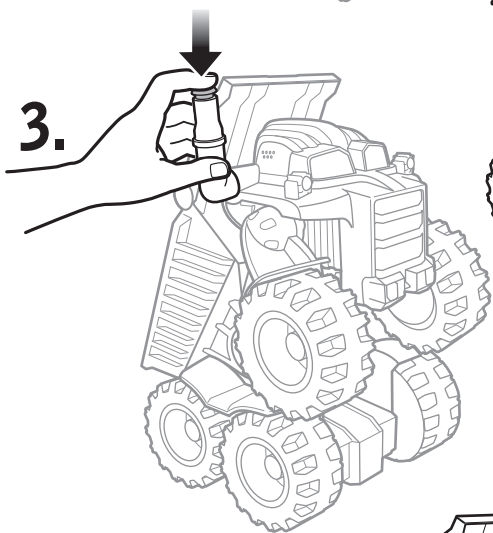


Press his smoke stack continuously to hear his different phrases.

2.



3.



When he is upright, you can push the smoke stack continuously to hear more phrases.

4.

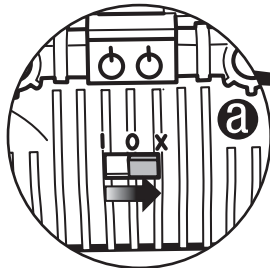


PUSH/PULL MODE

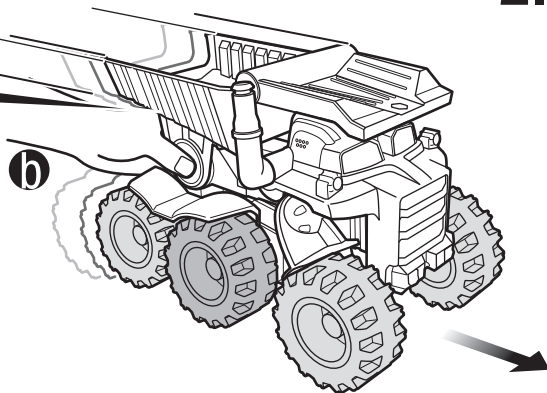
Push him forward. or pull him backward to activate lights and sounds.

1.

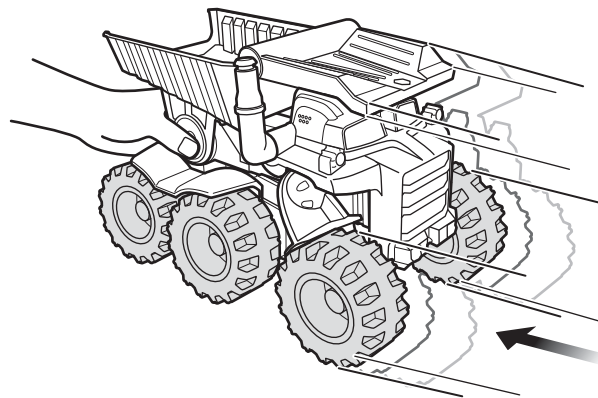
BACK VIEW



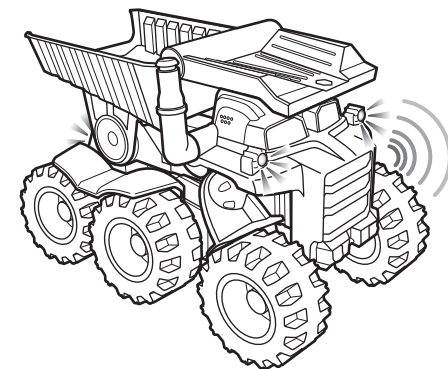
X-----Try-Me
O-----Off
I-----On



2.

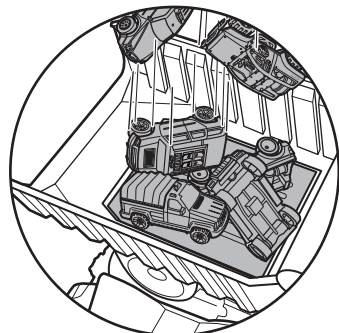


3.

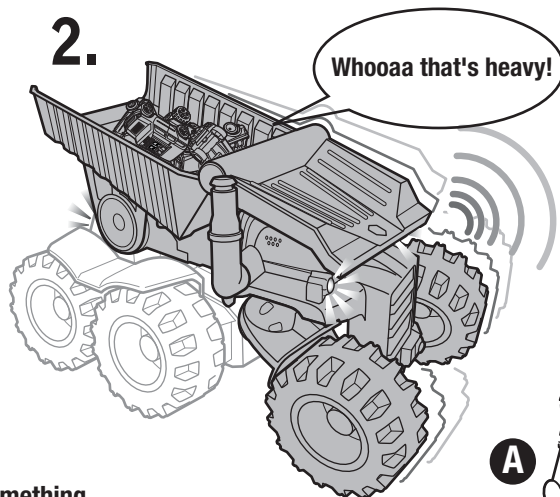


DUMPING MODE

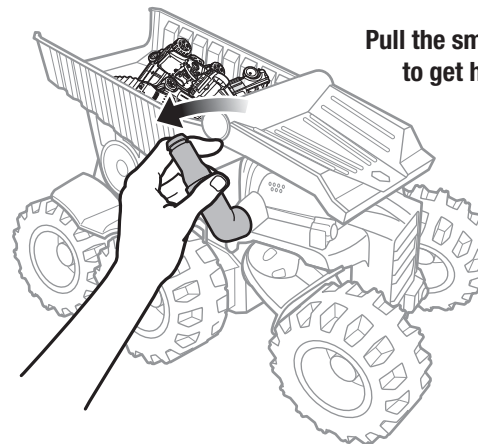
1.



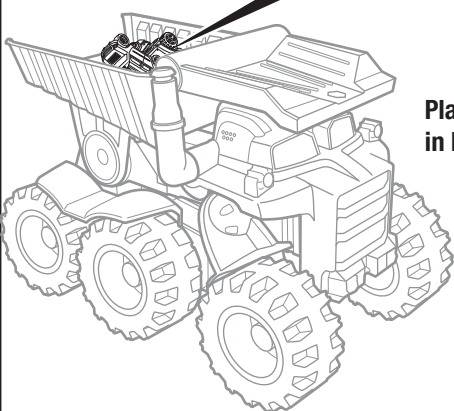
2.



3.



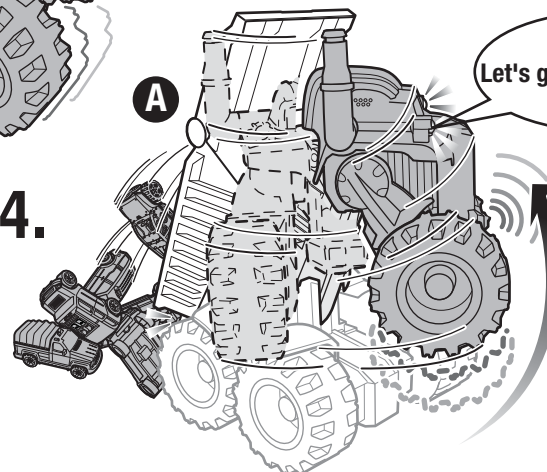
Pull the smoke stack back to get him to dump.



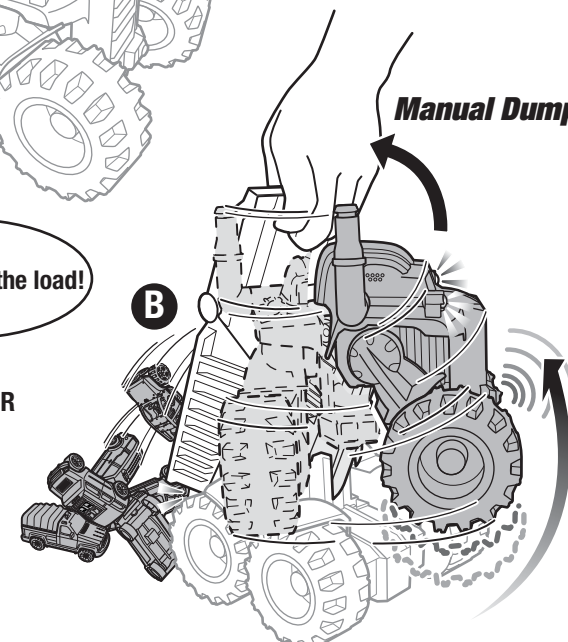
Place something in his dump bed.

In dumping mode, he may prompt you to make noise if you want him to dump. If you make noise when prompted he will dump!

4.

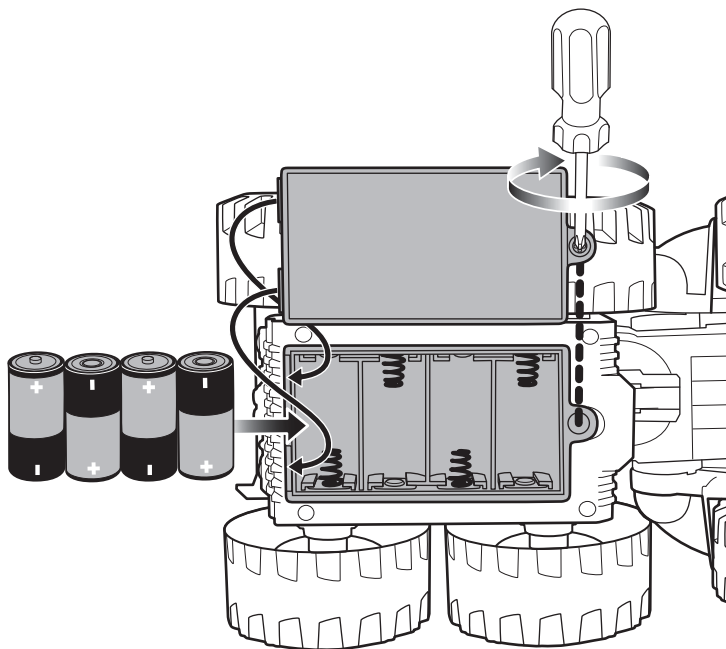


OR



Pull the dump bed back to manually dump his load.

BATTERY INSTALLATION / REPLACEMENT



BOTTOM VIEW

- Remove battery cover with a Phillips head screwdriver (not included).
- Remove batteries included for demonstration purposes and dispose of them safely.
- Install 4 new "C" alkaline batteries in the orientation (+/-) shown.
- Replace battery cover and tighten screw.
- Replace the batteries if the product does not function properly.

BATTERY SAFETY INFORMATION

In exceptional circumstances batteries may leak fluids that can cause a chemical burn injury or ruin your product. To avoid battery leakage:

- Non-rechargeable batteries are not to be recharged.
- Rechargeable batteries are to be removed from the product before being charged (if designed to be removable).
- Rechargeable batteries are only to be charged under adult supervision (if designed to be removable).
- Do not mix alkaline, standard (carbon-zinc), or rechargeable (nickel-cadmium) batteries.
- Do not mix old and new batteries.
- Only batteries of the same or equivalent type as recommended are to be used.
- Batteries are to be inserted with the correct polarity.
- Exhausted batteries are to be removed from the product.
- The supply terminals are not to be short-circuited.
- Dispose of battery(ies) safely.
- Do not dispose of this product in a fire. The batteries inside may explode or leak.



Protect the environment by not disposing of this product with household waste [2002/96/EC]. Check your local authority for recycling advice and facilities.