



www.fisher-price.com



Please keep this instruction sheet for future reference, as it contains important information.

Requires six "AAA" alkaline batteries (not included) and three button cell batteries (included) for operation.

Adult assembly is required.

Tool required for battery installation: Phillips screwdriver (not included).



## Consumer Information

**CONSUMER ASSISTANCE**  
 1-800-432-5437 (US & Canada)  
 1300 135 312 (Australia)  
[service.fisher-price.com](http://service.fisher-price.com)

Fisher-Price, Inc., 636 Girard Avenue, East Aurora, NY 14052.  
 Hearing-impaired consumers: 1-800-382-7470.

Outside the United States:  
 Canada: Mattel Canada Inc., 6155 Freemont Blvd., Mississauga, Ontario L5R 3W2; [www.service.mattel.com](http://www.service.mattel.com).  
 Great Britain: Mattel UK Ltd, Vanwall Business Park, Maidenhead SL6 4UB, Helpline: 01628 500303, [www.service.mattel.com/uk](http://www.service.mattel.com/uk)  
 Australia: Mattel Australia Pty. Ltd., 658 Church Street, Locked Bag #670, Richmond, Victoria 3121 Australia.  
 New Zealand: 16-18 William Pickering Drive, Albany 1331, Auckland.

### ICES-003

- This Class B digital apparatus complies with Canadian ICES-003.
- Operation is subject to the following two conditions: (1) this device may not cause harmful interference and (2) this device must accept any interference received, including interference that may cause undesired operation.

### NMB-003

- Cet appareil numérique de la classe B est conforme à la norme NMB-003 du Canada.
- L'utilisation de ce dispositif est autorisée seulement aux conditions suivantes : (1) il ne doit pas produire de brouillage et (2) l'utilisateur du dispositif doit être prêt à accepter tout brouillage radioélectrique reçu, même si ce brouillage est susceptible de compromettre le fonctionnement du dispositif.

### FCC Statement (United States Only)

This equipment has been tested and found to comply with the limits for a Class B digital device, pursuant to Part 15 of the FCC Rules. These limits are designed to provide reasonable protection against harmful interference in a residential installation. This equipment generates, uses and can radiate radio frequency energy and, if not installed and used in accordance with the instructions, may cause harmful interference to radio communications. However, there is no guarantee that interference will not occur in a particular installation. If this equipment does cause harmful interference to radio or television reception, which can be determined by turning the equipment off and on, the user is encouraged to try to correct the interference by one or more of the following measures:

- Reorient or relocate the receiving antenna.
- Increase the separation between the equipment and receiver.
- Consult the dealer or an experienced radio/TV technician for help.

Note: Changes or modifications not expressly approved by the manufacturer responsible for compliance could void the user's authority to operate the equipment.

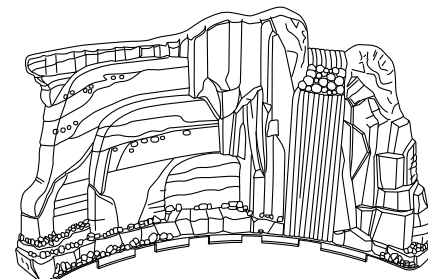
This device complies with Part 15 of the FCC Rules.

Operation is subject to the following two conditions: (1) This device may not cause harmful interference and (2) this device must accept any interference received, including interference that may cause undesired operation.

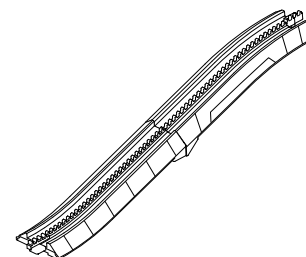
### Care

- Wipe this toy with a clean, damp cloth. Do not immerse the vehicles or remote controller.
- This toy has no consumer serviceable parts. Do not take this toy apart.

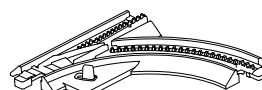
## Assembled Parts



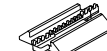
Mountain



2 Ramp Tracks



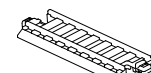
Y Track



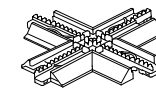
3 Straight Tracks



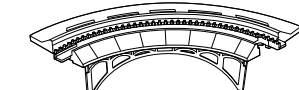
2 Trestles



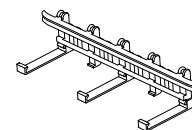
Railroad Track



Crossover Track



Bridge Track

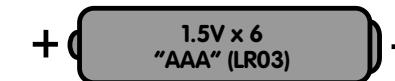


2 Guard Rails



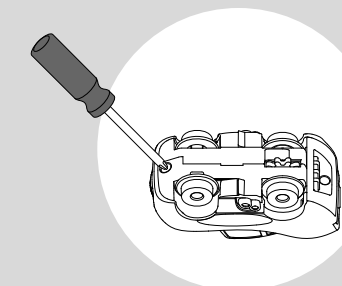
4 Curve Tracks

## Battery Installation (Lightning McQueen and Remote Controller)



### Lightning McQueen

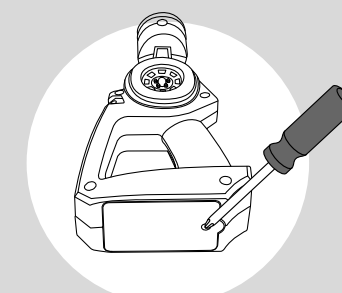
- Loosen the screws in the bottom of the vehicle with a Phillips screwdriver. Remove the top of the vehicle off of the chassis to access the battery compartment. Insert three "AAA" (LR03) alkaline batteries.
- Replace the top of the vehicle and tighten the screws with a Phillips screwdriver. Do not over-tighten.



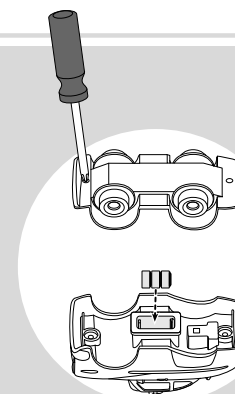
**IMPORTANT!** Under normal use conditions, the batteries in Lightning McQueen will require replacement more often than the batteries in the remote controller.

### Remote Controller

- Locate the battery compartment on the bottom of the remote controller.
- Loosen the screw in the battery compartment door with a Phillips screwdriver. Remove the battery compartment door and insert three "AAA" (LR03) alkaline batteries.
- Replace the battery compartment door and tighten the screw with a Phillips screwdriver. Do not over-tighten.



## Battery Replacement (Sheriff)



### Sheriff

- Loosen the screws in the bottom of the vehicle with a Phillips screwdriver. Remove the top of the vehicle off of the chassis to access the battery compartment.
- Remove the exhausted batteries and throw them away.
- Insert three, new button cell (LR44) alkaline batteries.
- Replace the battery compartment door and tighten the screws. Do not over-tighten.

### Notes:

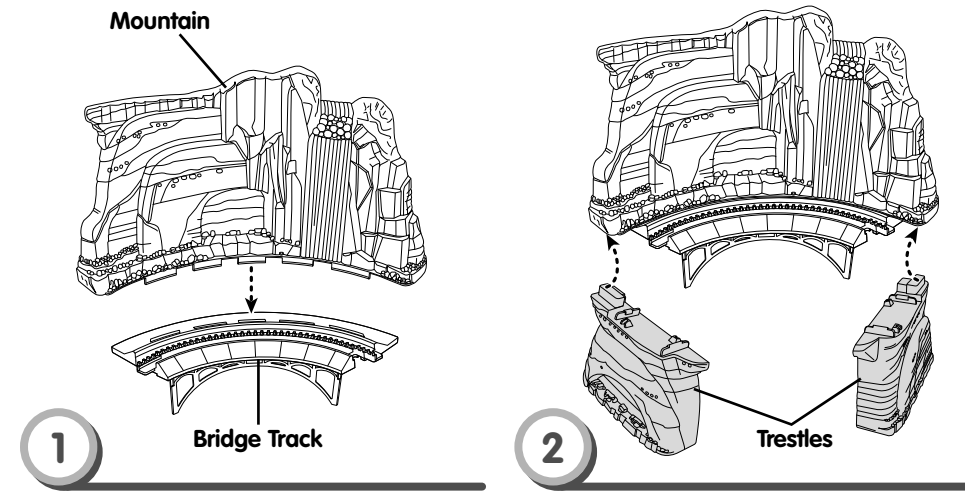
- We recommend using alkaline batteries for longer battery life.
- When sounds/lights/movement become faint or stop, it's time for an adult to change the batteries.
- If the vehicles or the remote controller operate erratically, you may need to reset the electronics. Remove the batteries and replace them.
- Protect the environment by not disposing of this product with household waste (2002/96/EC). Check your local authority for recycling advice and facilities (Europe only).

### Battery Safety Information

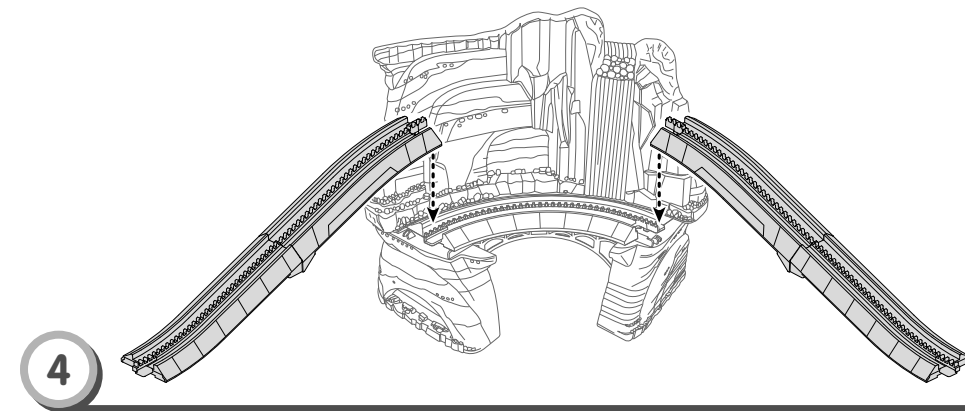
In exceptional circumstances, batteries may leak fluids that can cause a chemical burn injury or ruin your toy. To avoid battery leakage:

- Do not mix old and new batteries or batteries of different types: alkaline, standard (carbon-zinc) or rechargeable (nickel-cadmium).
- Insert batteries as indicated inside the battery compartment.
- Remove batteries during long periods of non-use. Always remove exhausted batteries from the toy. Dispose of batteries safely. Do not dispose of the product in a fire. The batteries inside may explode or leak.
- Never short-circuit the battery terminals.
- Use only batteries of the same or equivalent type, as recommended.
- Do not charge non-rechargeable batteries.
- Remove rechargeable batteries from the toy before charging.
- If removable, rechargeable batteries are used, they are only to be charged under adult supervision.

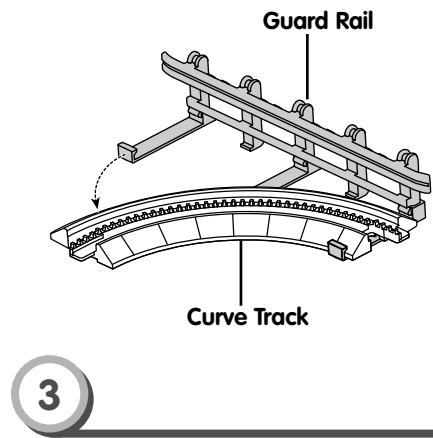
# Assembly and Setup



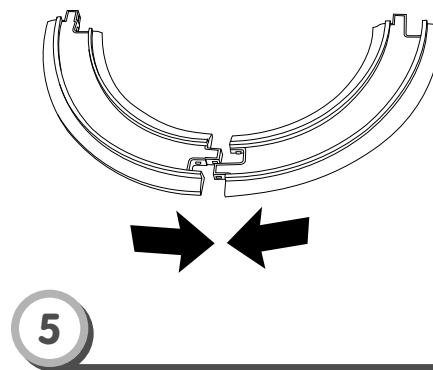
- 1 • Fit the mountain onto the bridge track. Push to “snap” in place.
- 2 • At an angle, fit the tab on a trestle into the slot on the mountain. Push to “snap” in place.
- Repeat this procedure to assemble the other trestle to the mountain.



- 4 • Fit the ramp tracks onto the ends of the bridge track.

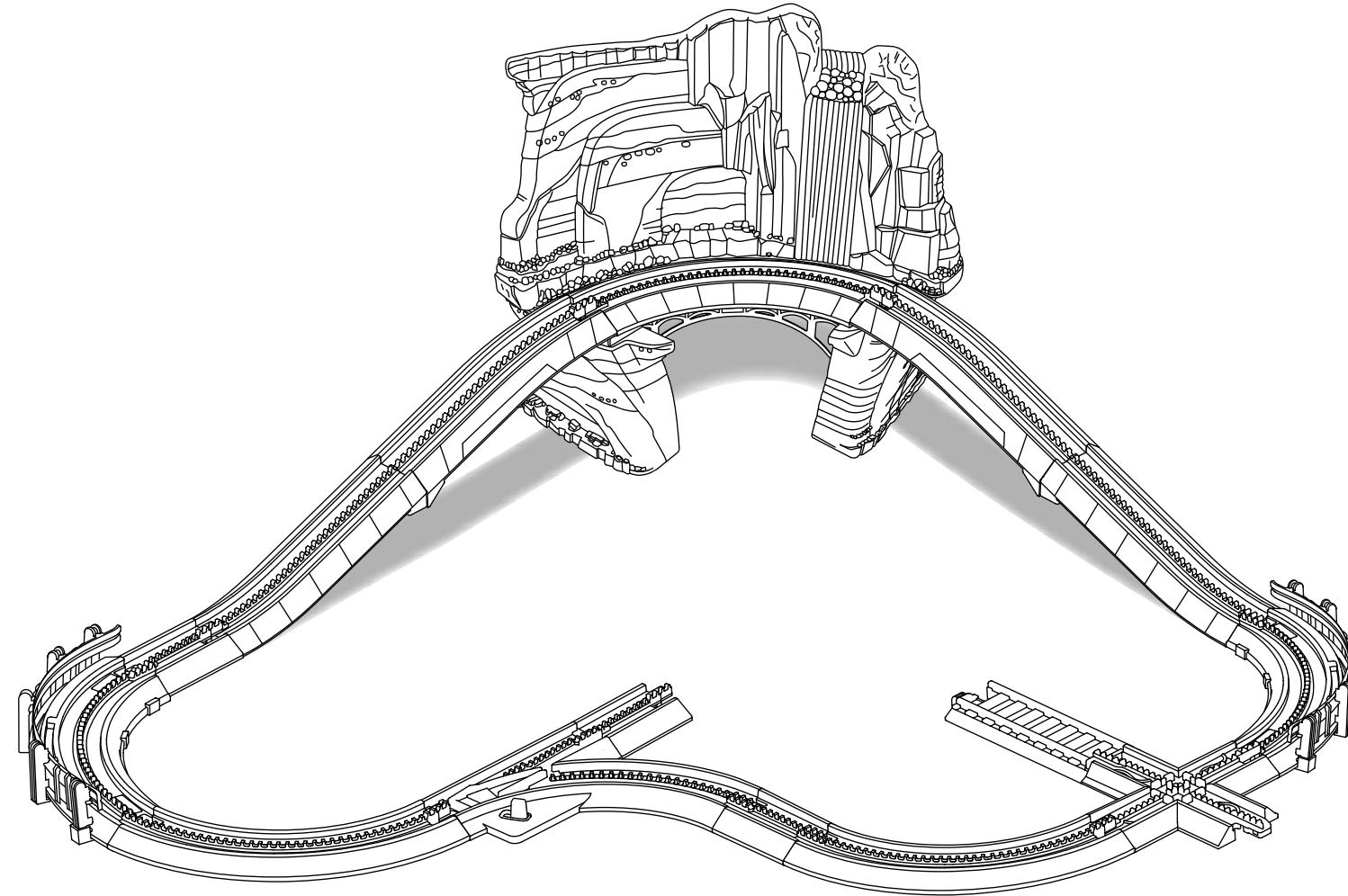


- 3 • Fit each guard rail onto each curve track, as shown.



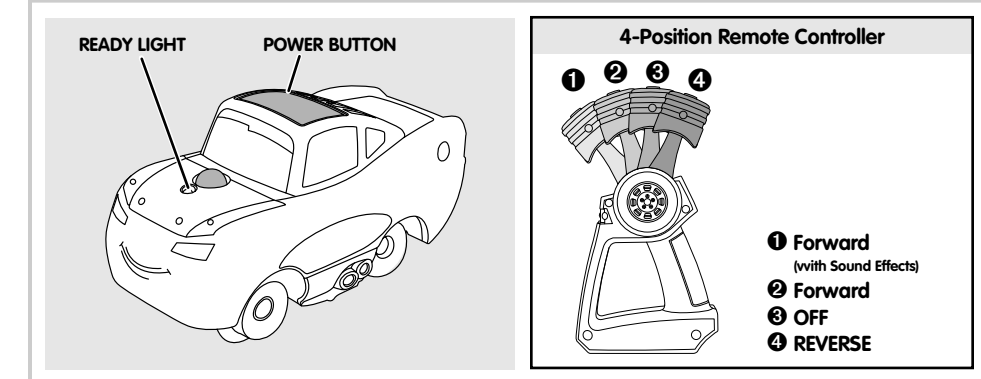
- 5 • Track pieces easily snap together.

# Track Layout



# All Aboard!

*Hint: We do not recommend using the vehicles on carpets. For best performance, use on the track provided or hard, flat surfaces.*



- Place the vehicles on the track.
- Press the power button on top of the Lightning McQueen car. The ready light turns on.
- Hold the remote controller with the stick facing you. Point the remote controller toward the vehicle and push the stick forward. The vehicle moves forward around the track.
- Pull the stick back a little to stop the vehicle.
- Pull the stick all the way back and the vehicle travels in reverse. Release the stick to stop.

- Hints:**
- If you do not operate the remote controller for a few minutes, the vehicle shuts off and the ready light turns off. Press the vehicle power button and operate the remote controller to restart.
  - This toy works best if you have a clear path between the remote controller and the vehicle.
  - Point the remote controller at the vehicle. The maximum range of the remote controller is about 12 feet (3.66 m).
  - Wipe the toy with a clean, damp cloth. Do not immerse.



- Push down on Sheriff to hear fun phrases!

# Troubleshooting

| PROBLEM   | SOLUTION  |
|---|---|
| Vehicle drives slowly                             | Battery power in the vehicle may be weak. Replace all three batteries in the vehicle with fresh, <b>alkaline</b> batteries.<br>The wheels on the vehicle may be dirty. Wipe them with a clean cloth.  |
| Vehicle does not respond to the remote controller | Battery power in the remote controller may be weak. Replace all three batteries in the remote controller with fresh, <b>alkaline</b> batteries.<br>You may be beyond the maximum range of the remote controller, which is about 12 feet (3.66 m).<br>You may not have a clear path between the remote controller and the vehicle. This toy works best when there are no obstructions between the vehicle and the remote controller.<br>Bright sunlight or fluorescent lights may affect the range of the remote controller. Try dimming the room you are playing in.<br>The vehicle may have shut off. If you do not operate the remote controller for a few minutes, the vehicle shuts off automatically and the ready light turns off. Press the power button on the vehicle, and operate the remote controller to restart. |