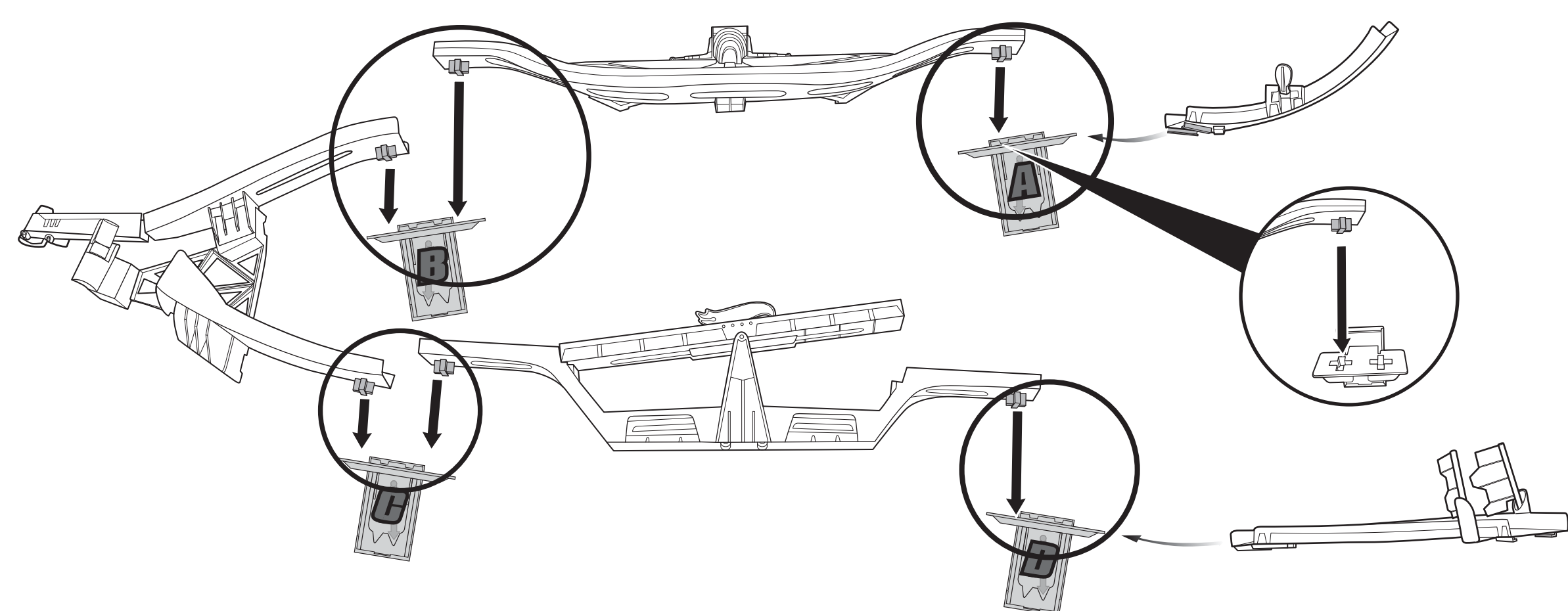
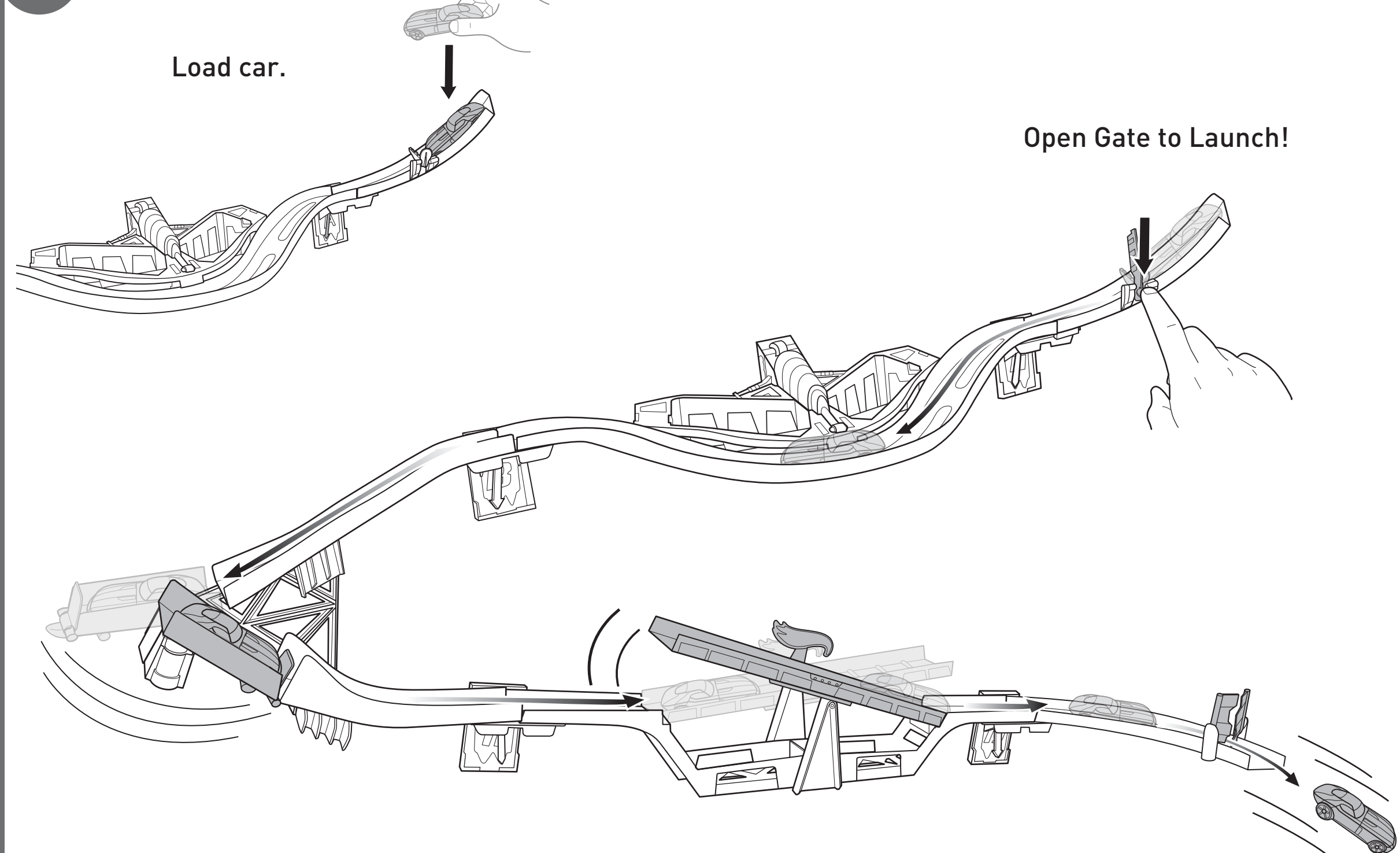


**SEE OTHER SIDE FOR STEPS 1-5**

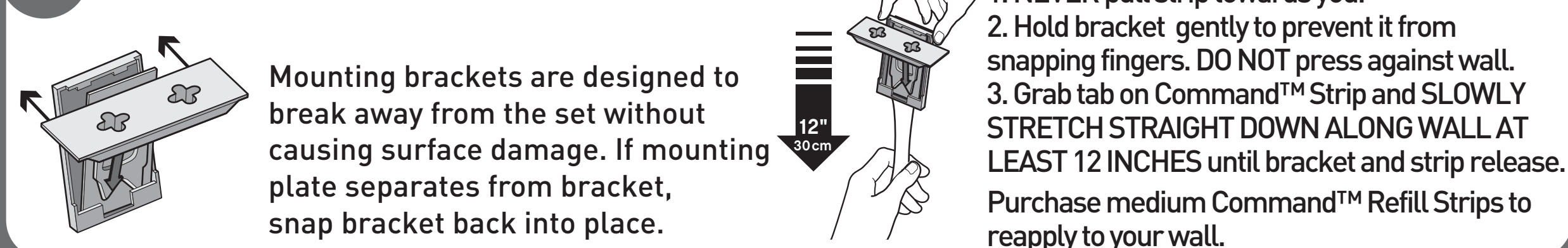
**6 HANG TRACK ON WALL** Once brackets are mounted and TEMPLATE IS REMOVED FROM WALL, attach track pieces as shown.



**7 READY TO PLAY?**

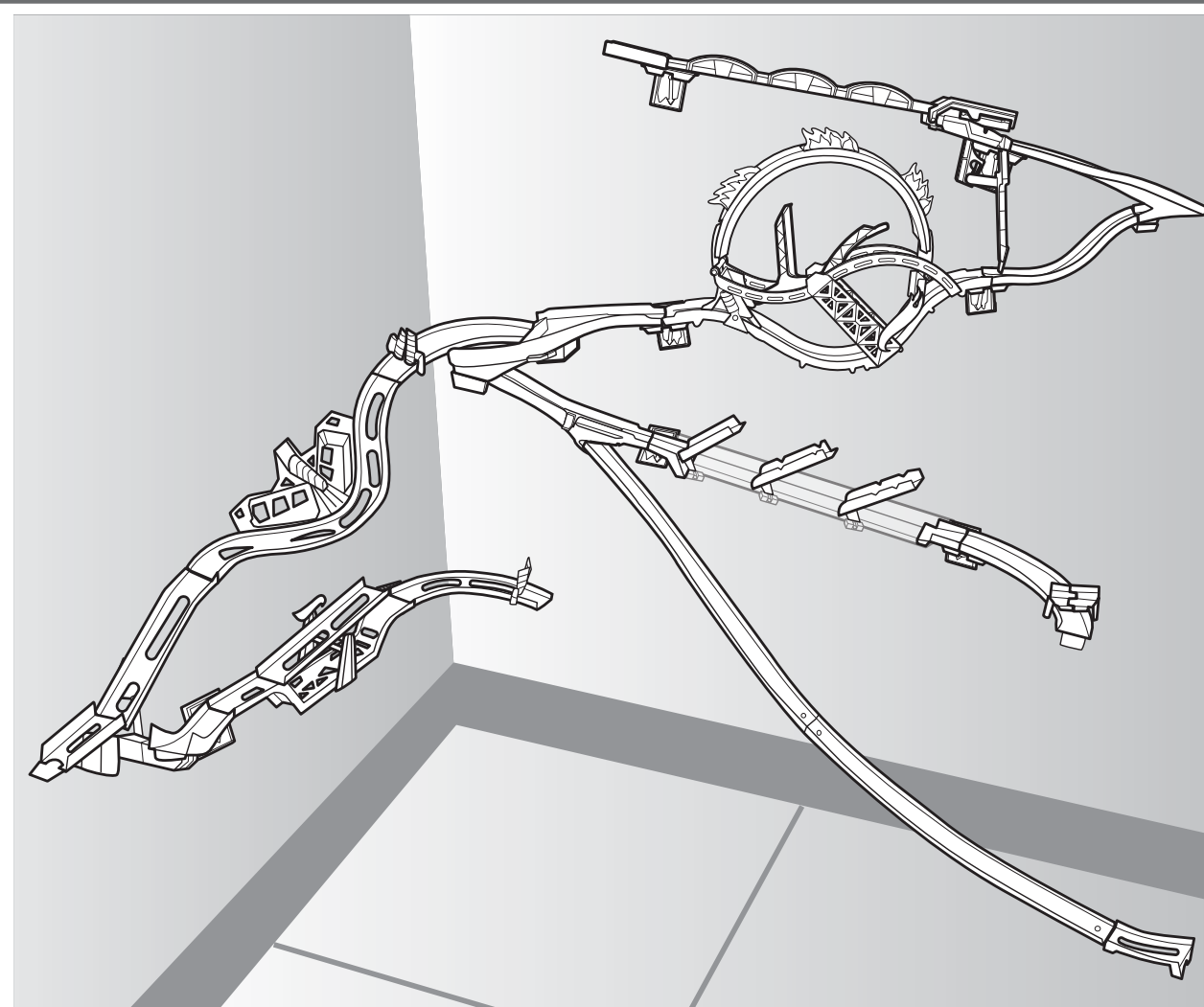


**8 REATTACHING & REMOVAL**



**CONNECT**

Create your own set-ups with other Wall Tracks™ sets.

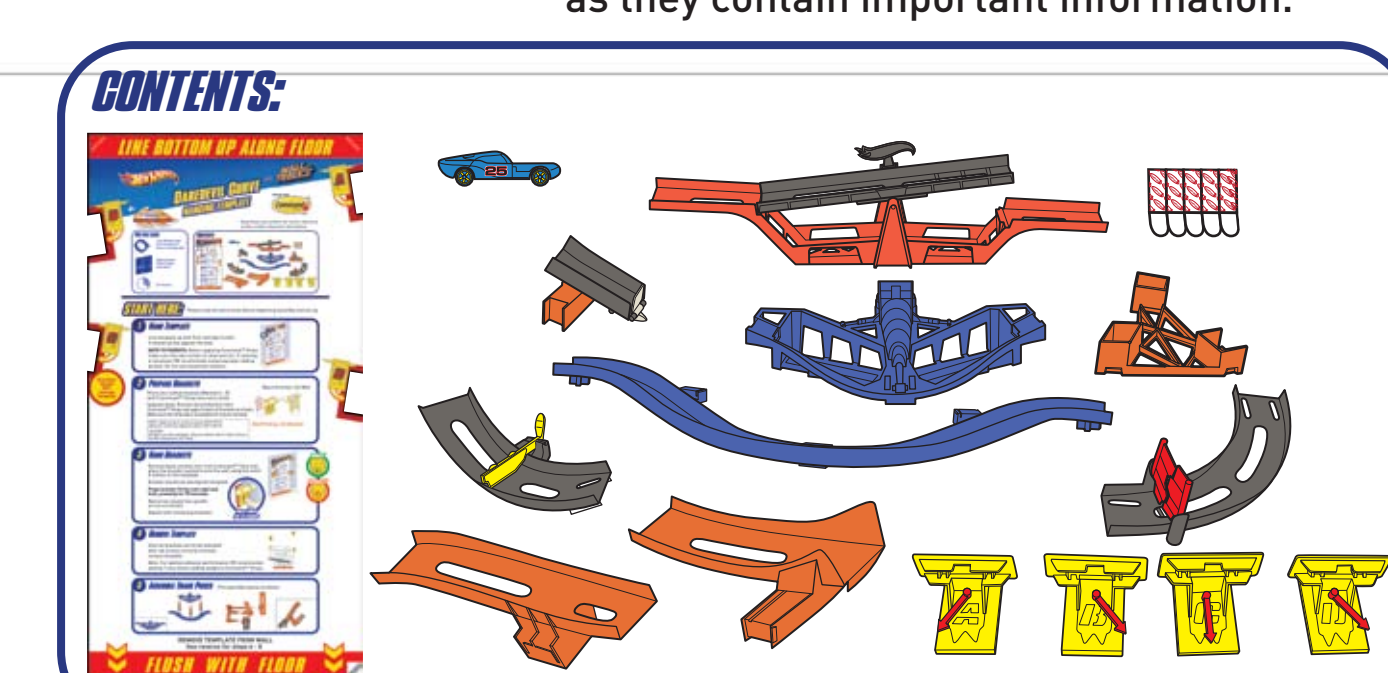


**LINE BOTTOM UP ALONG FLOOR**



**YOU WILL NEED:**

- Low-adhesive tape such as painter's tape or masking tape
- Approximately 3 feet of open wall space
- 20 minutes



Keep these instructions for future reference as they contain important information.

Brackets should NOT overlap template



**START HERE:** Please read all instructions before beginning assembly and set-up.

**1 HANG TEMPLATE**

Line template up with floor and tape to wall. It should lay flat against the wall.

**NOTE TO PARENTS:** Before applying Command™ Strips make sure the wall surface is clean and dry. If cleaning is necessary 3M recommends using isopropyl rubbing alcohol. Do not use household cleaners.

**2 PREPARE BRACKETS**

There are 4 yellow brackets [Marked A - D] and 5 Command™ Strips (one extra strip). Separate strips. Remove red-printed liner from Command™ Strips and apply to back of brackets as shown. Make sure the strip tab is accessible for future removal.

**NOTE:** Apply strips to surfaces above 50°F (10°C). Adhesive could lose adhesion above 105°F (40°C).

**CAUTION:** DO NOT use with wallpaper. May not adhere well to vinyl surfaces. DO NOT hang items over beds.

Black Printing = On Wall

Red Printing = On Bracket

**3 HANG BRACKETS**

Remove black-printed liner from Command™ Strip and place the bracket marked A onto the wall using the notch A outline on the template.

Bracket should not overlap the template.

**Press bracket firmly onto wall and hold, pressing for 30 seconds.**

Red arrow should line up with arrow on bracket.

Repeat with remaining brackets.

**PRESS FIRMLY FOR 30 SECONDS**

**CORRECT**

**INCORRECT**

**4 REMOVE TEMPLATE**

Once all brackets are firmly attached with red arrows correctly oriented, remove template.

**Note:** For optimal adhesion performance 3M recommends waiting 1 hour before adding weight to Command™ Strips.

**5 ASSEMBLE TRACK PIECES** Pre-assemble pieces as shown.

REMOVE TEMPLATE FROM WALL See reverse for steps 6 - 8

**FLUSH WITH FLOOR**

SEE BACK

FOR VIDEOS AND MORE INFORMATION ON HANGING MULTIPLE SETS, GO TO [WWW.HOTWHEELS.COM/WALL-TRACKS](http://WWW.HOTWHEELS.COM/WALL-TRACKS)

With **Command BRAND STRIPS** for **Damage-Free Hanging** 3M

Command™ Strips are a product of 3M. For further information visit [command.com](http://command.com)

NOTE: Apply strips to surfaces above 50°F (10°C). Adhesive could lose adhesion above 105°F (40°C). CAUTION: DO NOT use with wallpaper. May not adhere well to vinyl surfaces. DO NOT hang items over beds. 3M and Command are trademarks of 3M. © 2011 3M. All Rights Reserved.

**HOT WHEELS WALL TRACKS**

©2011 Mattel, Inc. All Rights Reserved. Mattel, Inc., 200 Grove Avenue, San Francisco, CA 94103. U.S.A. Consumer Relations 1-800-524-8697. Mattel U.K. Ltd., Vermont Business Park, Mansfield Road, Milton Keynes MK12 5JG, England. Mattel Australia Pty. Ltd., Business Village, 3121 Consumer Gateway, Sydney NSW 1585, Australia. Mattel East Asia Ltd., Room 1106, South Tower, World Finance Centre, Harbour City, Tsimshatsui, HK, China. Distributor & Importer in India: Mattel SCA, Plot 133, 13th Floor, Menara Lien Hoe, Persiaran Tropicana Golf Country Resort, 47410 PJ, Tel: 03-78803817, Fax: 03-78803867, [www.mattel.com](http://www.mattel.com)