

INSTRUCTION SHEET SPECIFICATIONS	
Toy:	CARS CRABBY BOAT
Toy No.:	V2795
Part No.:	0920
Trim Size:	A4
Folded Size:	
Type of Fold:	accordian
# colors:	One
Colors:	Black
Paper Stock:	White Offset
Paper Weight:	70 lb.
EDM No.:	001a

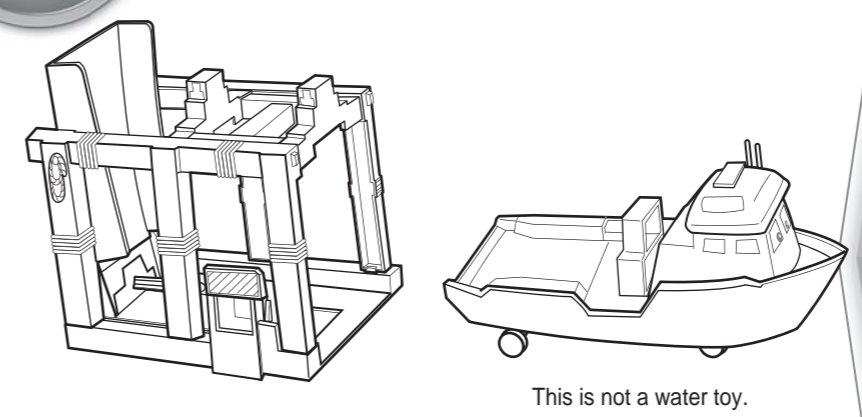


4+

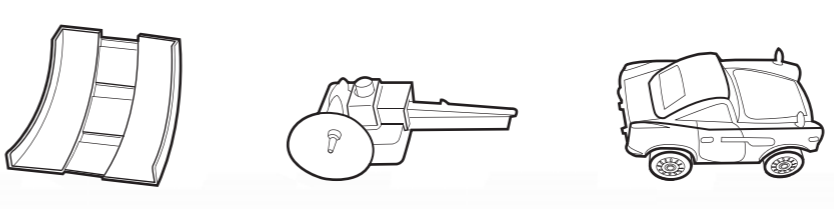
# INSTRUCTIONS

Please keep these instructions for future reference as they contain important information.

## CONTENTS

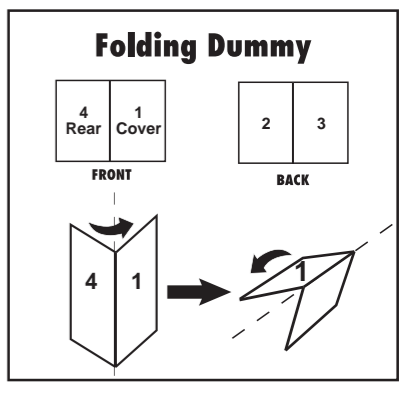


This is not a water toy.



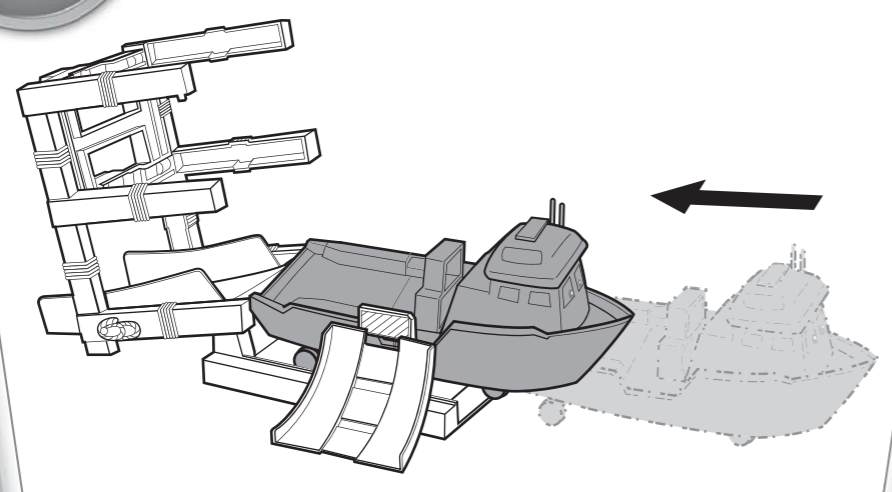
© 2010 Mattel, Inc. All Rights Reserved.  
 Mattel, Inc., 636 Girard Avenue, East Aurora, NY 14052, U.S.A. Consumer Relations 1-800-524-8697. Mattel U.K. Ltd., Vanwall Business Park, Maidenhead SL6 4UB. Helpline 01628 500303. Mattel Australia Pty., Ltd., Richmond, Victoria, 3121. Consumer Advisory Service - 1300 135 312. Mattel East Asia Ltd., Room 1106, South Tower, World Finance Centre, Harbour City, Tsimshatsui, HK, China. Diimport & Diedarkan Oleh: Mattel SEA Ptd Ltd.(993532-P) Lot 13.5, 13th Floor, Menara Lien Hoe, Persiaran Tropicana Golf Country Resort, 47410 PJ. Tel:03-78803817, Fax:03-78803867.

© Disney/Pixar, Pacer™ service.mattel.com V2795-0920A

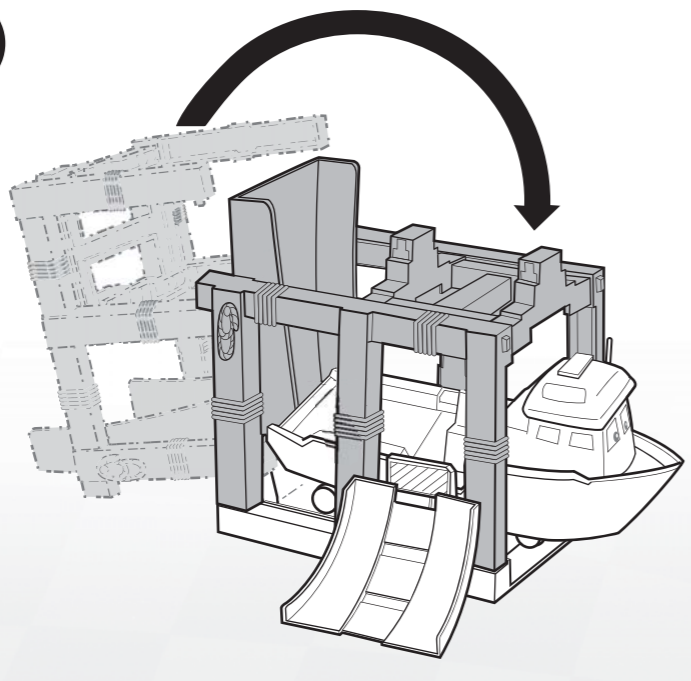


## RESET

1



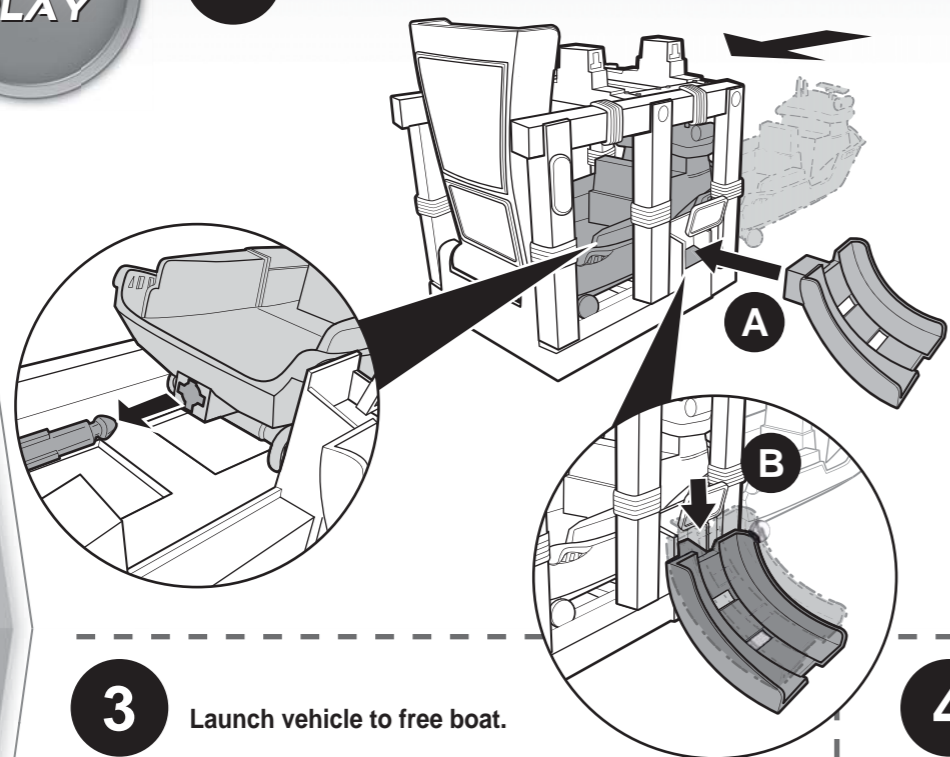
2



## TO PLAY

1

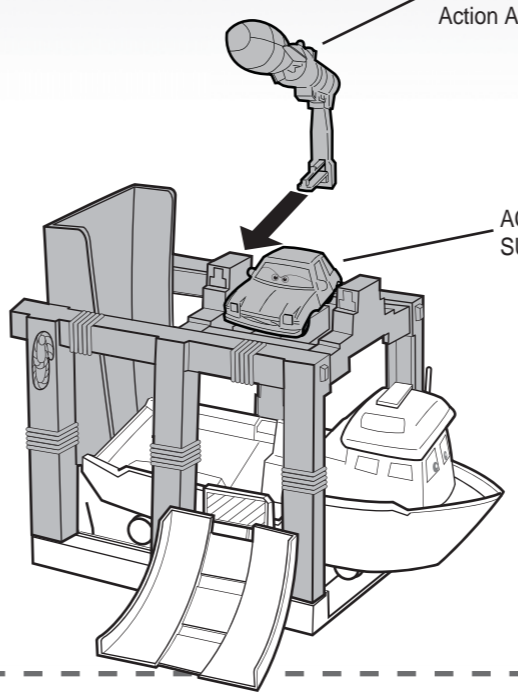
Set up as shown.



2

Rocket accessory not included, sold in Action Agents™ V4247, subject to availability.

ACER VEHICLE SOLD SEPARATELY, SUBJECT TO AVAILABILITY.

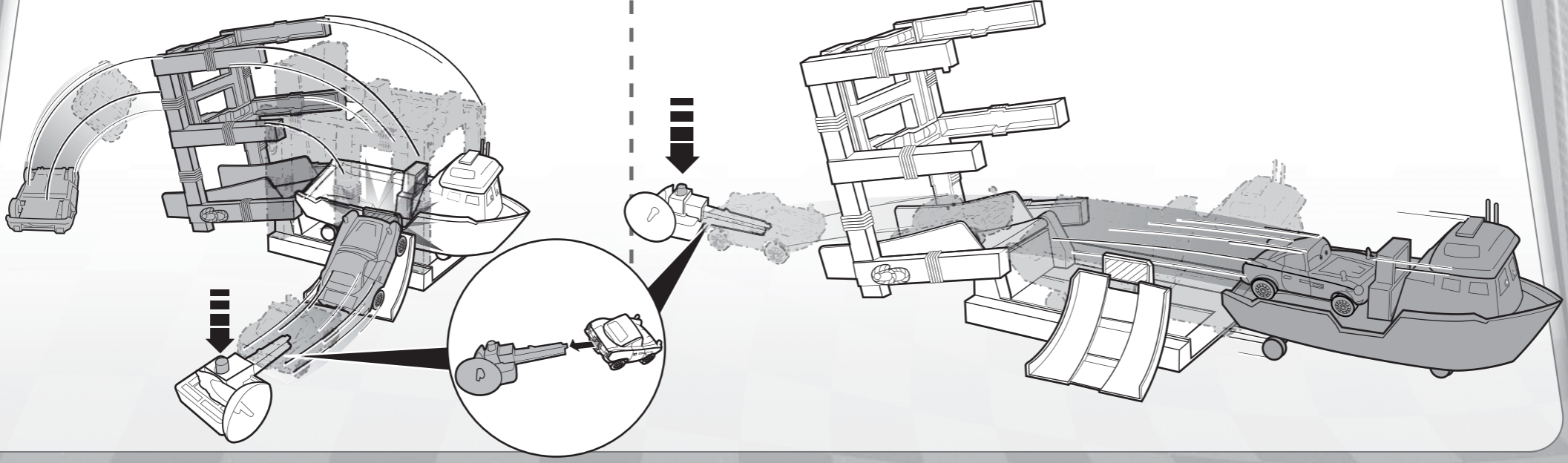


3

Launch vehicle to free boat.

4

Escape on the boat!



INSTRUCTION SHEET SPECIFICATIONS	
Toy:	Spy Train
Toy No.:	V2795
Part No.:	0920
Trim Size:	A4
Folded Size:	
Type of Fold:	accordian
# colors:	One
Colors:	Black
Paper Stock:	White Offset
Paper Weight:	70 lb.
EDM No.:	001a

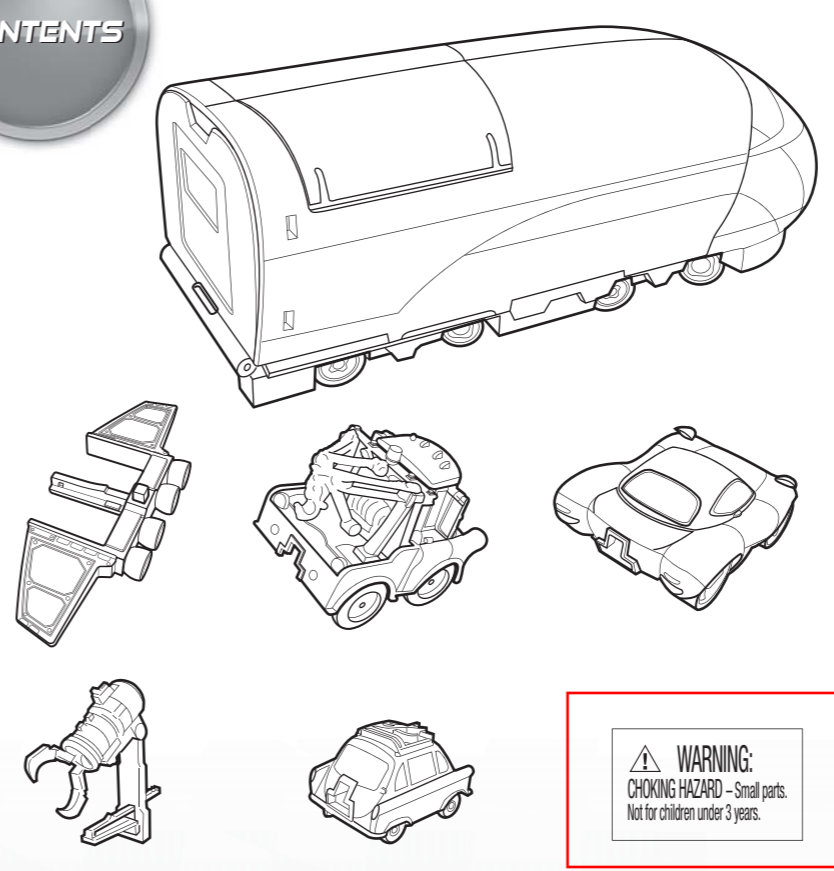


4+

# INSTRUCTIONS

Please keep these instructions for future reference as they contain important information.

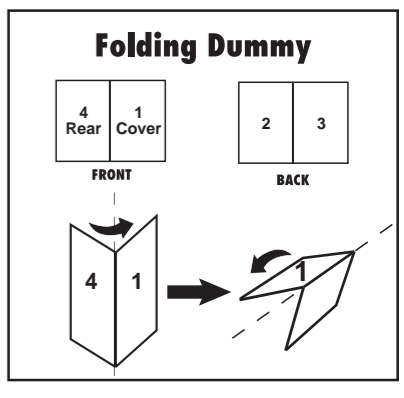
## CONTENTS



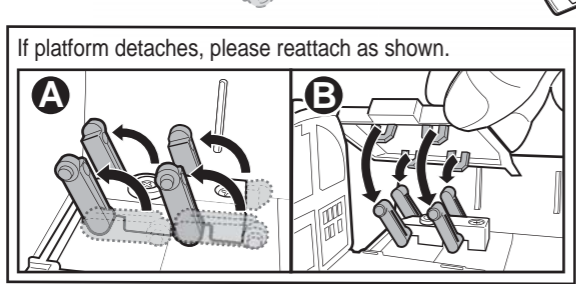
**WARNING:**  
CHOKING HAZARD - Small parts.  
Not for children under 3 years.

© 2010 Mattel, Inc. All Rights Reserved.  
Mattel, Inc., 636 Girard Avenue, East Aurora, NY 14052, U.S.A. Consumer Relations 1-800-524-8697. Mattel U.K. Ltd., Vanwall Business Park, Maidenhead SL6 4UB. Helpline 01628 500303. Mattel Australia Pty., Ltd., Richmond, Victoria. 3121. Consumer Advisory Service - 1300 135 312. Mattel East Asia Ltd., Room 1106, South Tower, World Finance Centre, Harbour City, Tsimshatsui, HK, China. Diimport & Diedarkan Oleh: Mattel SEA Ptd Ltd.(993532-P) Lot 13.5, 13th Floor, Menara Lien Hoe, Persiaran Tropicana Golf Country Resort, 47410 PJ. Tel:03-78803817, Fax:03-78803867.

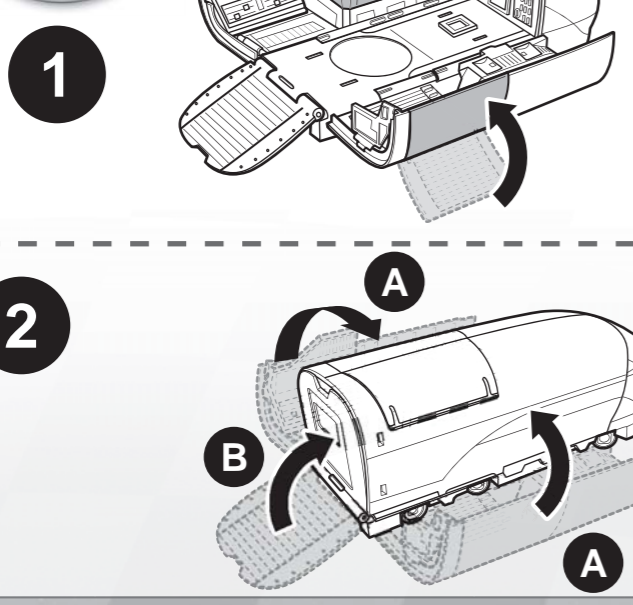
© Disney/Pixar service.mattel.com V2795-0920B



## 6 Drive-through maintenance.



### RESET



### TO PLAY

