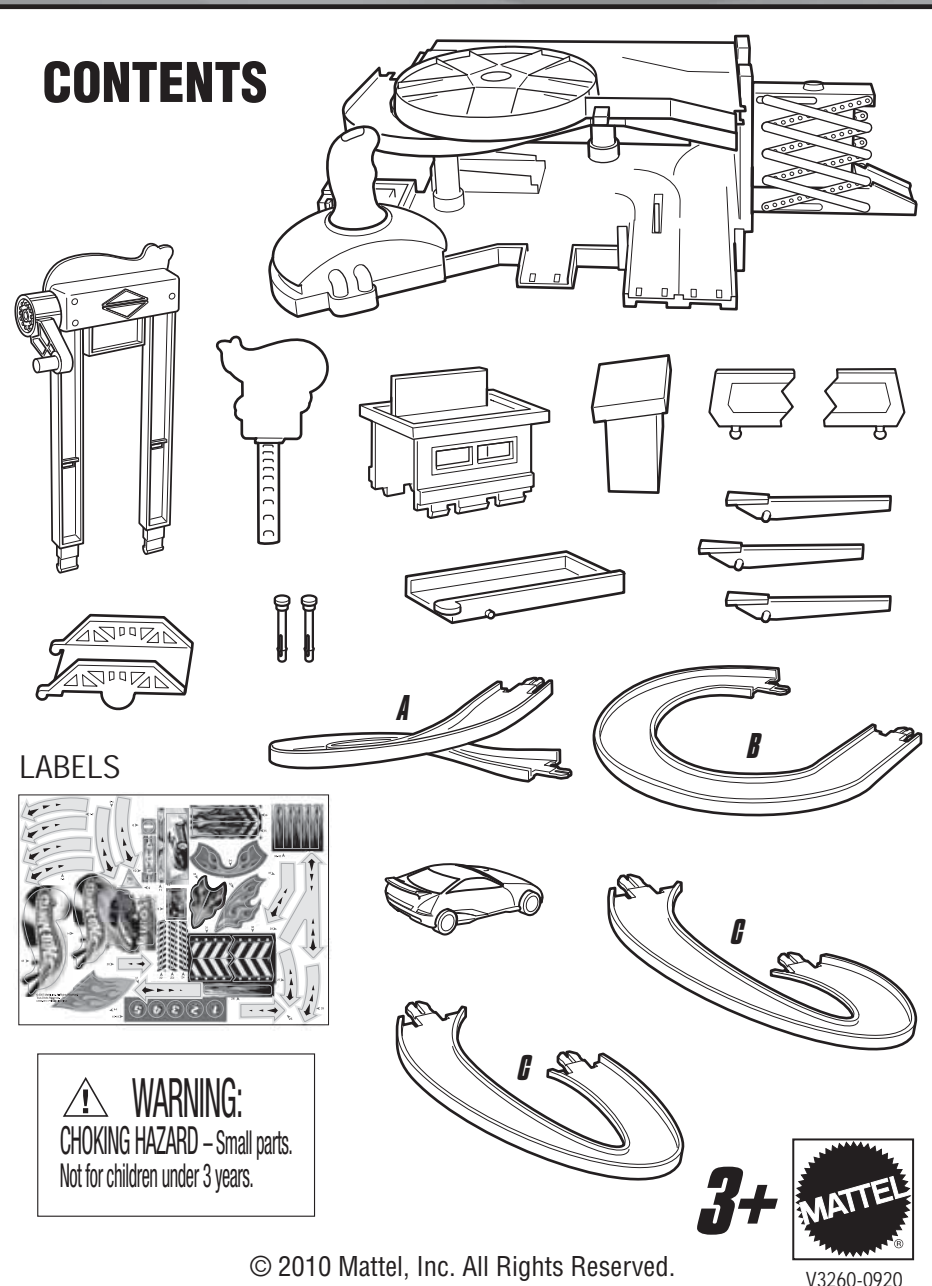


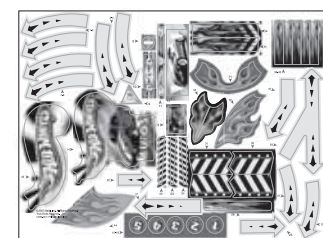
HotWheels INSTRUCTIONS
GARAGE

ADULT ASSEMBLY REQUIRED.

CONTENTS



LABELS



WARNING:
CHOKING HAZARD - Small parts.
Not for children under 3 years.

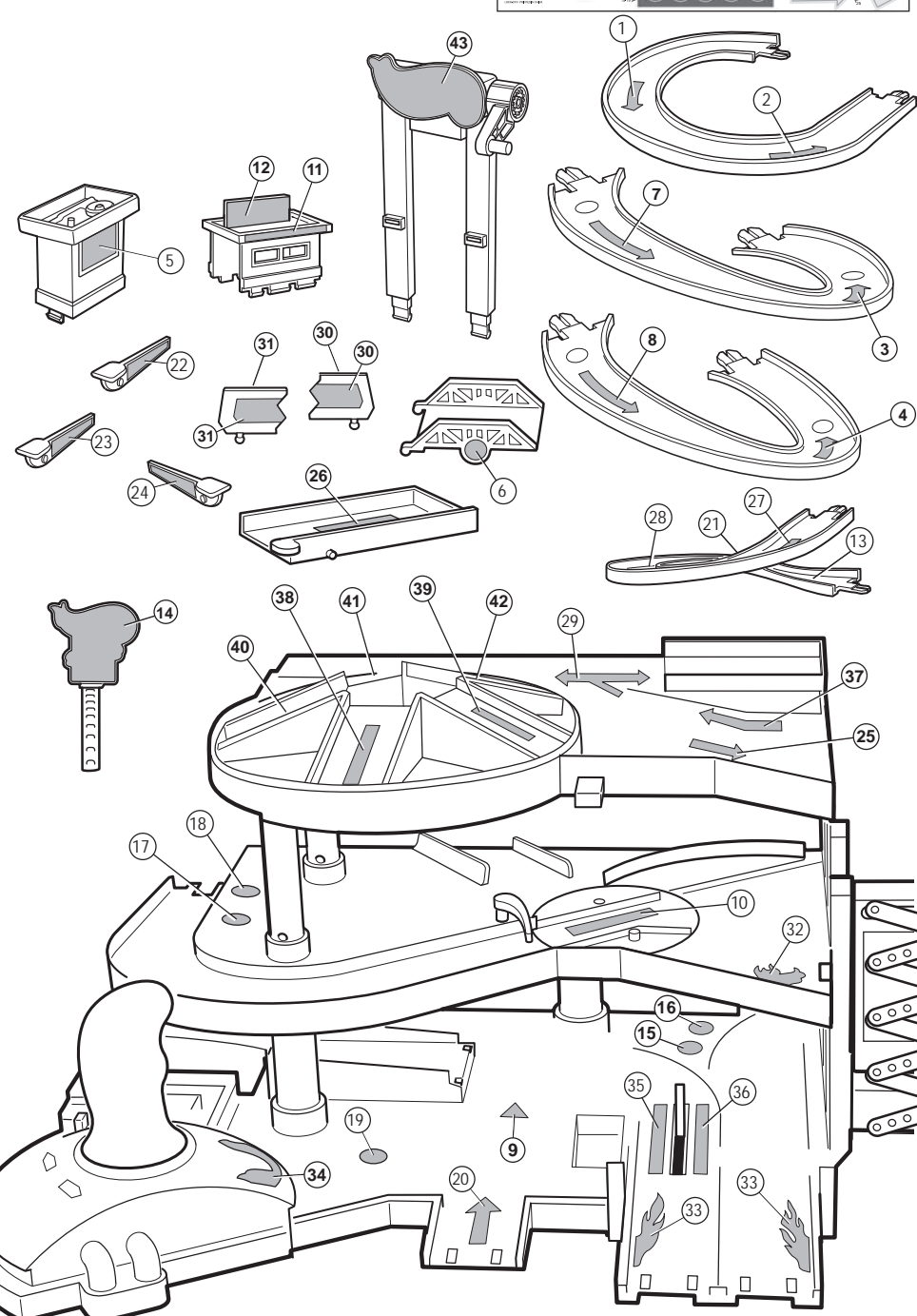


© 2010 Mattel, Inc. All Rights Reserved.

V3266-9720

1. LABELS

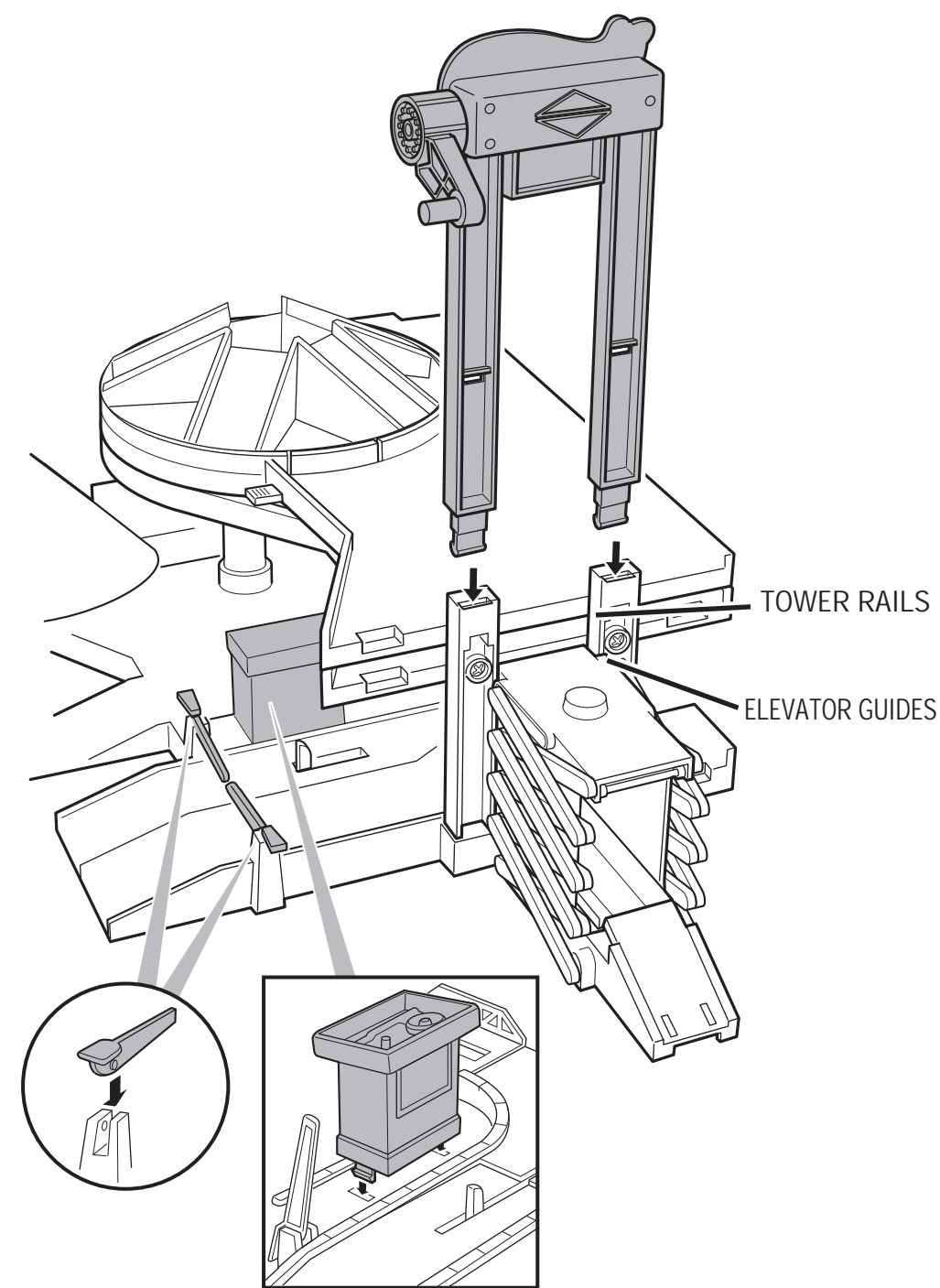
Apply labels by number as shown.



2. ASSEMBLY

Before assembly, remove all tape from elevator platform.

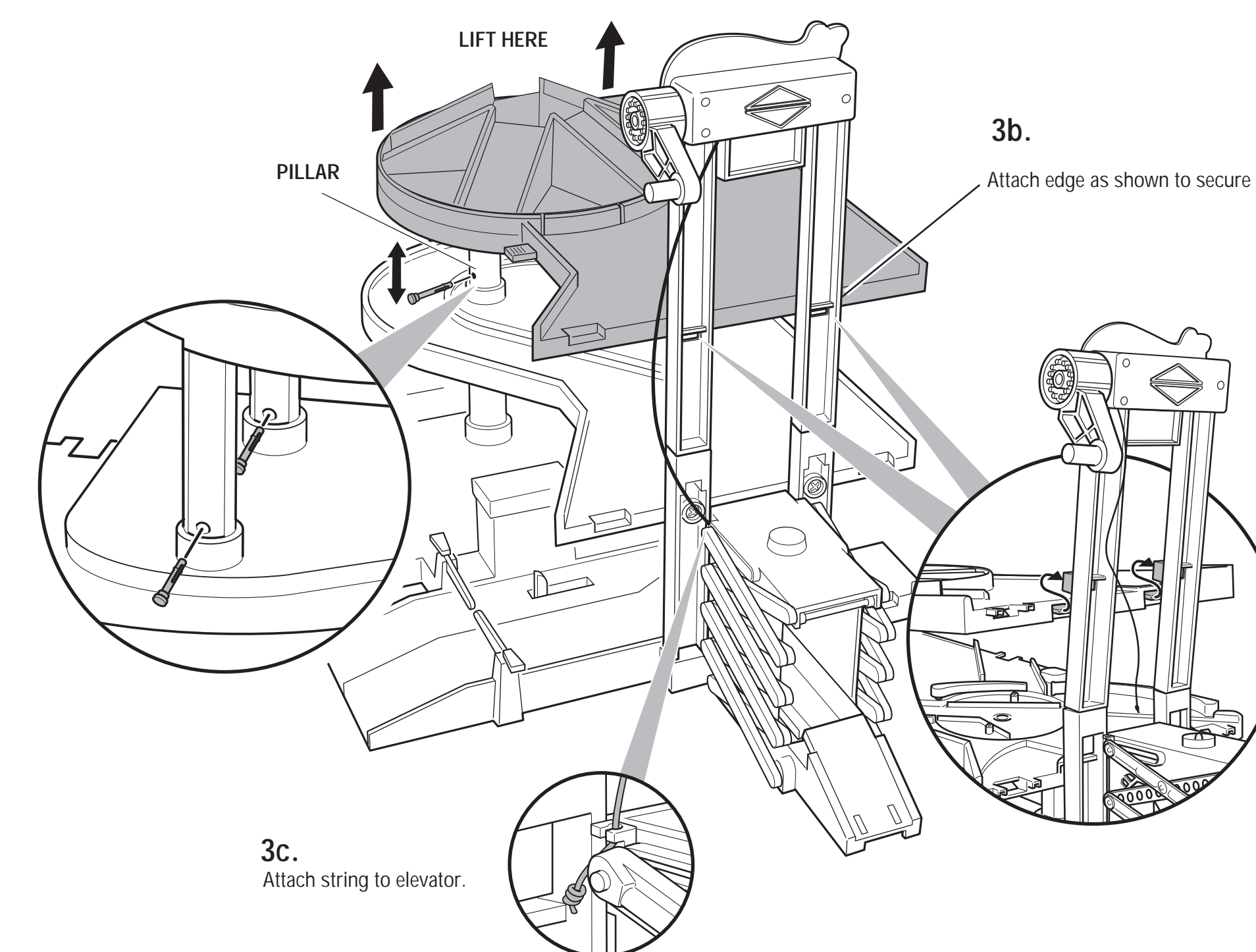
Make sure that the elevator guides are centered over the tower rails.



3.

3a.

Lift edge of top floor to raise pillars and expose pin holes. Insert pins as shown.



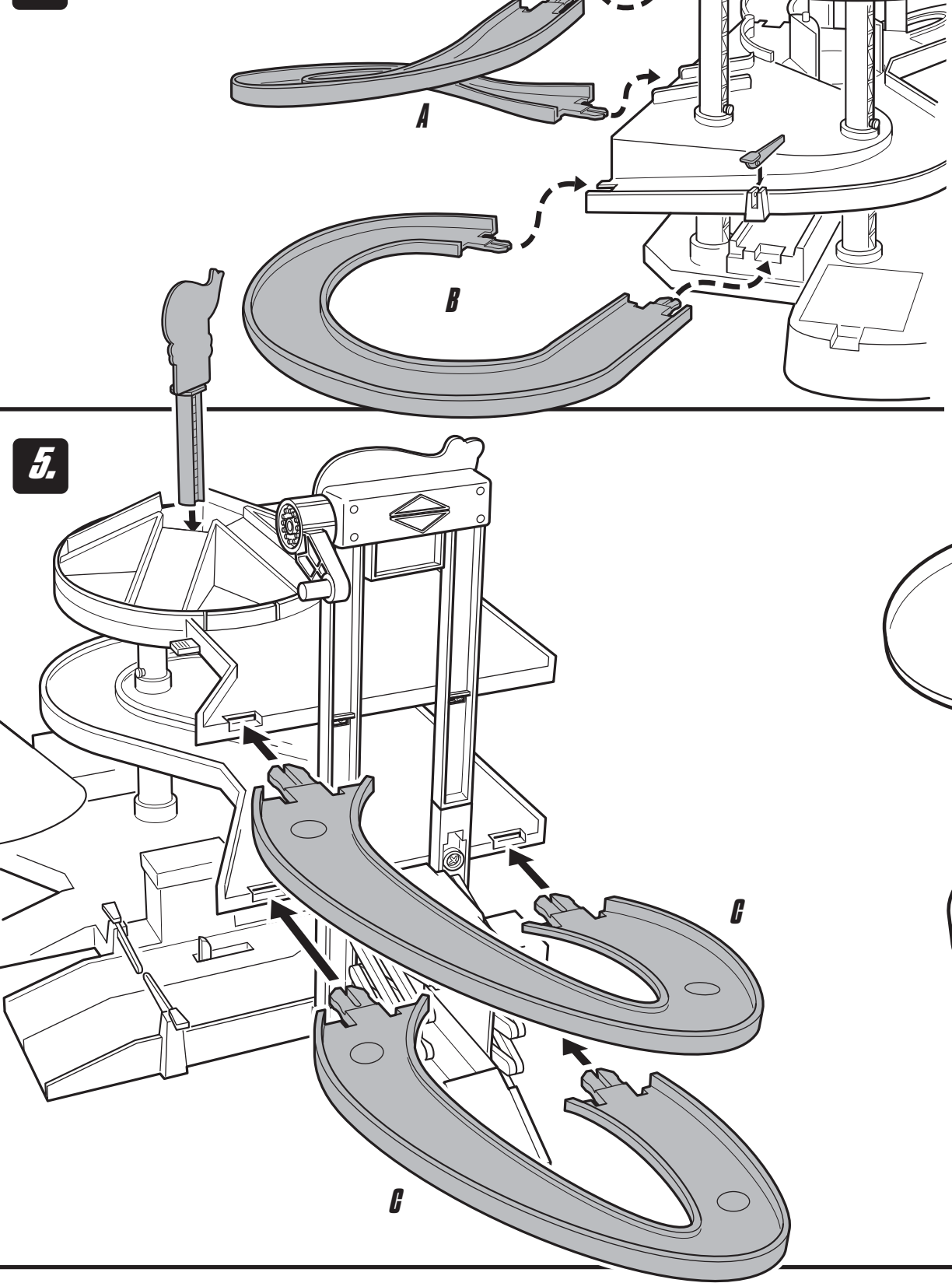
INSTRUCTION SHEET SPECIFICATIONS

Part No.	HotWheels Garage
Part No.	0200
Part No.	27 57 84 9 12 14
Model No.	5 57 84 9 12 14
Part of Part	5 Panel
Color	Black
Material	Black
Part No.	White (Top)
Part No.	70 84

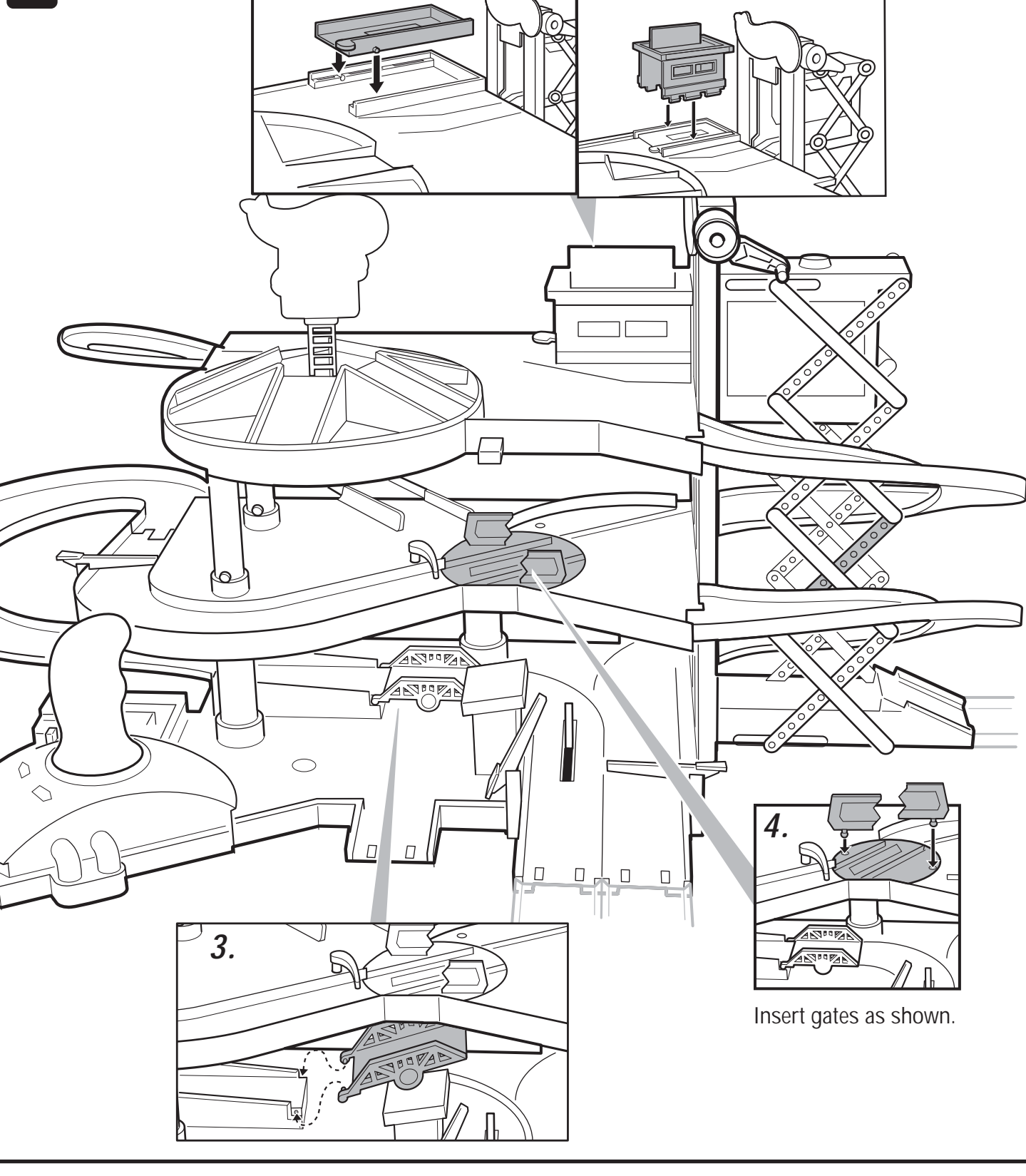
10 PANEL Folding Summary

1	2	3	4	5	6	7	8	9	10
---	---	---	---	---	---	---	---	---	----

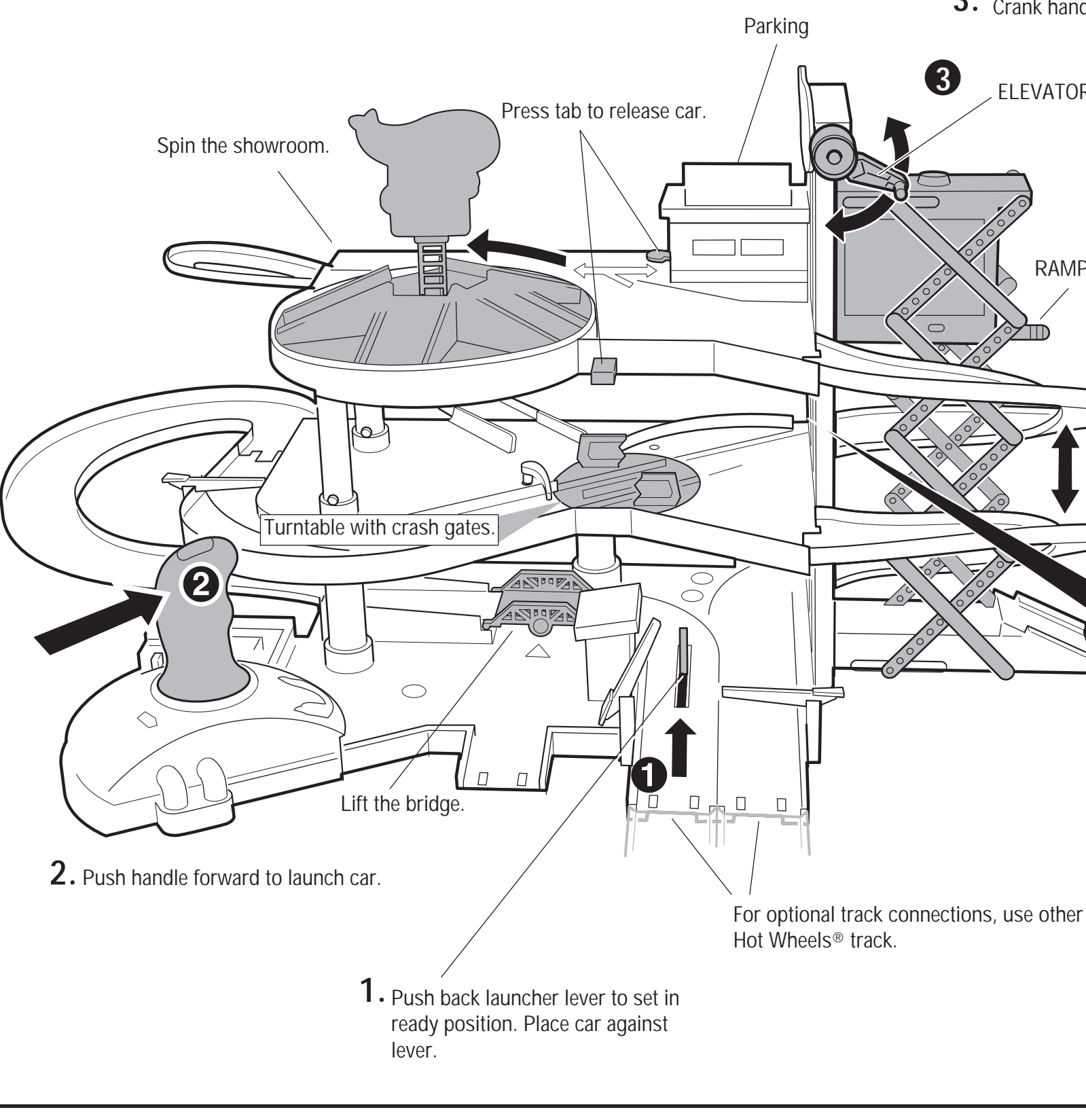
4.



6.



TO PLAY



Mattel, Inc. 636 Girard Avenue, East Aurora, NY 14052, U.S.A.
Consumer Relations 1-800-524-8697. Mattel Canada Inc.,
Mississauga, Ontario L5R 9W2. You may call us free at
1-800-524-8697. Mattel U.K. Ltd., Vanwall Business Park,
Maidenhead SL6 4UB. Helpline 01628 500303. Mattel Australia
Pty. Ltd., Richmond, Victoria. 3121. Consumer Advisory Service -
1300 135 312. Mattel East Asia Ltd., Room 1106, South Tower,
World Finance Centre, Harbour City, Tsimshatsui, HK, China.
Dimport & Diedarkan Oleh: Mattel SEA Ptd Ltd. (993532-P) Lot
13.5, 13th Floor, Menara Lien Hoe, Persiaran Tropicana Golf
Country Resort, 47410 PJ. Tel:03-78803817, Fax:03-78803867.