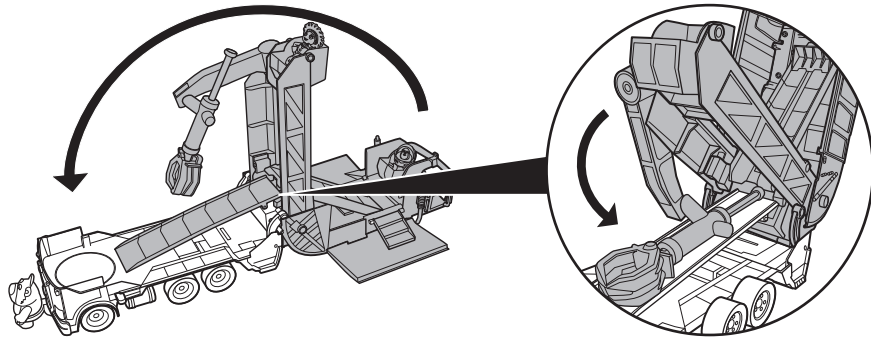


This is a battery-operated product. 1 flyer (00007-1849G6) is required to be placed inside the packaging.

INSTRUCTION SHEET  
SPECIFICATIONS

Toy: TS DUMP TRUCK BUDDY HAULR  
Toy No.: W0083  
Part No.: 0920  
Trim Size: A4  
Folded Size: \_\_\_\_\_  
Type of Fold: \_\_\_\_\_  
# colors: One  
Colors: Black  
Paper Stock: White Offset  
Paper Weight: 70 lb.  
EDM No.: \_\_\_\_\_

STORAGE

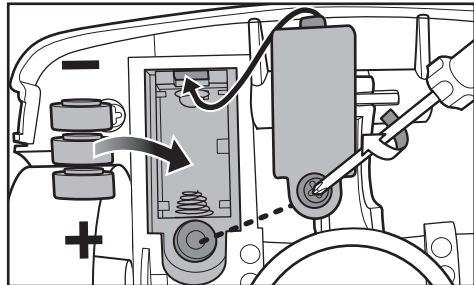


BATTERY INSTALLATION

ADULTS NOTE:

Batteries included are for demonstration purposes only.

- Unscrew the battery cover with a Phillips head screwdriver (not included).
- Remove batteries included for demonstration purposes and dispose of them safely.
- Install 3 new button cell (AG13, LR44) batteries in the orientation (+/-) shown.
- Replace battery cover and tighten screw.
- Replace the batteries if sounds play slowly or distort.



BATTERY SAFETY INFORMATION

In exceptional circumstances batteries may leak fluids that can cause a chemical burn injury or ruin your product. To avoid battery leakage:

- Non-rechargeable batteries are not to be recharged.
- Rechargeable batteries are to be removed from the product before being charged.
- Rechargeable batteries are only to be charged under adult supervision.
- Do not mix alkaline, standard (carbon-zinc), or rechargeable (nickel-cadmium) batteries.
- Do not mix old and new batteries.
- Only batteries of the same or equivalent type as recommended are to be used.
- Batteries are to be inserted with the correct polarity.
- Exhausted batteries are to be removed from the product.
- The supply terminals are not to be short-circuited.
- Dispose of battery(ies) safely.
- Do not dispose of this product in a fire. The batteries inside may explode or leak.



Protect the environment by not disposing of this product with household waste (2002/96/EC). Check your local authority for recycling advice and facilities.



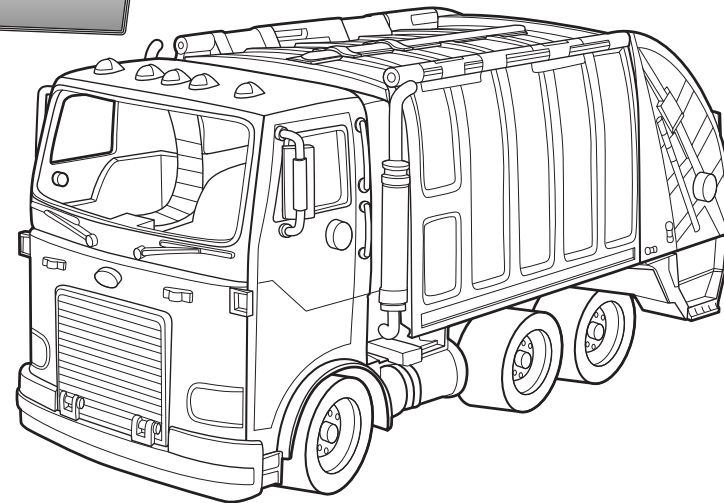
TRANSFORMING GARBAGE TRUCK PLAYSET

4+

INSTRUCTIONS

Please keep these instructions for future reference as they contain important information.

CONTENTS



© 2010 Mattel, Inc. All Rights Reserved.

Mattel, Inc., 636 Girard Avenue, East Aurora, NY 14052, U.S.A. Consumer Relations 1-800-524-8697. Mattel U.K. Ltd., Vanwall Business Park, Maidenhead SL6 4UB. Helpline 01628 500303. Mattel Australia Pty., Ltd., Richmond, Victoria. 3121. Consumer Advisory Service - 1300 135 312. Mattel East Asia Ltd., Room 1106, South Tower, World Finance Centre, Harbour City, Tsimshatsui, HK, China. Diimport & Diedarkan Oleh: Mattel SEA Ptd Ltd.(993532-P) Lot 13.5, 13th Floor, Menara Lien Hoe, Persiaran Tropicana Golf Country Resort, 47410 PJ. Tel:03-78803817, Fax:03-78803867.

W0083-0920

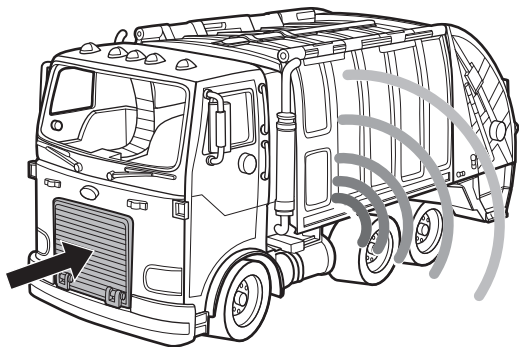


© Disney/Pixar

SERVICE.MATTEL.COM

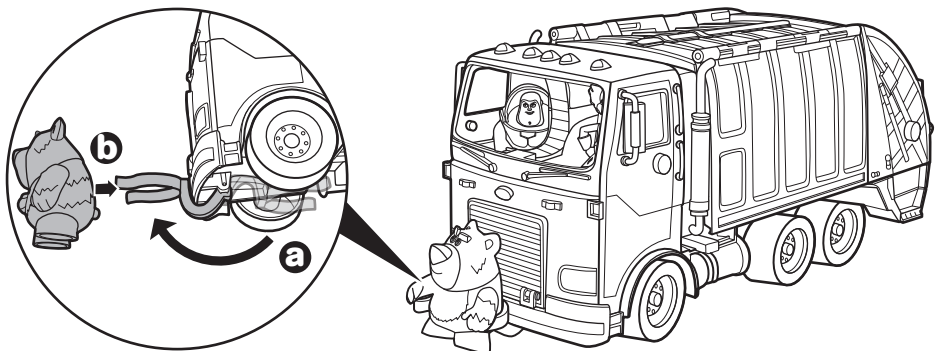
TO PLAY

1.

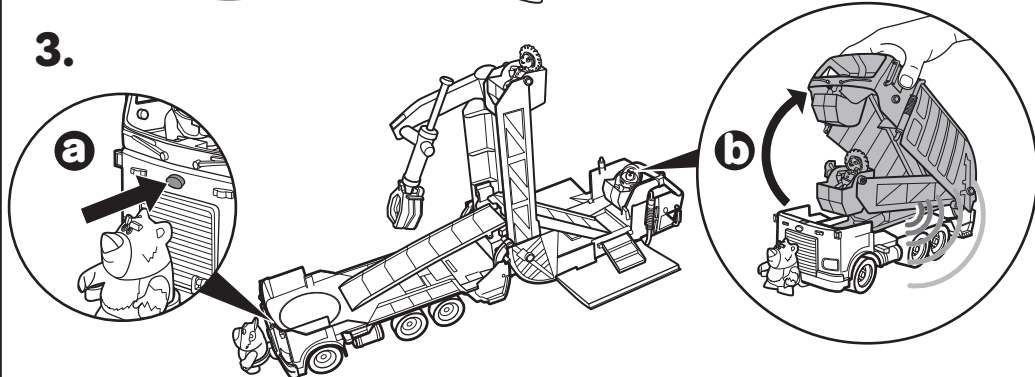


Works with most Buddy Pack figures, not included.

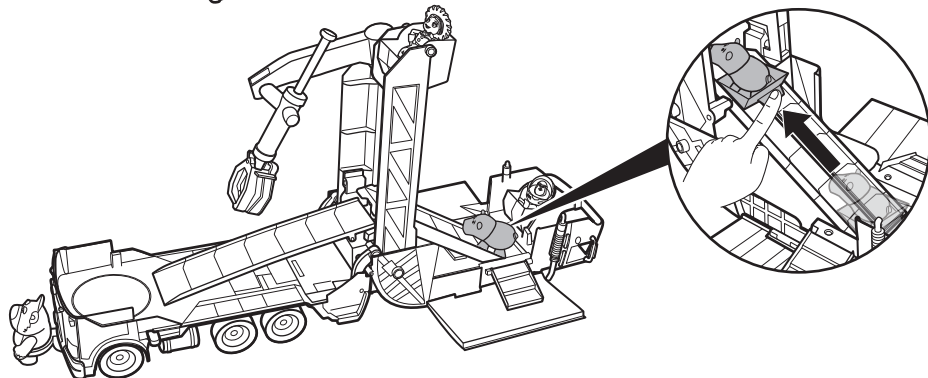
2.



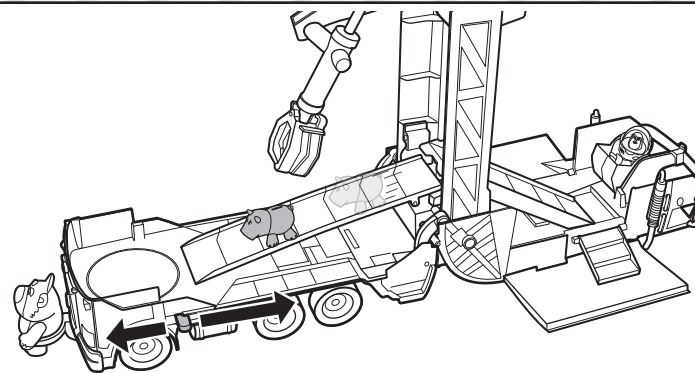
3.



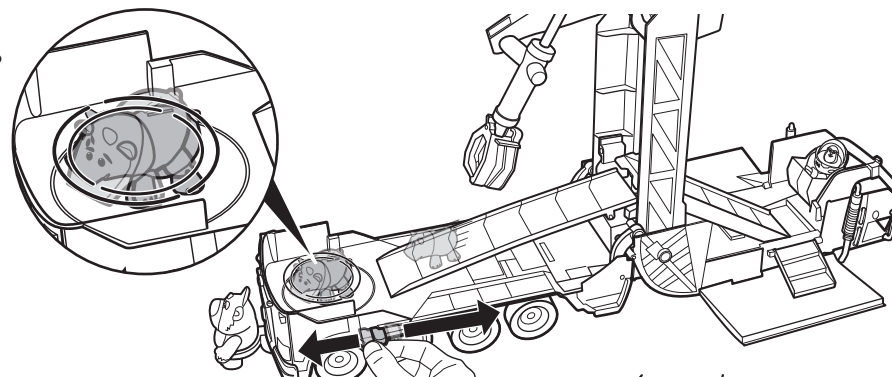
4.



5.

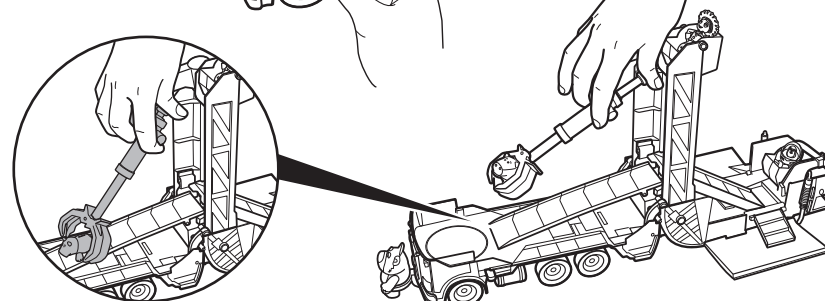


6A.



6B.

1



2

