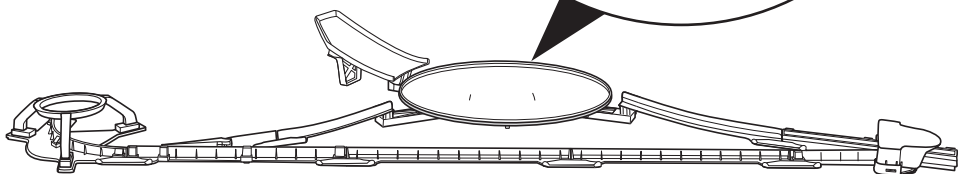
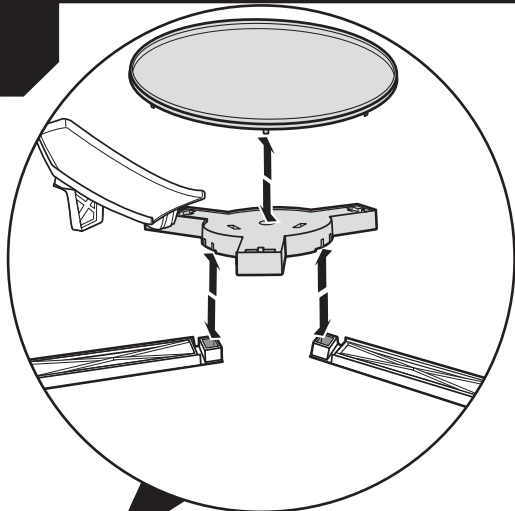
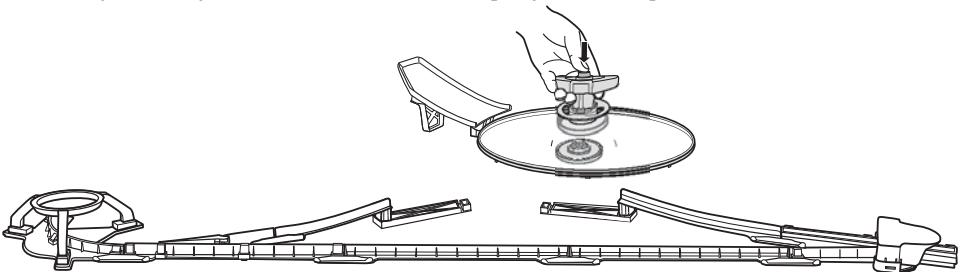


MORE WAYS TO PLAY

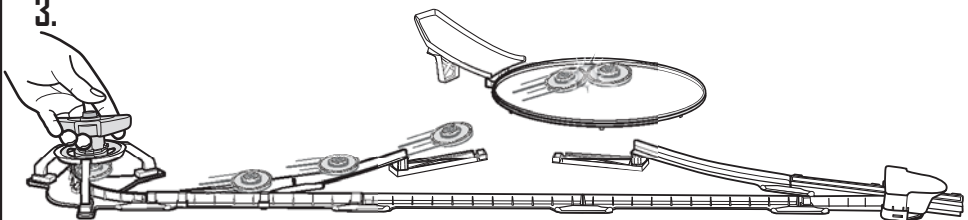
1. Detach spinning platform.



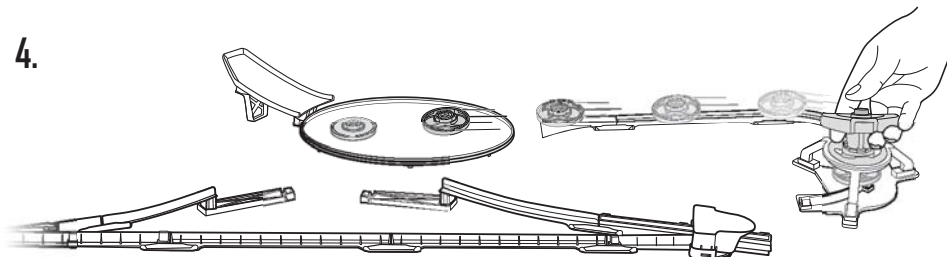
2. Move platform away from track set to increase the challenge. Try different configurations!



3.



4.



NOTE: Spinning platform can be used with other SPINSHOTZ™ sets (not included).



HYPER SPEED SHOWDOWN™

INSTRUCTIONS

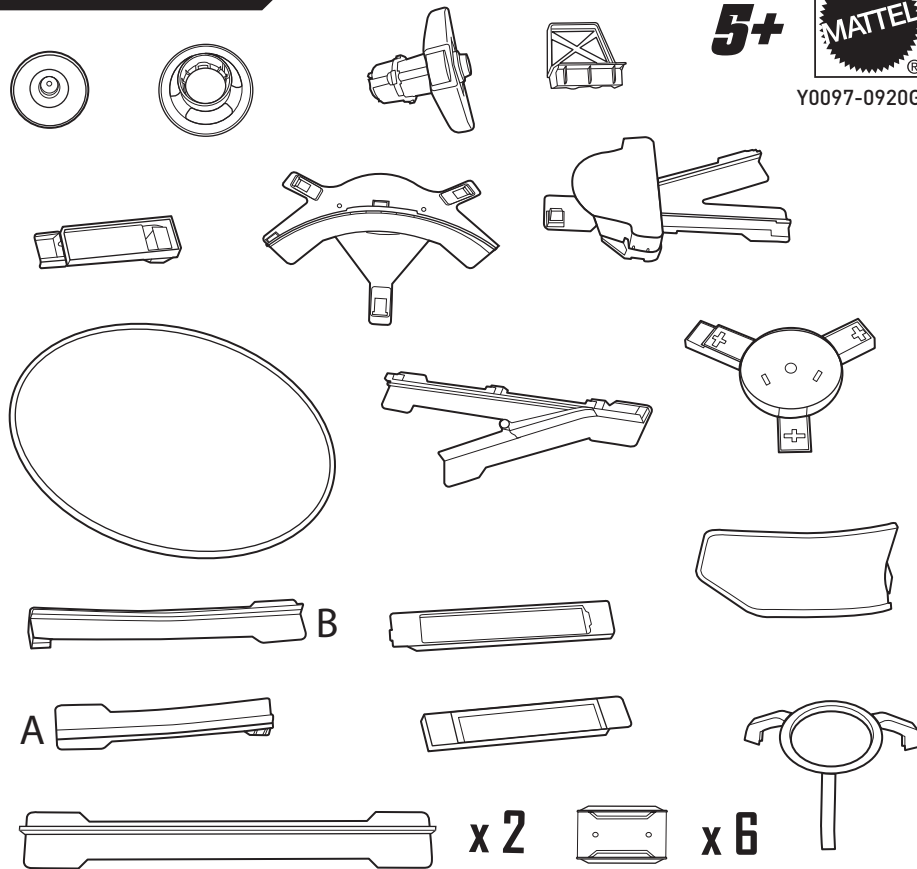
CONTENTS

Please keep these instructions for future reference as they contain important information.

5+



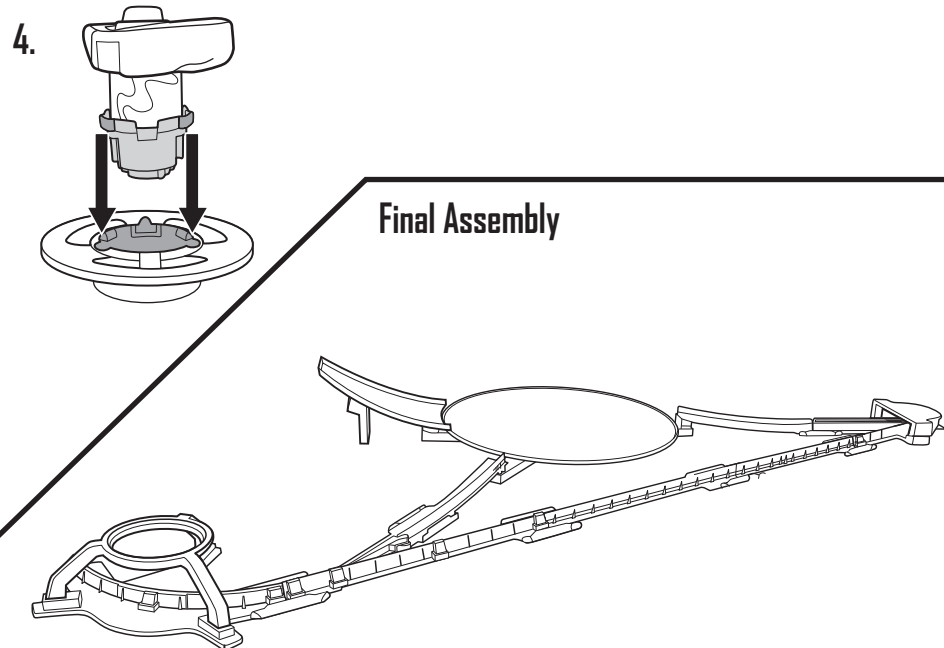
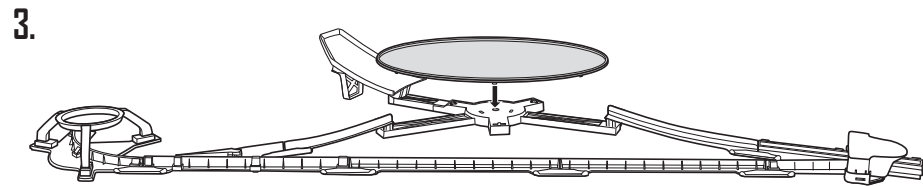
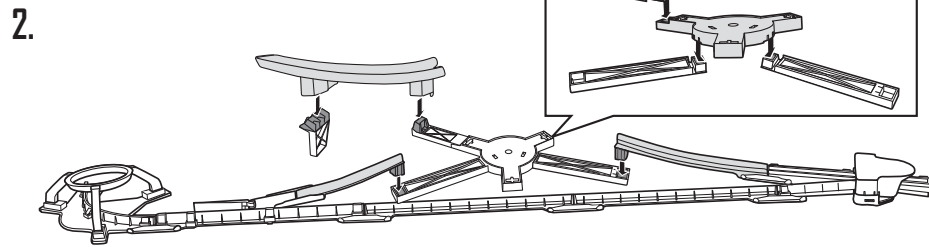
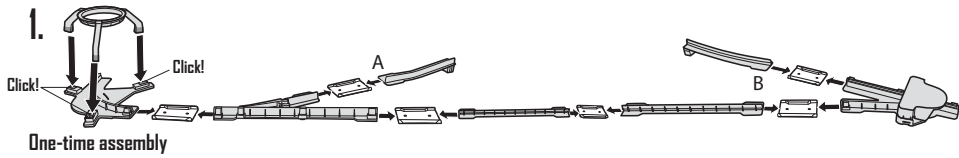
Y0097-0920G1



This product contains a magnet. Do not use around items that are sensitive to or affected by magnetic fields.

©2012 Mattel. All Rights Reserved. Mattel, Inc., 636 Girard Avenue, East Aurora, NY 14052, U.S.A. Consumer Relations 1-800-524-8697. • Mattel Canada Inc., Mississauga, Ontario L5R 3W2. You may call us free at 1-800-524-8697. • Mattel U.K. Ltd., Vanwall Business Park, Maidenhead SL6 4UB. Helpline 01628 500303. • Mattel Australia Pty., Ltd., Richmond, Victoria. 3121. Consumer Advisory Service - 1300 135 312 Mattel East Asia Ltd., Room 1106, South Tower, World Finance Centre, Harbour City, Tsimshatsui, HK, China. • Diimport & Diedarkan Oleh: Mattel SEA Ptd Ltd. (993532-P) Lot 13.5, 13th Floor, Menara Lien Hoe, Persiaran Tropicana Golf Country Resort, 47410 PJ. Tel:03-78803817, Fax:03-78803867. service.mattel.com

ASSEMBLY



TO PLAY

1.

