

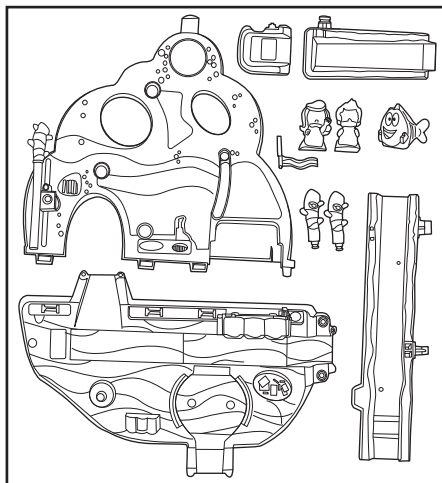


Swim-sational School

INSTRUCTIONS

Keep these instructions for future reference as they contain important information.

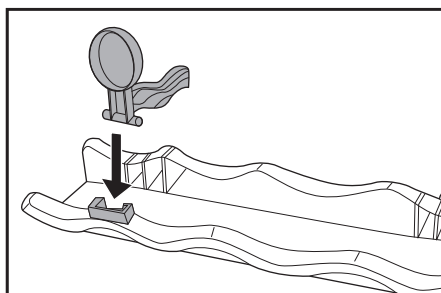
ASSEMBLY



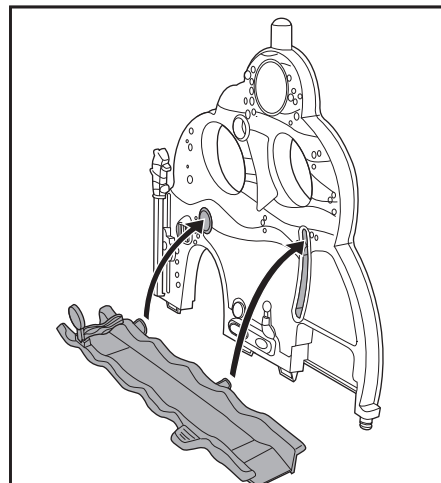
PARTS

ADULT ASSEMBLY REQUIRED.

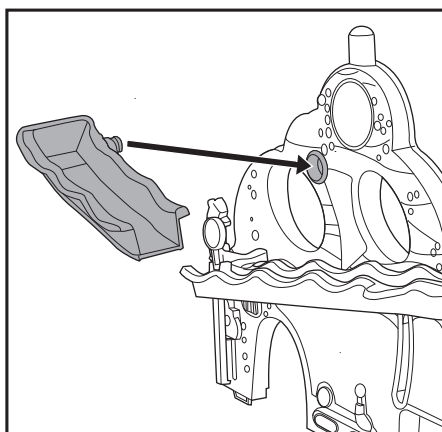
No tool required for assembly.



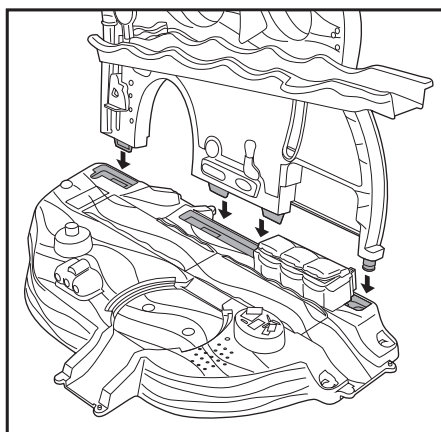
1



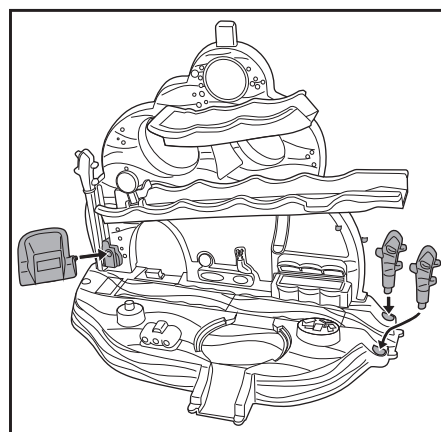
2



3



4



5

© 2013 Viacom International Inc. All Rights Reserved.
 Nickelodeon, Nick Jr., Nickelodeon Bubble Guppies and all related titles, logos and characters are trademarks of Viacom International Inc.

©2013 Mattel. All Rights Reserved.
 ® and ™ designate U.S. trademarks of Mattel, except as noted.
PRINTED IN CHINA.
 Mattel East Asia Ltd., Room 1106, South Tower,
 World Finance Centre, Harbour City, Tsimshatsui, HK, China.

CONSUMER ASSISTANCE
 1-800-432-5437 (US & Canada)
 1300 135 312 (Australia)

service.fisher-price.com

Fisher-Price, Inc., 636 Girard Avenue, East Aurora, NY 14052.
 Hearing-impaired consumers: 1-800-382-7470.

Outside the United States:

Canada: Mattel Canada Inc., 6155 Freemont Blvd.,
 Mississauga, Ontario L5R 3W2; www.service.mattel.com.

Great Britain: Mattel UK Ltd, Vanwall Business Park,
 Maidenhead SL6 4UB. Helpline: 01628 500303.
 www.service.mattel.com/uk

Mattel Europa B.V., Gondel 1, 1186 MJ Amstelveen, Nederland.

Australia: Mattel Australia Pty. Ltd., 658 Church Street,
 Locked Bag #870, Richmond, Victoria 3121 Australia.

New Zealand: 16-18 William Pickering Drive,
 Albany 1331, Auckland.

BGM73/Y1298



NickJr.com

ID. Y1298-0920