



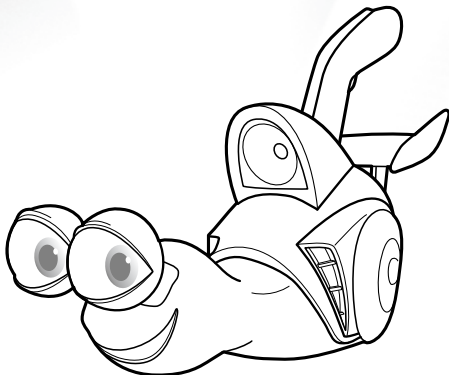
LIGHT UP & GO™ INSTRUCTIONS

3+

DREAMWORKS
TURBO
RACING TEAM

Please keep these instructions for future reference as they contain important information.

CONTENTS

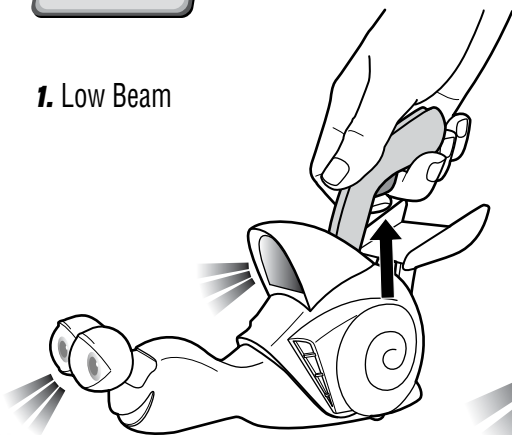


TO PLAY

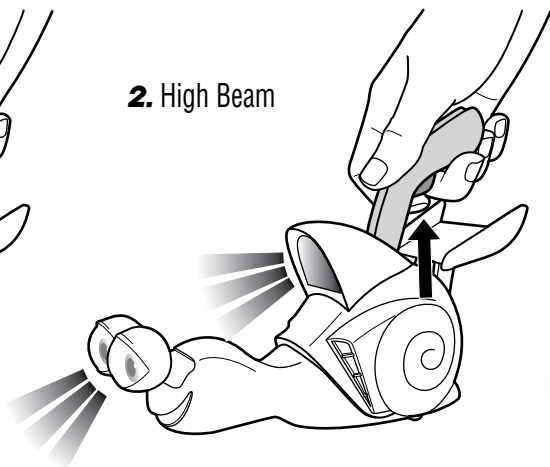
Pull trigger and hold to turn lights on.

To switch between Low Beam and High Beam, release the trigger, then pull and hold again.

1. Low Beam



2. High Beam



©2012 Mattel. All Rights Reserved. Mattel, Inc., 636 Girard Avenue, East Aurora, NY 14052, U.S.A. Consumer Relations 1-800-524-8697. Mattel U.K. Ltd., Vanwall Business Park, Maidenhead SL6 4UB. Helpline 01628 500303. Mattel Australia Pty., Ltd., Richmond, Victoria. 3121. Consumer Advisory Service - 1300 135 312. Mattel East Asia Ltd., Room 1106, South Tower, World Finance Centre, Harbour City, Tsimshatsui, HK, China. Diimport & Diedarkan Oleh: Mattel SEA Ptd Ltd. (993532-P) Lot 13.5, 13th Floor, Menara Lien Hoe, Persiaran Tropicana Golf Country Resort, 47410 PJ. Tel:03-78803817, Fax:03-78803867.

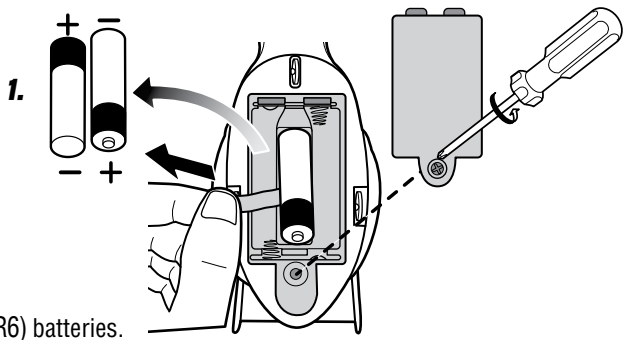
DreamWorks Turbo © 2013 DreamWorks Animation L.L.C.

service.mattel.com

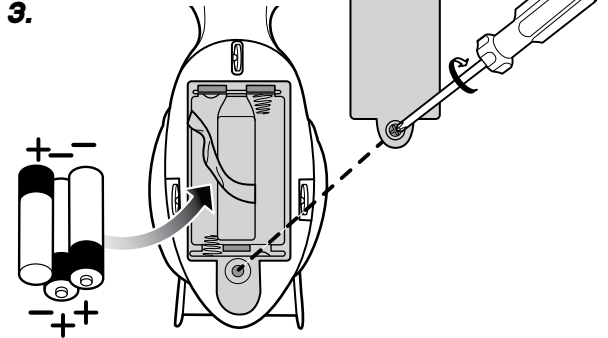
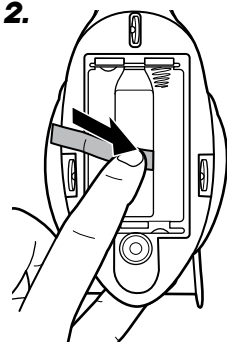
Y5812-0920



BATTERY INSTALLATION



Requires 3 'AA' (LR6) batteries.



Batteries included are for demonstration purposes only. Replace the batteries if lights dim. Unscrew the battery cover with a Phillips head screwdriver (not included). Pull ribbon to remove batteries and dispose of them safely. Push ribbon back down to the bottom of the battery compartment. Install 3 new AA (LR6) batteries in the orientation (+/-) shown. Replace battery cover and tighten screw. For longer life use only alkaline batteries.

BATTERY SAFETY INFORMATION

In exceptional circumstances batteries may leak fluids that can cause a chemical burn injury or ruin your product. To avoid battery leakage:

- Non-rechargeable batteries are not to be recharged.
- Rechargeable batteries are to be removed from the product before being charged.
- Rechargeable batteries are only to be charged under adult supervision.
- Do not mix alkaline, standard (carbon-zinc), or rechargeable (nickel-cadmium) batteries.
- Do not mix old and new batteries.
- Only batteries of the same or equivalent type as recommended are to be used.
- Batteries are to be inserted with the correct polarity.
- Exhausted batteries are to be removed from the product.
- The supply terminals are not to be short-circuited.
- Dispose of battery(ies) safely.
- Do not dispose of this product in a fire. The batteries inside may explode or leak.



Protect the environment by not disposing of this product with household waste (2002/96/EC). Check your local authority for recycling advice and facilities.