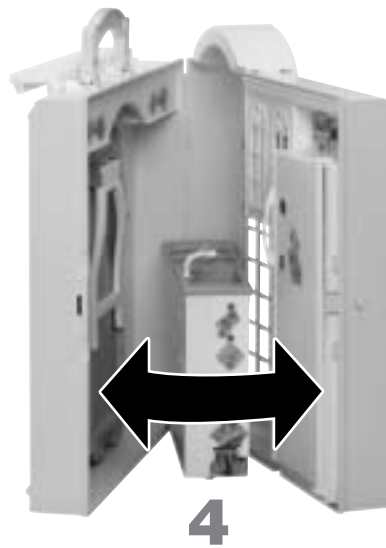
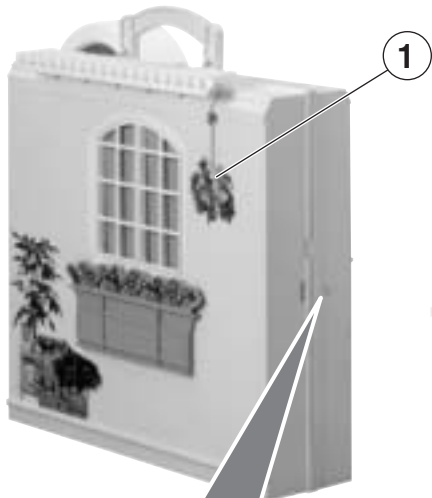
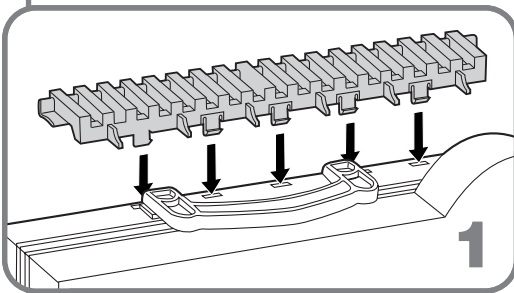
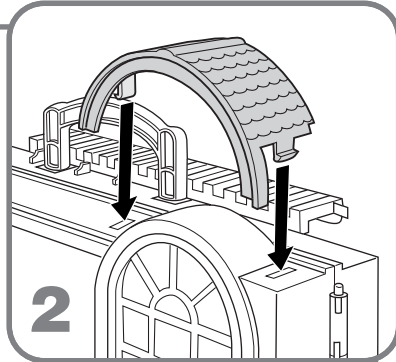
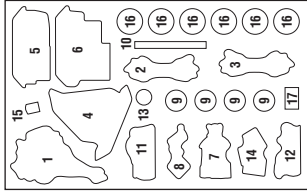
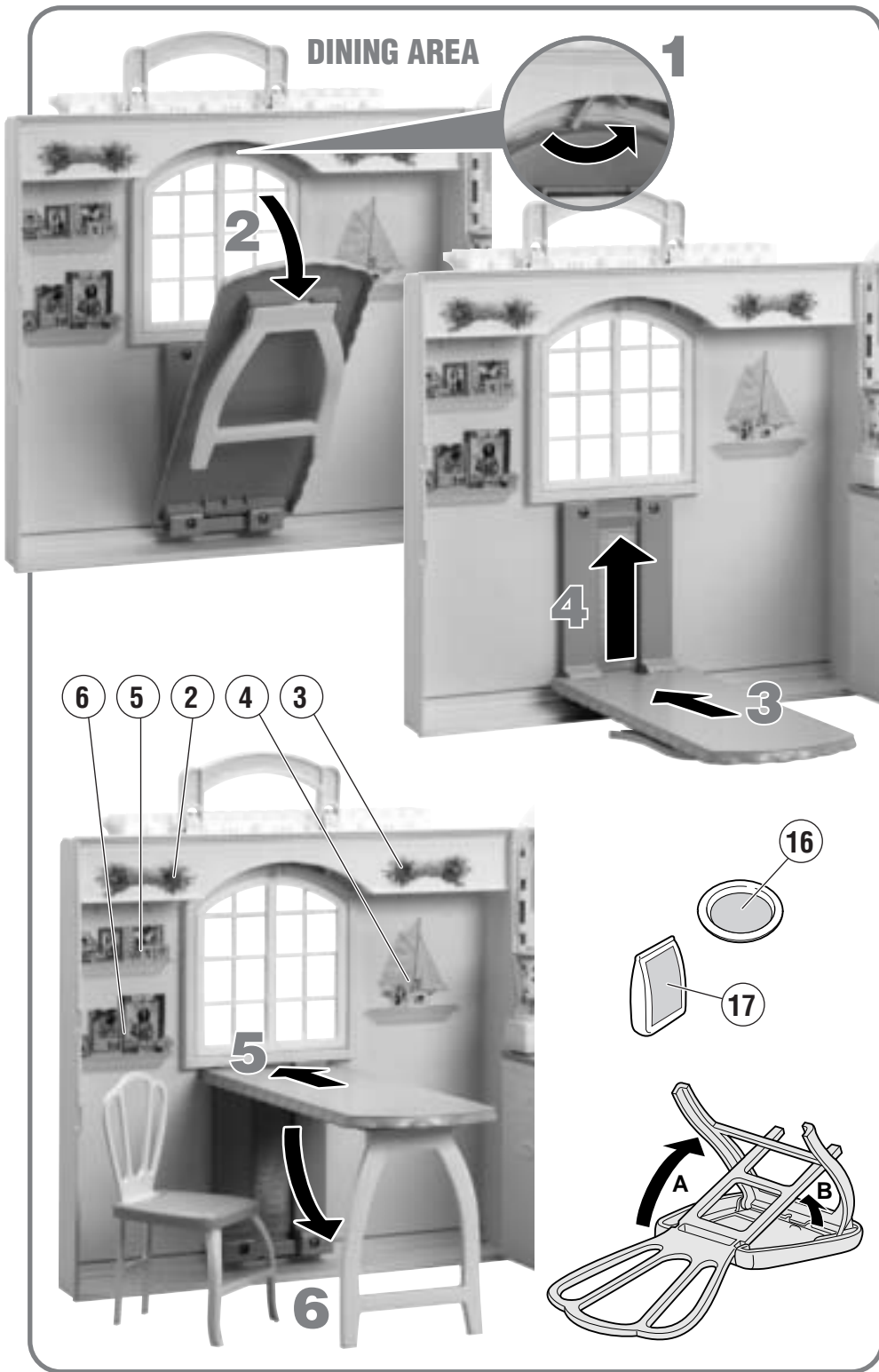
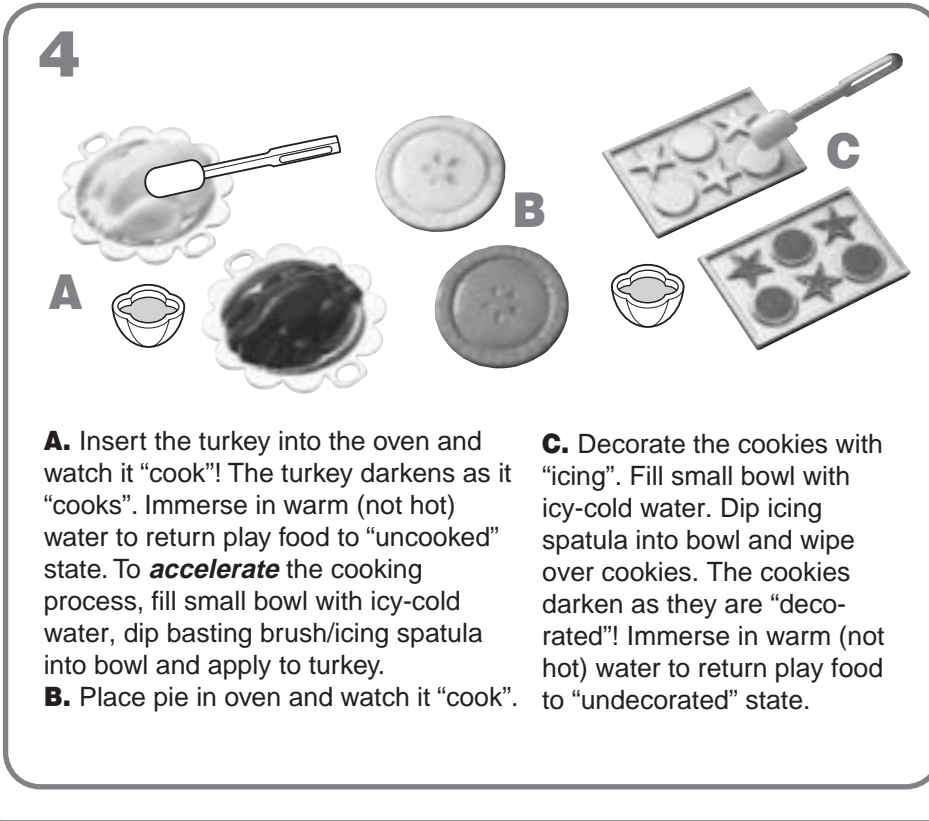
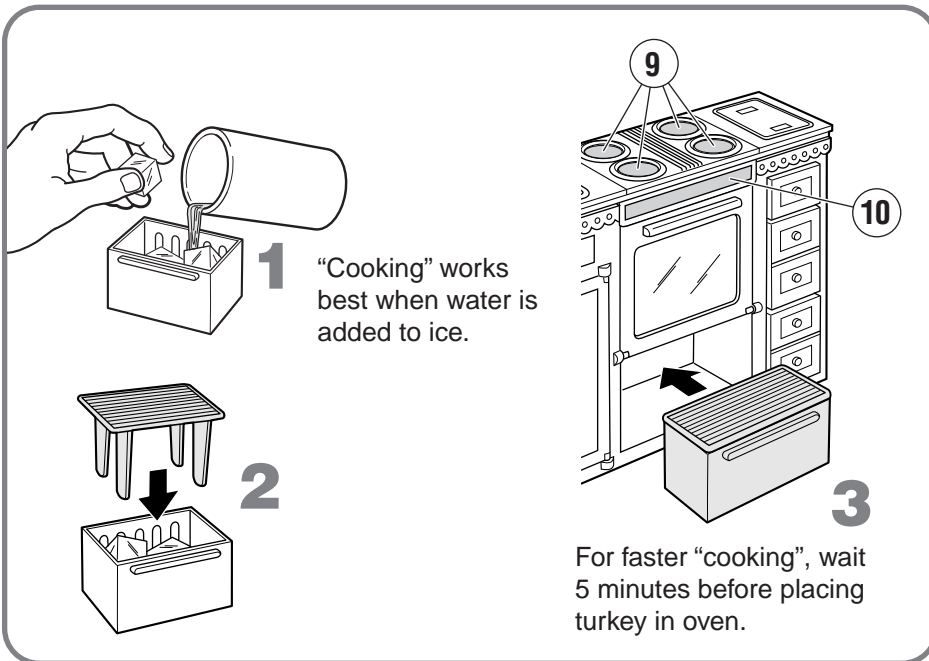


ASSEMBLY

Apply labels by number **1** as shown.

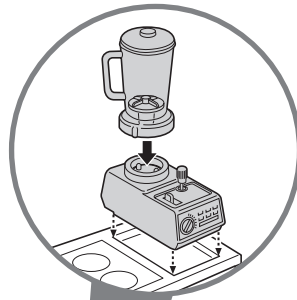






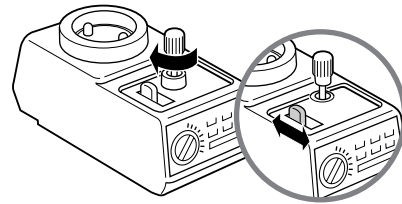
A. Do not u
B. Water to
C. Drain/rin

KITCHEN AREA

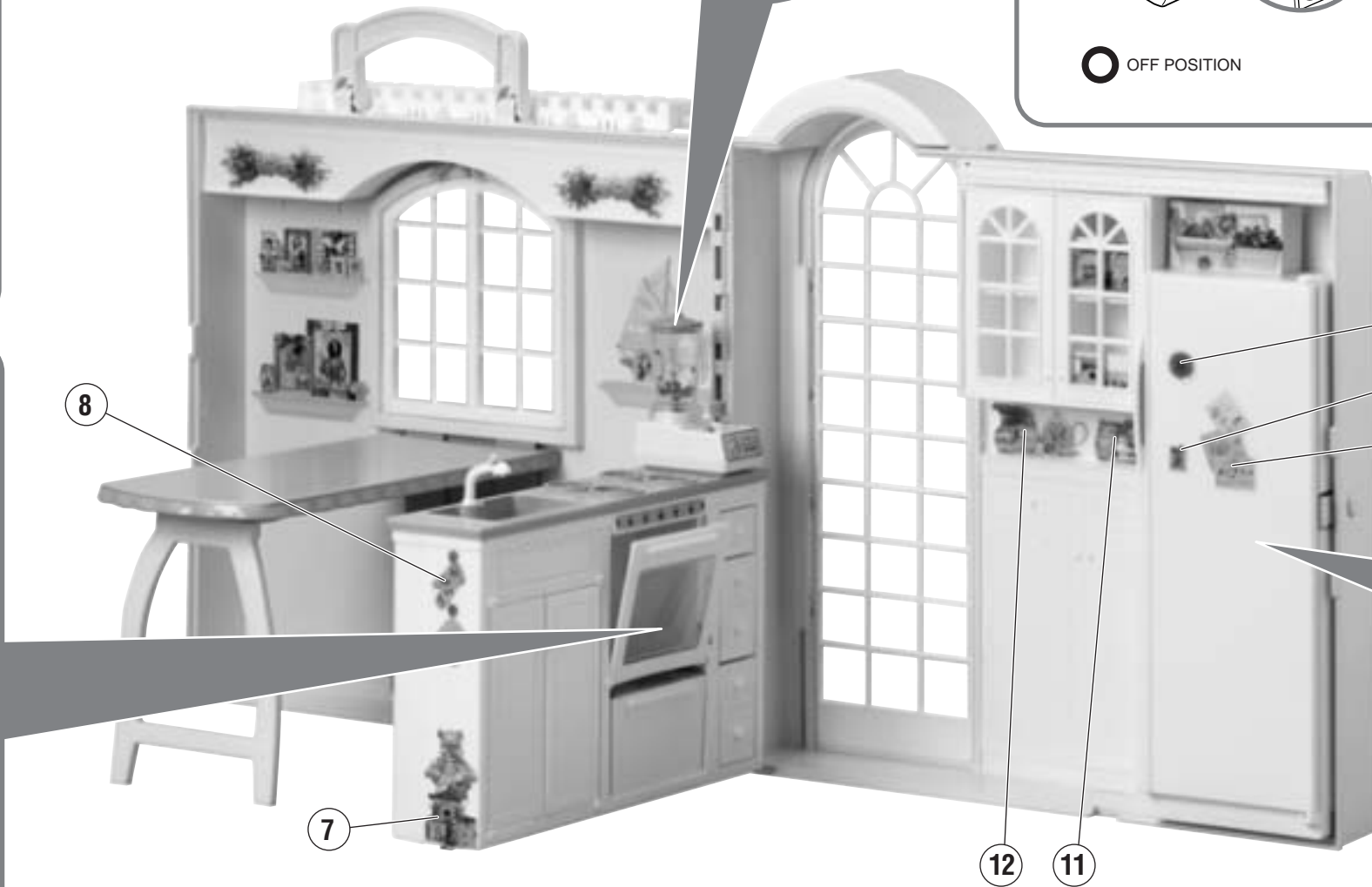


BLENDER

To wind up motor, twist knob clockwise until it stops.

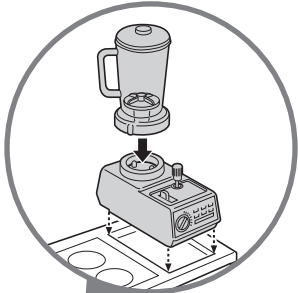


○ OFF POSITION



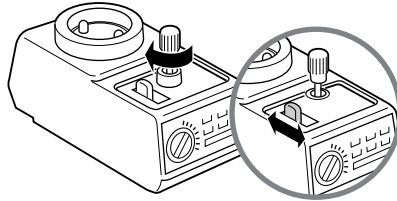
- A. Do not use on surfaces that can be damaged by water.
- B. Water toys sometimes get messy. Protect play areas before use.
- C. Drain/rinse/clean/dry all items thoroughly before storing.

IMPORTANT: Color change will last longer if you DO NOT expose this toy to intense direct sunlight for prolonged periods of time.

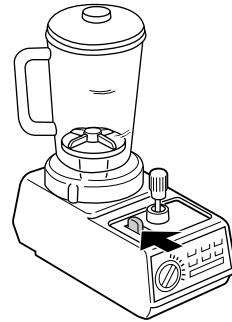


BLENDER

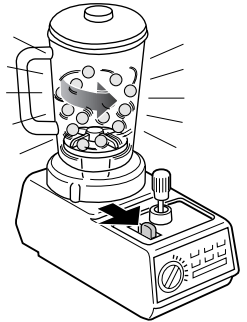
To wind up motor, twist knob clockwise until it stops.



○ OFF POSITION



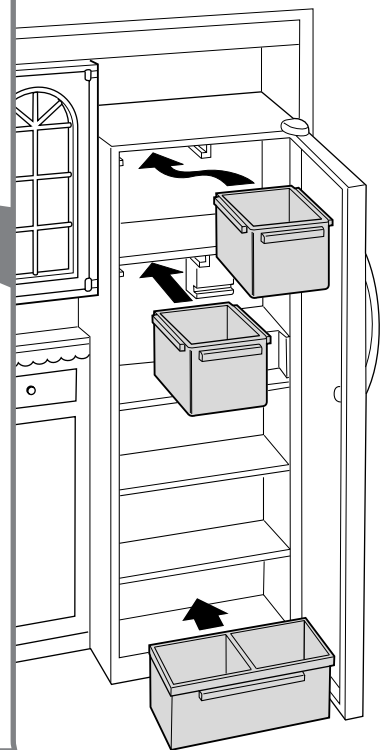
○ OFF POSITION



— ON POSITION



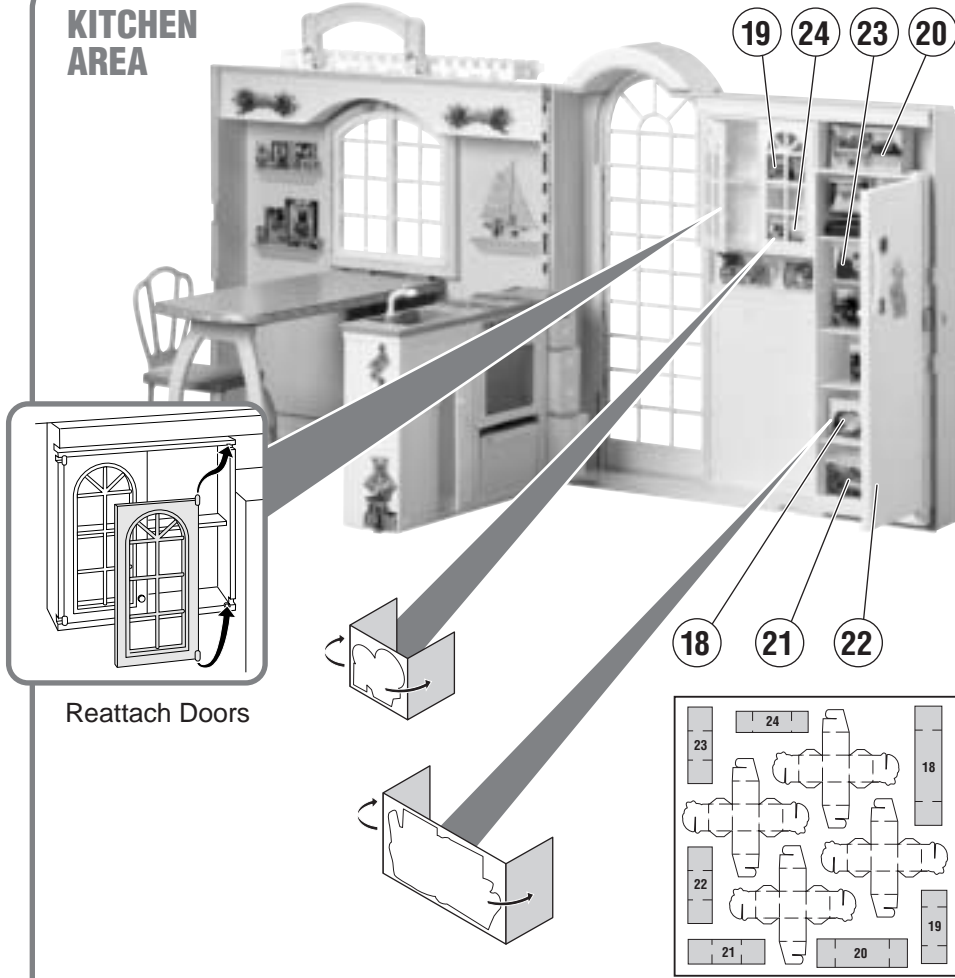
REFRIGERATOR



ed by water.
lay areas before use.
efore storing.

IMPORTANT: Color change will last longer if you DO NOT expose this toy to intense heat or direct sunlight for prolonged periods of time.

KITCHEN AREA

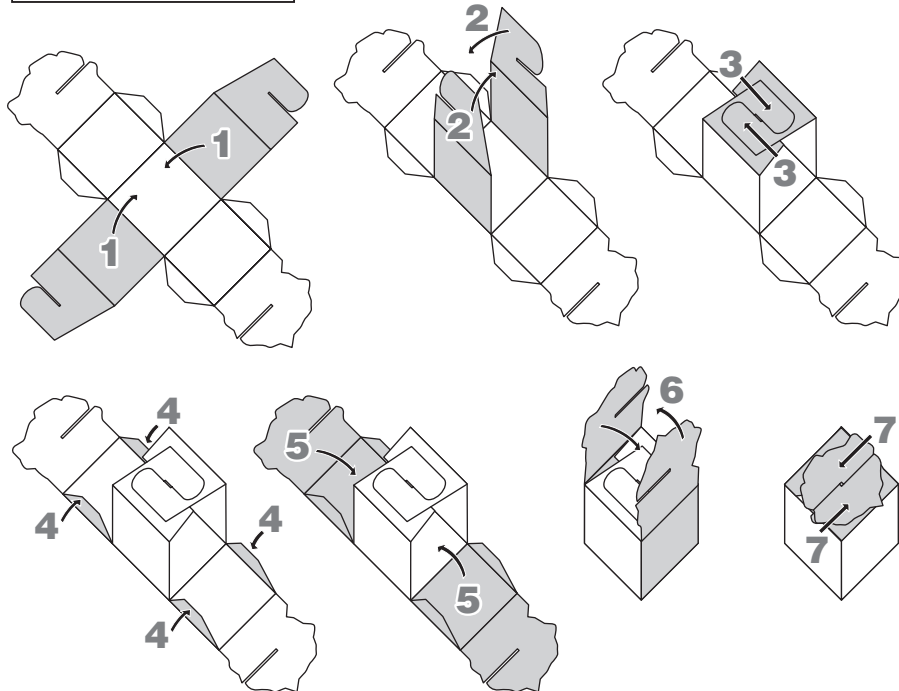
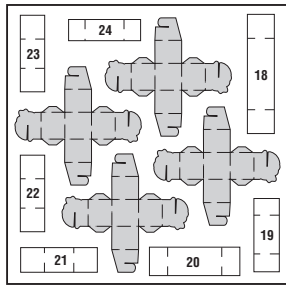


Reattach Doors

OUTDOOR AREA



ASSEMBLE BOXES



CONSUMER INFORMATION

YOU CAN TELL IT'S MATTEL!™ CALL us toll-free or write with any comments or questions about our products or service. Monday-Friday 8:00 a.m.-6:00 p.m. Eastern Time. Outside U.S.A., see telephone directory for Mattel listing.

Consumer Relations, Mattel, Inc.
333 Continental Blvd.
El Segundo, CA 90245 USA

1 (800) 524-TOYS

WE ARE DEDICATED TO QUALITY PRODUCTS.

Retain this address for future reference:

Mattel Canada Inc., Mississauga, Ontario L5R 3W2.

You may call us free at 1-800-665-6288.

Mattel U.K. Ltd., Vanwall Business Park, Maidenhead SL6 4UB.

Helpline 01628500303.

Mattel Australia Pty., Ltd., Richmond, Victoria. 3121.

Consumer Advisory Service - 1300 135 312.

Mattel East Asia Ltd, Room 1106, South Tower, World Finance

Centre, Harbour City, Tsimshatsui, HK, China. Diimport &

Diedarkan Oleh: Mattel SEA Ptd Ltd.(993532-P) Lot 13.5, 13th

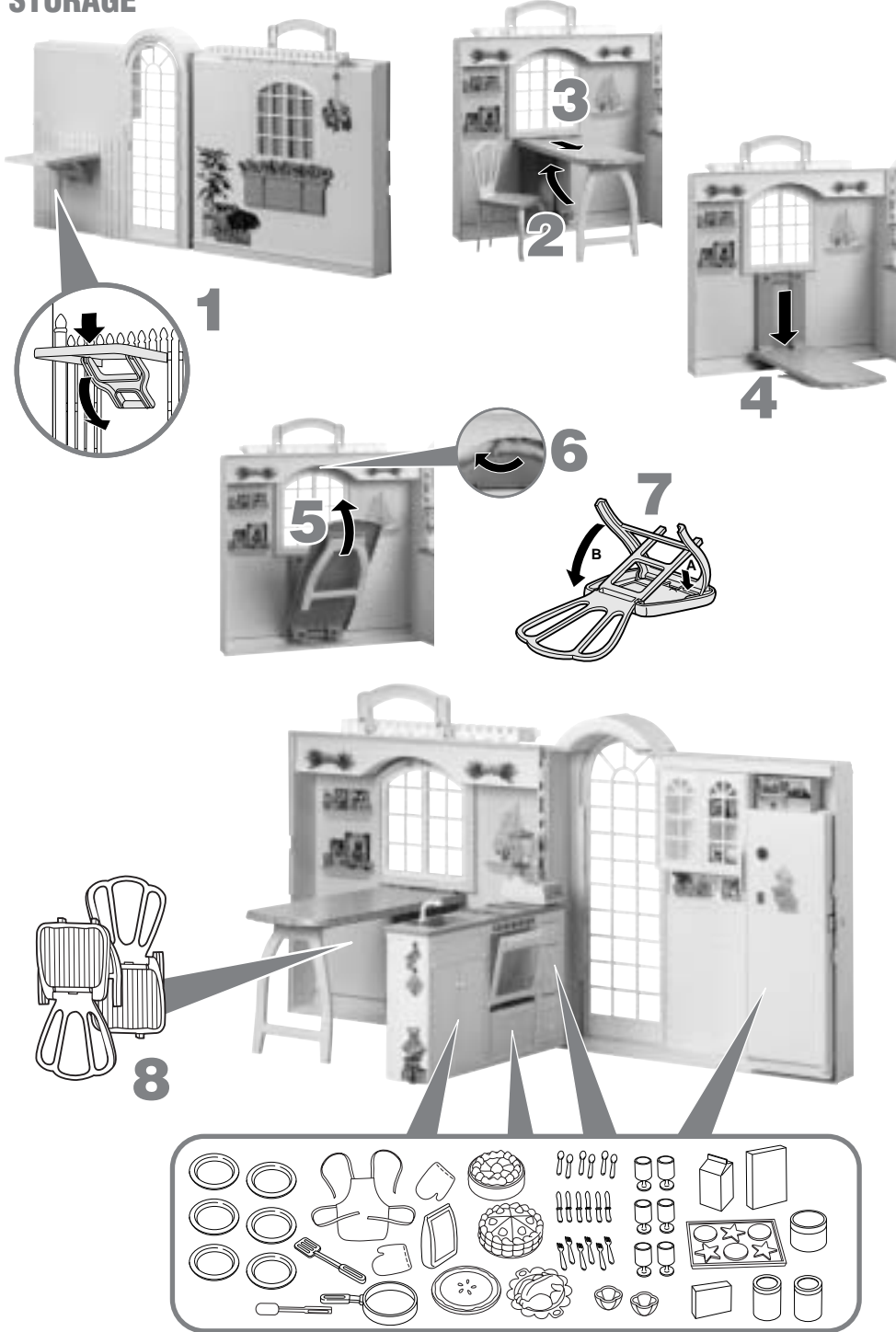
Floor, Menara Lien Hoe, Persiaran Tropicana Golf Country

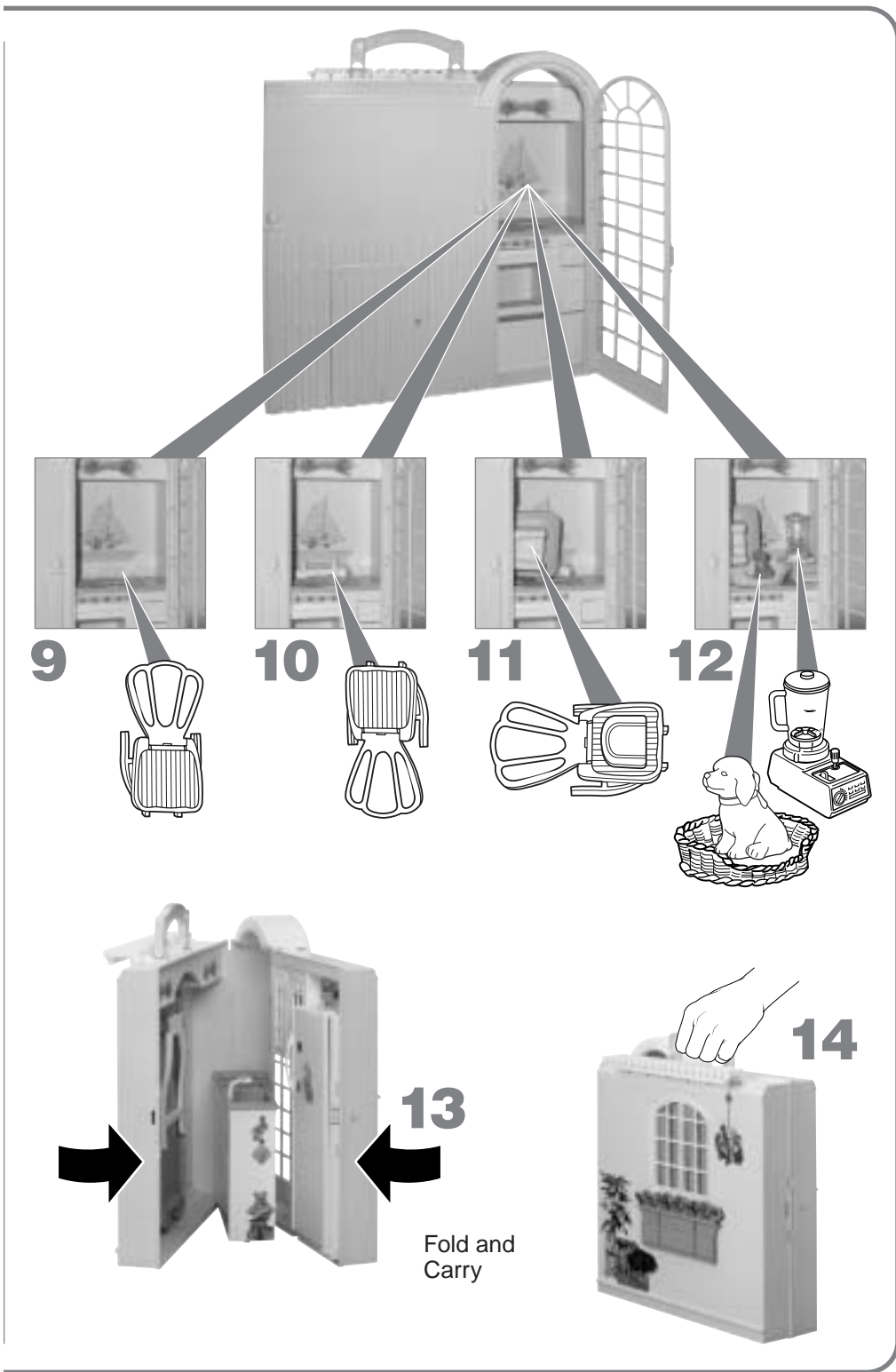
Resort, 47410 PJ. Tel:03-78803817, Fax:03-78803867.

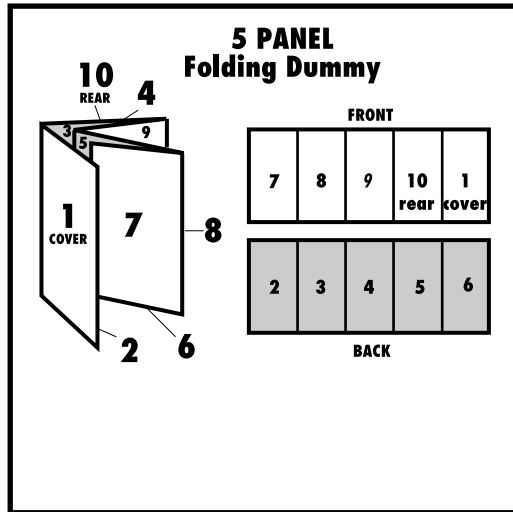
Mattel, Inc., El Segundo, CA 90245 U.S.A.

Consumer Affairs 1 (800) 524-TOYS

STORAGE







INSTRUCTION SHEET SPECIFICATIONS

Toy: _____ HF Kitchen

Toy No.: _____ B9880

Part No.: _____ 0820

Trim Size: _____ 27.5" W x 8.5" H

Folded Size: _____ 5.5" W x 8.5" H

Type of Fold: _____ 5 Panel

colors: _____ One

Colors: _____ Black

Paper Stock: _____ White Offset

Paper Weight: _____ 70 lb.

EDM No.: _____